

## Grease separators

# *EasyClean* Modular

The flexible solution for limited access / narrow entry.

The *EasyClean* Modular combines the advantages of the *EasyClean* free with maximum transportability. It is the ideal grease separator for extremely narrow entranceways that can make it difficult to transport a standard grease separator to the set-up location. This grease separator can be disassembled into small individual components and assembled at the set-up location.

Always the right choice: [smartselect.kessel.com](https://www.smartselect.kessel.com)



1 Separator component 2 Assembled grease separator 3 Direct disposal connection

# Grease separator *EasyClean Modular* Standard and Direct NS 0.25 – 4

for free-standing installation, two component version



NS 0.25/NS 0.5/NS 1: KESSEL-Norm    NS 2/NS 3/NS 4: EN 1825  
 Made of polyethylene

**Installation:** In frost-protected rooms

**Version:** Can be disassembled

**Delivery:** System completely assembled  
 (only NS 0.25/NS 0.5/NS 1)

**Note for NS 0.25/NS 0.5/NS 1:** The separated grease must be skimmed off daily in the case of weekly emptying and cleaning.

**\*Custom made product:** Delivery time on request

➤ **Accessories for NS 2/NS 3/NS 4:** Sampling chamber, refill inlet, inspection window, *SonicControl* from page 23 – 25



Illustration shows Art. no. 93 025

Illustration shows Art. no. 93 050

Illustration shows Art. no. 93 001



Illustration shows Art. no. 93 002-R

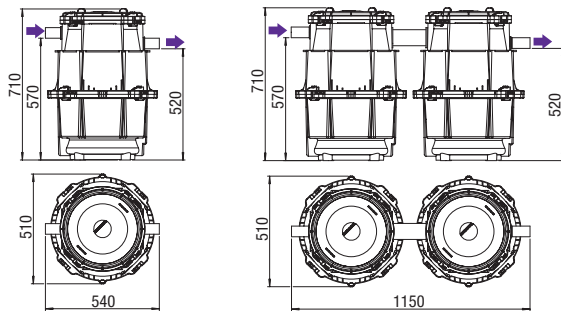


Illustration shows NS 0.25

Illustration shows NS 0.5

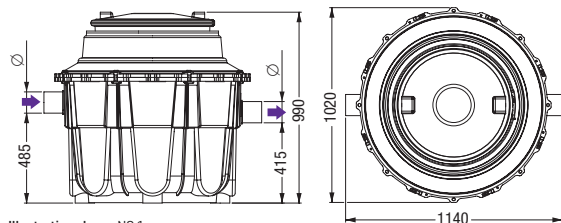


Illustration shows NS 1

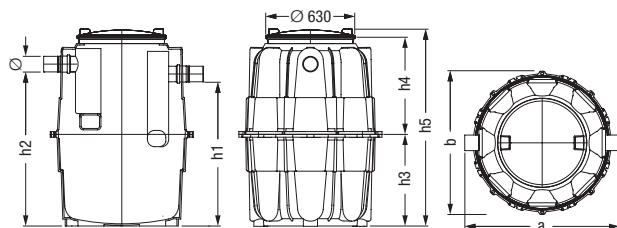


Illustration shows NS 2

## EasyClean Modular Standard

NS	Art. no.
NS 0.25	93 025
NS 0.5	93 050
NS 1	93 001
NS 2	93 002-R*
NS 3	93 003-R*
NS 4	93 004-R*

## EasyClean Modular Direct with direct disposal

NS	Art. no.
NS 2	93 002.00/D1-R*
NS 3	93 003.00/D1-R*
NS 4	93 004.00/D1-R*

\*Custom made

NS	Ø	a	b	h1	h2	h3	h4	h5	Weight	Sludge trap	Water and sludge	Grease storage
0.25	50	-	-	-	-	-	-	-	20 kg	25 l	28 l	15 l
0.5	50	-	-	-	-	-	-	-	45 kg	50 l	42 l	30 l
1	110	-	-	-	-	-	-	-	65 kg	100 l	100 l	40 l
2	110	1100	1020	1020	1090	650	690	1395	60 kg	200 l	400 l	100 l
3	110	1100	1020	1020	1090	650	690	1395	60 kg	300 l	300 l	120 l
4	110	1400	1300	1090	1160	765	790	1620	110 kg	400 l	560 l	160 l

NS 0.25/NS 0.5/NS 1: KESSEL-Norm    NS 2/NS 3/NS 4: EN 1825

Ø = Outer diameter

## Grease separator *EasyClean Modular Standard and Direct NS 1 – 4*

for free-standing installation, three component version



Following approval no. Z-54.1-473

Made of polyethylene PE-HD

**Installation:** In frost-protected rooms

**Version:** Standard or with direct disposal (only *EasyClean Modular Direct*)

**Consisting of:** Integrated sludge trap, polyethylene quick release odour tight covers

**Delivery:** System completely assembled. Screw connection can be undone to minimum installation dimensions.

**Installation:**

Ideal where access is extremely narrow.

Separator can be disassembled into 3 parts for installation opening of max. 58 cm.

Further nominal sizes, models with disposal device and on-site welding on request: [info@kessel.com](mailto:info@kessel.com)

\*Custom made product: Delivery time on request

➤ **Accessories:** Sampling chamber, *SonicControl*, refill inlet, from page 23 – 25;



### *EasyClean Modular Standard*

NS	Art. no.
NS 1	93 001-R2*
NS 2	93 002-R2*
NS 3	93 003-R2*
NS 4	93 004-R2*

### *EasyClean Modular Direct with direct disposal*

NS	Art. no.
NS 1	93 001.00/D1-R2*
NS 2	93 002.00/D1-R2*
NS 3	93 003.00/D1-R2*
NS 4	93 004.00/D1-R2*

\*Custom made

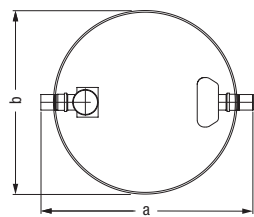
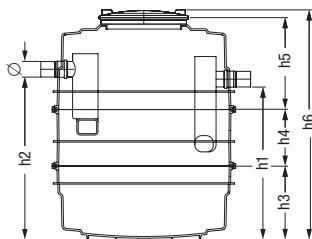


Illustration shows Standard version

#### Technical note for pages 8 – 22

Production and weather related influences can lead to deviations from our specifications in the case of free-standing separators.

For this reason, please check the height specifications in particular for their actual size before installation. Please adapt the pipework to the actual inlet and outlet dimensions before installing the grease separator. Thermal and mechanical influences must be taken into consideration.

NS	Ø	a	b	h1	h2	h3	h4	h5	h6	Weight	Sludge trap	Water and sludge	Grease storage
1	110	1120	1020	780	850	375	250	500	1236	80 kg	100 l	230 l	80 l
2	110	1120	1020	1020	1090	485	300	550	1386	80 kg	200 l	270 l	100 l
3	110	1120	1020	1020	1090	485	300	550	1386	130 kg	300 l	300 l	120 l
4	110	1500	1300	1080	1150	520	390	580	1550	130 kg	400 l	560 l	160 l

Following approval no. Z-54.1-473

Ø = Outer diameter