

The grease separator

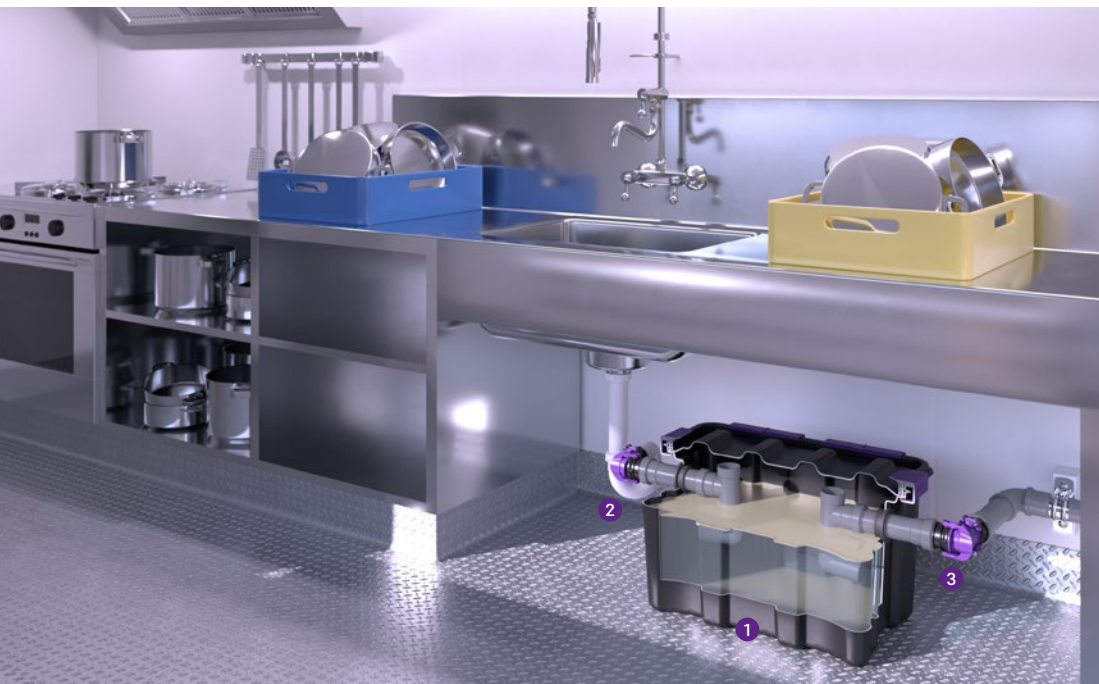
for your kitchen with small quantities of wastewater
or a requirement for multiple small separators.



Grease separator *EasyClean free UnderSink*

In the food truck, in the takeaway restaurant, in the shopping centre or in a small club: Installation of large central grease separators is not possible everywhere. If this is the case, and only small volumes of wastewater are produced, then it's a clear case for the *EasyClean* free UnderSink grease separator – optimised for free-standing set-up where space is limited.

Its low weight and compact size enable easy handling. Thanks to its 360° rotatable and vertically adjustable swivel connection, the tank is particularly convenient to remove. The *EasyClean* free UnderSink grease separator has been tested on the test bench with 0.7 l/s and is therefore ideally suitable for the wastewater discharge from a sink – efficient at a favourable price in TÜV-tested quality.



① Grease separator ② Inlet ③ Outlet

100 % corrosion-free

The *EasyClean free UnderSink* is 100 % made of polymer. That makes it resistant to aggressive wastewater and particularly durable.

100 % waterproof and odour-tight

The tank of the *EasyClean free UnderSink* grease separator is water and odour-tight. We vouch for this with our KESSEL guarantee: In addition to the statutory provision, we provide a 20-year warranty on the leak tightness, fitness for purpose and structural stability of tank.

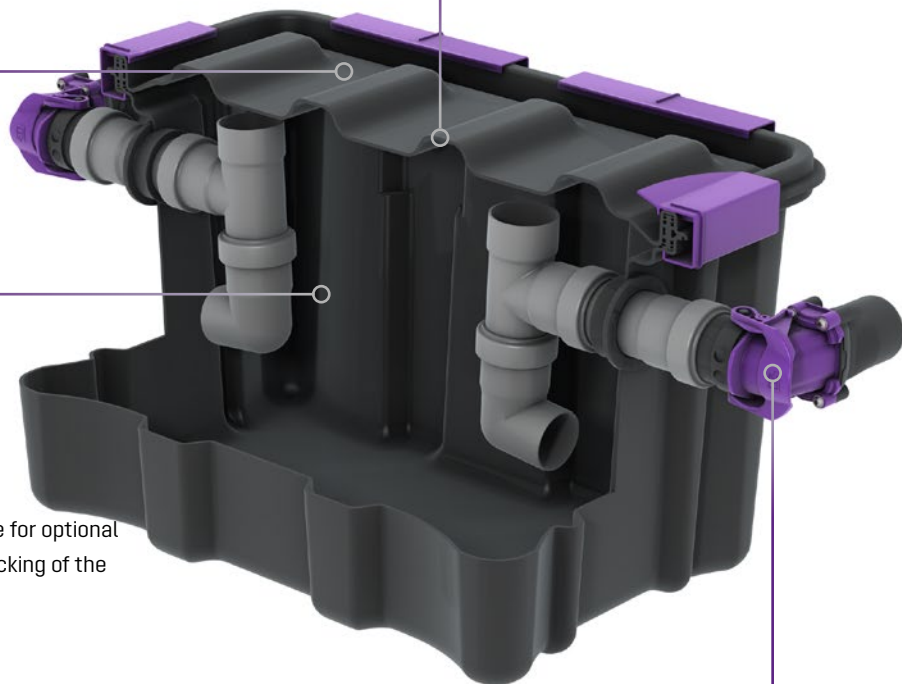
Inspection window

An inspection window is available for optional installation on site for visual checking of the grease layer thickness.



Tool-free installation

KESSEL makes the installation particularly easy for you: You do not need any tools to install the *EasyClean free UnderSink* grease separator – which also applies to the disposal.



Grease separator *EasyClean free UnderSink NS 0.7* for free-standing installation



The separator for greasy wastewater is suitable for free-standing set-up in frost-protected rooms below a sink and is manufactured without the need for metallic components in the tank. The collecting tank made of permanently resistant polymer (PP) is equipped with an integrated sludge trap. An odour-tight cover with all-round seal and clip closures makes easy access possible for cleaning and maintenance work. For easy removal, the separator has a quick-release connection to the pipe.

An inspection window for optional installation on site is available for visual checking of the grease layer thickness.



Technical data:

- Inlet/outlet Ø 50 mm
- Grease storage 8l
- Sludge trap 12l
- Total volume 33l

Material: PP

Delivery: Modular kit for assembly on site

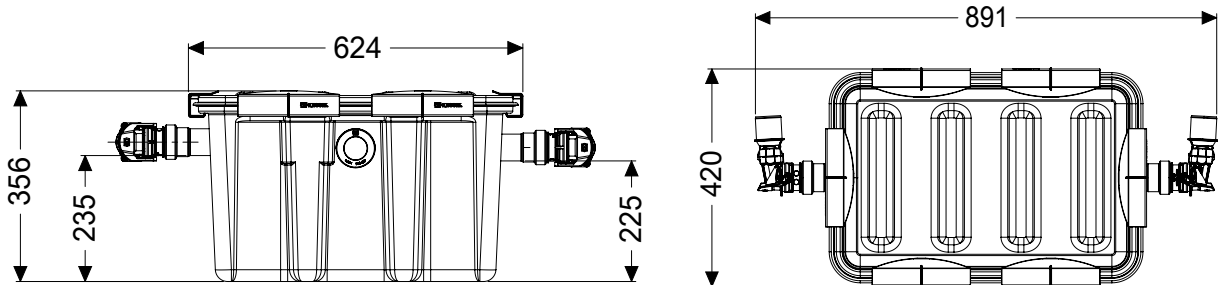
Type of disposal: manual

NS

Art. no.

0.7

93 070.00US



h1 (mm)	h2 (mm)	Inlet/outlet Ø (mm)	Installation dimension l × b (mm)	Weight (kg)	Sludge trap (l)	Water and grease (l)	Grease storage (l)	Total (l)
225	235	50	891 × 420	5	12	21	8	33

Accessories

Inspection window

Inspection window

Compatibility: For grease separators *EasyClean free UnderSink* for free-standing installation

Inclusive: High-gloss polished inspection glass

Note: Installation in drillhole on site, use hole saw with DA60

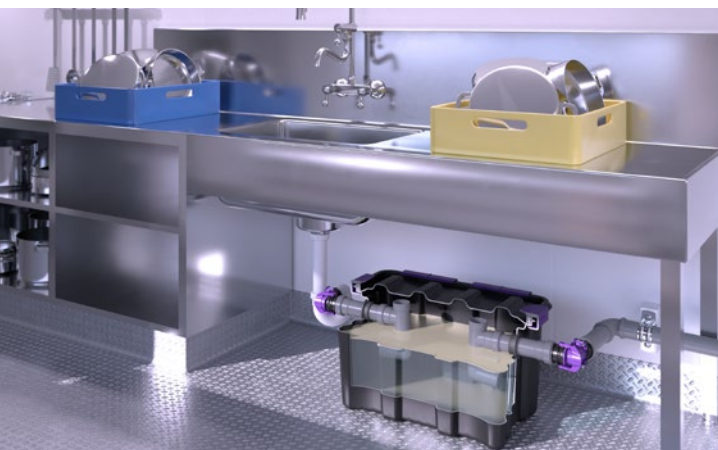


Art. no.

913 110

Grease separators *EasyClean free / ground*

The versatile solution for free and underground installation



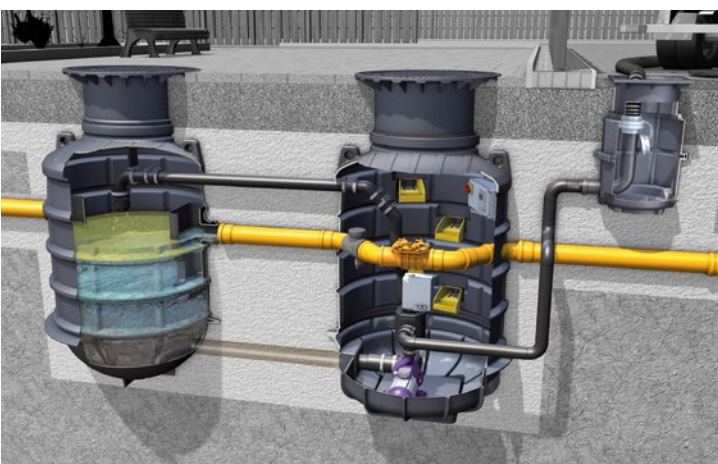
EasyClean free UnderSink for kitchens

The KESSEL grease separator *EasyClean free* combines ease of installation, cleaning performance and energy efficiency. The narrow tank shape offers two advantages: 1) the complete technology can be integrated on the base area of the separator. 2) easier to transport the grease separator through narrow entranceways and set it up directly against the wall, saving a great deal of space.

Underground installation outside the building is a space saving alternative to indoor installed separators. Here, we offer a wide range of grease separators with the *EasyClean ground* that combines the advantages of the *EasyClean free* with more usable operating space.



EasyClean free for free stranding installation for basements



EasyClean ground for underground installations

Grease separators

For further information about our grease separators have a look in our catalogue chapter 5.1.



This is KESSEL.

Since 1963, KESSEL has stood like no other company for innovative and reliable drainage technology. We have established ourselves as the impulse generator in the industry and are now a worldwide premium supplier.



Competent partner
since 1963



International player
**60+
countries**



Innovative premium supplier
**3.000+
products**



Safe employer
**550+
employees**



Sustainable company
**100+ mio. €
in sales**

During the production of our products as well as their operation on-site, we keep quality assurance, environmental protection and worker's safety at the top of our list.

We also place great value in the relationship with our customer, providing consultation, installation support, commissioning and after-sales service.

One thing is certain, our innovation, quality, reliability and service is number one in the industry.

KESSEL – Leading in drainage



Made in Germany





KESSEL Headquarters Lenting, Germany

Leading in drainage.

No matter whether the task involves discharging water, wastewater treatment or backwater protection: if the best solution is required, there is no option but KESSEL.



Backwater protection

Backwater valves
Backwater chambers



Pump technology

Backwater pumping station
Hybrid lifting station
Lifting stations
Pumping stations
Submersible pumps,
conversions and control units



Drains & channels

Bathroom drains
Floor drains
Basement drains
Outdoor drains



Separators

Grease separators
Coalescence / Oil /
Fuel separators
Sediment separators
Starch separators



Further information see
www.kessel.com



Subject to technical modifications.

KESSEL AG

Bahnhofstraße 31 • 85101 Lenting • Germany

www.kessel.com