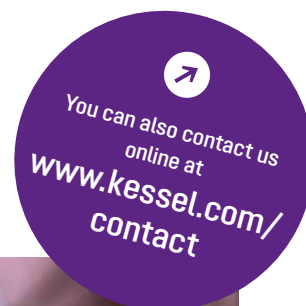


**SP
20
21**

Contact

We are here for you

Some questions are easiest answered in person.
Our experts will be happy to help.



Sales Department

Northern Europe and Far East
Tel +49 8456 / 27-310

Eastern Europe
Tel +49 8456 / 27-189

Southern Europe
Tel +49 8456 / 27-257

Western Europe an America
Tel +49 8456 / 27-246

Middle East
Tel +49 8456 / 27-341

Australia and New Zealand
Tel +49 8456 / 27-257

email
info@kessel.com

Technical support

Tel +49 8456 / 27-208
+49 8456 / 27-320
info@kessel.com

After sales service

Phone +49 8456 / 27-755
info@kessel.com

Content

1. Backwater protection 7

Accessories for electrical installation	8
Assignment PA test numbers	8
Identifying features of the <i>Pumpfix</i> and <i>Staufix</i> series	9
Backwater pumping station <i>Pumpfix F</i>	10
Automatic backwater valve <i>Staufix FKA</i>	16
Backwater valve <i>Staufix SWA</i>	20
Clean out <i>Controlfix</i>	24
Product features of the <i>Staufix</i> series	29
Backwater valve <i>StaufixControl</i> and <i>Staufix</i>	30
Backwater valve <i>Staufix Basic</i>	32
Clean out <i>Staufix Basic</i>	38
Backwater valve <i>Staufix Ø 50 / Ø 75</i>	40
Backwater valve <i>Staufix Siphon Ø 50</i>	42
Backwater pumping station <i>Pumpfix S</i>	43

2. Hybrid lifting stations 47

Backwater lifting station <i>Ecolift</i>	48
Technical module <i>Ecolift XL Mono/Duo</i>	50
Engineering chamber system with upper sections	54

3. Lifting stations 59

3.1 Lifting stations	59
Lifting station <i>Minilift F</i>	60
Lifting station <i>Minilift S</i>	61
Lifting station <i>Aqualift S</i>	64
Lifting station <i>Aqualift S Compact</i>	66
Lifting station <i>Aqualift S Compact Tronic</i>	68
Lifting station <i>Aqualift S Tronic Mono/Duo</i>	69
Lifting station <i>Aqualift S 100 Mono</i>	71
Lifting station <i>Aqualift S 100 Mono/Duo Tronic</i>	72
Lifting station <i>Aqualift S 200 Duo Tronic</i>	73
Lifting station <i>Aqualift F Compact Mono/Duo</i>	71
Wastewater station <i>Aqualift F Mono Underground</i>	75
Wastewater station <i>Aqualift F Mono/Duo Tronic Underground</i>	76
Lifting station <i>Aqualift F Compact Mono/Duo</i>	77
Lifting station <i>Aqualift F Basic</i>	79

Lifting station <i>Aqualift F</i>	80
Lifting station <i>Aqualift F Duo</i>	82
Lifting station <i>Aqualift F XL</i>	84

3.2 Pumping stations **87**

Pumping station <i>Aqualift S</i> in the chamber system	88
Pumping station <i>Aqualift S XL</i> in the chamber system	92
Pumping station <i>Aqualift S Basic</i>	94
Pumping station <i>Aqualift S Basic Tronic</i>	95
Pumping station <i>Aqualift F Basic</i>	96
Pumping station <i>Aqualift F Basic Tronic</i>	97
Pumping station <i>Aqualift F</i> in the chamber system	98
Pumping station <i>Aqualift S</i> and <i>F XL</i> in the engineering chamber system	99
Pumping station <i>Aqualift F XL</i> in the engineering system base	100
Pumping station <i>Aqualift S</i> and <i>F XL</i> in the twin-walled reinforced pipe chamber	101
Engineering chamber system with upper sections	102
Overview of control units	106

4. Drains and channels **109**

Basement drain <i>Drehfix</i>	110
Basement drain <i>The Universal</i>	112
Light liquid trap	113
Insert gratings and accessories for bathroom drains	115
Insert gratings and accessories for basement drains and <i>Ferrofix</i> stainless steel drains	116
Inserts, covers and accessories for shower channels	117
Inserts, covers and accessories for <i>Scada</i> wall drain	121
Covers, insert gratings and accessories for yard and parking deck drains	121
Insert gratings and accessories for patio, gutter and roof drains	122
Odour traps	123

5. Separators **125**

Grease separator "SE"	127
Grease separator Euro "E+S" PV	130
Grease separator <i>EasyClean</i> free Auto Mix & Pump	131

Grease separator Euro "E+S" M	132
Grease separator <i>EasyClean</i> free Mix & Pump	133
Grease separator Euro "D+S-P1"	134
Grease separator <i>EasyClean</i> free Auto Mix	135
Grease separator Euro "D+S"	136
Grease separator <i>EasyClean</i> free Mix	137
Grease separator Euro D and G	138
Grease separator, <i>EasyClean</i> free, Direct and Standard	139
Grease separator, <i>EasyClean</i> free Basic	140
Sampling chamber	141
Grease separator, <i>EasyClean</i> ground Standard	143
Grease layer thickness measuring device <i>SonicControl</i>	144
Oil/fuel and coalescence separator <i>EasyOil</i> ground	145
Automatic measuring device <i>SonicControl</i>	147

6. Septic systems **149**

<i>InnoClean</i> PLUS, 2nd generation	150
<i>InnoClean</i> , 1st generation	152
Renovation/retrofit kit	154

7. Rainwater harvesting **157**







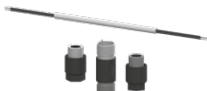
<i>Aqabull</i>	158
<i>Aqadive</i>	159
Rainwater filters	160

8. Article index **161**

1. Backwater protection

Accessories for electrical installation	8	Backwater pumping station <i>Pumpfix F</i>	10
Assignment PA test numbers	8	Automatic backwater valve <i>Staufix FKA</i>	16
Identifying features of the <i>Pumpfix</i> and <i>Staufix</i> series	9	Backwater valve <i>Staufix SWA</i>	20
Product features of the <i>Staufix</i> series	29	Clean out <i>Controlfix</i>	24
		Backwater valve <i>StaufixControl</i> and <i>Staufix</i>	30
		Backwater valve <i>Staufix Basic</i>	32
		Clean out <i>Staufix Basic</i>	38
		Backwater valve <i>Staufix Ø 50 / Ø 75</i>	40
		Backwater valve <i>Staufix Siphon Ø 50</i>	42
		Backwater pumping station <i>Pumpfix S</i>	43

Accessories for electrical installation

	Suitable for	<i>Pumpfix F</i>	<i>Pumpfix F Standard</i>	<i>Staufix FKA</i>	<i>Staufix FKA Standard</i>	<i>Ecolift</i>
Adapter set optical probe Art. no. 80 892		X	X	X	X	X
Connector set for control unit <i>FKA, Pumpfix, Ecolift</i> Art. no. 80 893		X	X	X	X	X
Cable accessories, connection set for cable 0.75 mm ² Art. no. 80 894		X	X	X	X	X
Cable accessories, connection set for cable 1.5 mm ² Art. no. 80 895		X	X	-	-	X
Cable accessories, extension for pump Art. no. 80 891		X	X	-	-	X
Cable accessories, extension for pump Art. no. 80 890		X	X	X	X	X
Cable accessories, extension for probe Art. no. 80 889		X	X	X	X	X

Assignment PA test numbers

PA test number	KESSEL art. no.	Product description	Page
PA-I 2387	27 100	Basement drain with backwater valve	-
PA-I 2421	70 100 – 70 200	<i>Staufix</i> clean out made of PVC Ø 110 – 200 "Orange"	39
PA-I 2694		<i>Staufix</i> drain body, Ø 110 – 200 "Orange"	-
PA-I 2782	73 100 – 73 200	<i>Staufix</i> backwater valve Ø 110 – 200	33
	77 100 – 77 200	<i>Staufix</i> backwater valve Ø 110 – 200, with backwater warning device	
	78 100 – 78 200	<i>Staufix</i> backwater valve Ø 110 – 200, with control & warning device	
PA-I 3089	27 300	<i>Drehfix</i> Ø 110, exposed, with twin backwater valve	111
	27 500	<i>Drehfix</i> Ø 110, exposed, with triple backwater valve	
	28 900	<i>Drehfix</i> Ø 110, floor slab, with twin backwater valve	
	28 950	<i>Drehfix</i> Ø 110, floor slab, with triple backwater valve	
PA-I 3090	28 400	<i>Pumpfix</i> Ø 110, floor slab, with single backwater valve	46
	28 450	<i>Pumpfix</i> Ø 110, floor slab, with twin backwater valve	
PA-I 3090	28 451	Basement drain <i>Pumpfix</i> Ø 110, with twin backwater valve	44
PA-I 3662	73 1(...).10	<i>Staufix SWA</i> , Ø 110 – 160, exposed "black"	23
	78 1(...).10	<i>Staufix SWA</i> , Ø 110 – 160, exposed "black", with control and warning device	
	73 1(...).10S (X)	<i>Staufix SWA</i> , Ø 110 – 160, floor slab, "black"	22
	78 1(...).10S (X)	<i>Staufix SWA</i> , Ø 110 – 160, floor slab, "black", with control and warning device	
PA-I 3664	83 1(..)	<i>Staufix FKA</i> , Ø 110 – 160, exposed "black"	19
	83 1(..)S (X)	<i>Staufix FKA</i> , Ø 110 – 160, floor slab "black", with control and warning device	18
PA-I 4051	27 611, 27 621	<i>The Universal</i> with backwater valve Ø 110	112

Identifying features

for Pumpfix F, Staufix FKA, Staufix SWA and Staufix

Old product range

- Locking of drain body and cover using brass nut



- One cover



- Black flaps



- Non-removable sockets



Cover plates up to 01/2020

- Square seal for the cover plate (System 400 upper section)

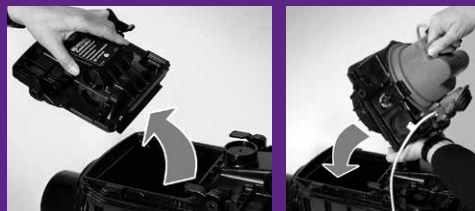


New product range

- Locking of drain body and cover with quick-release closures



- Two covers



- Red/violet flaps



- Removable sockets and spigot



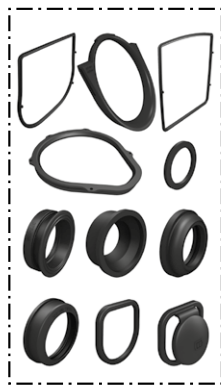
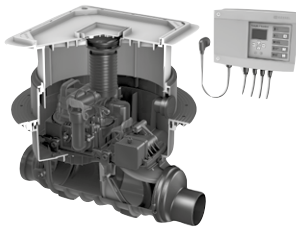
Cover plates beginning 02/2020

- Round seal for the cover plate (System 400 upper section)

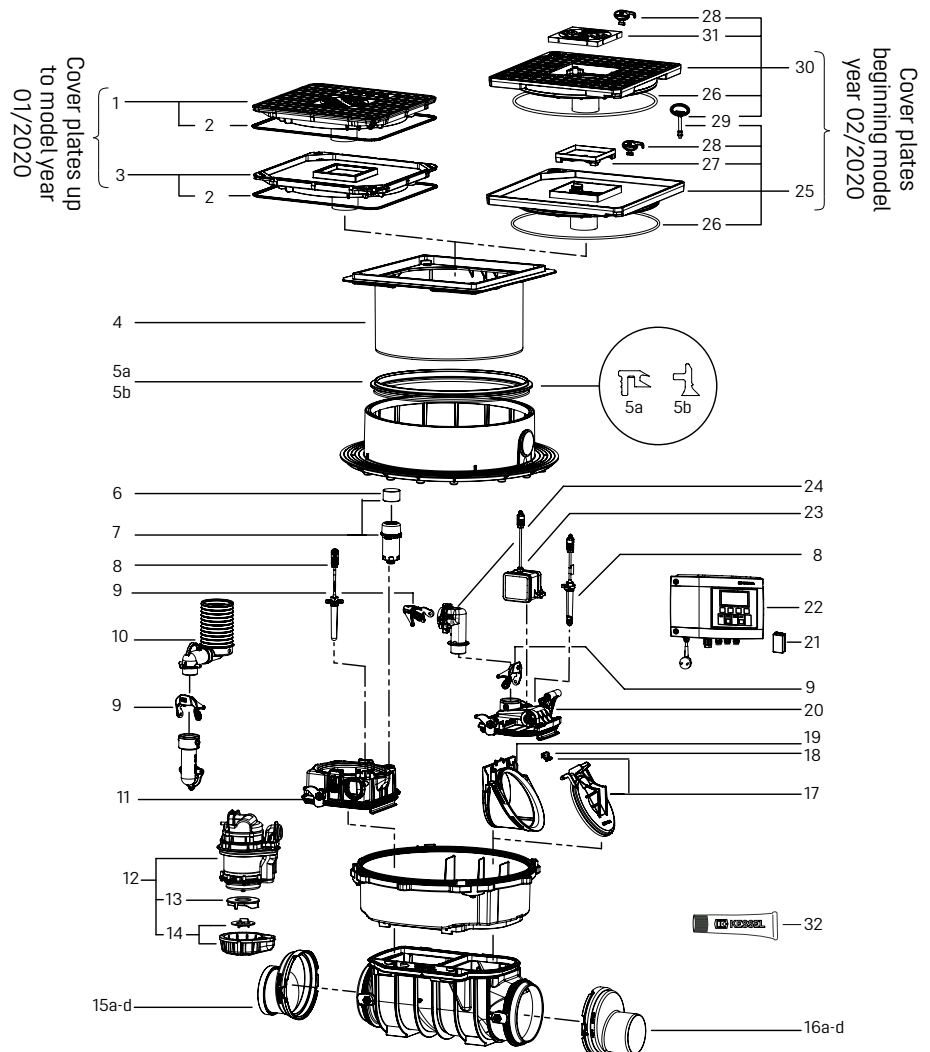


Backwater pumping station *Pumpfix F*

Installation in the floor slab, beginning model year 01/2011



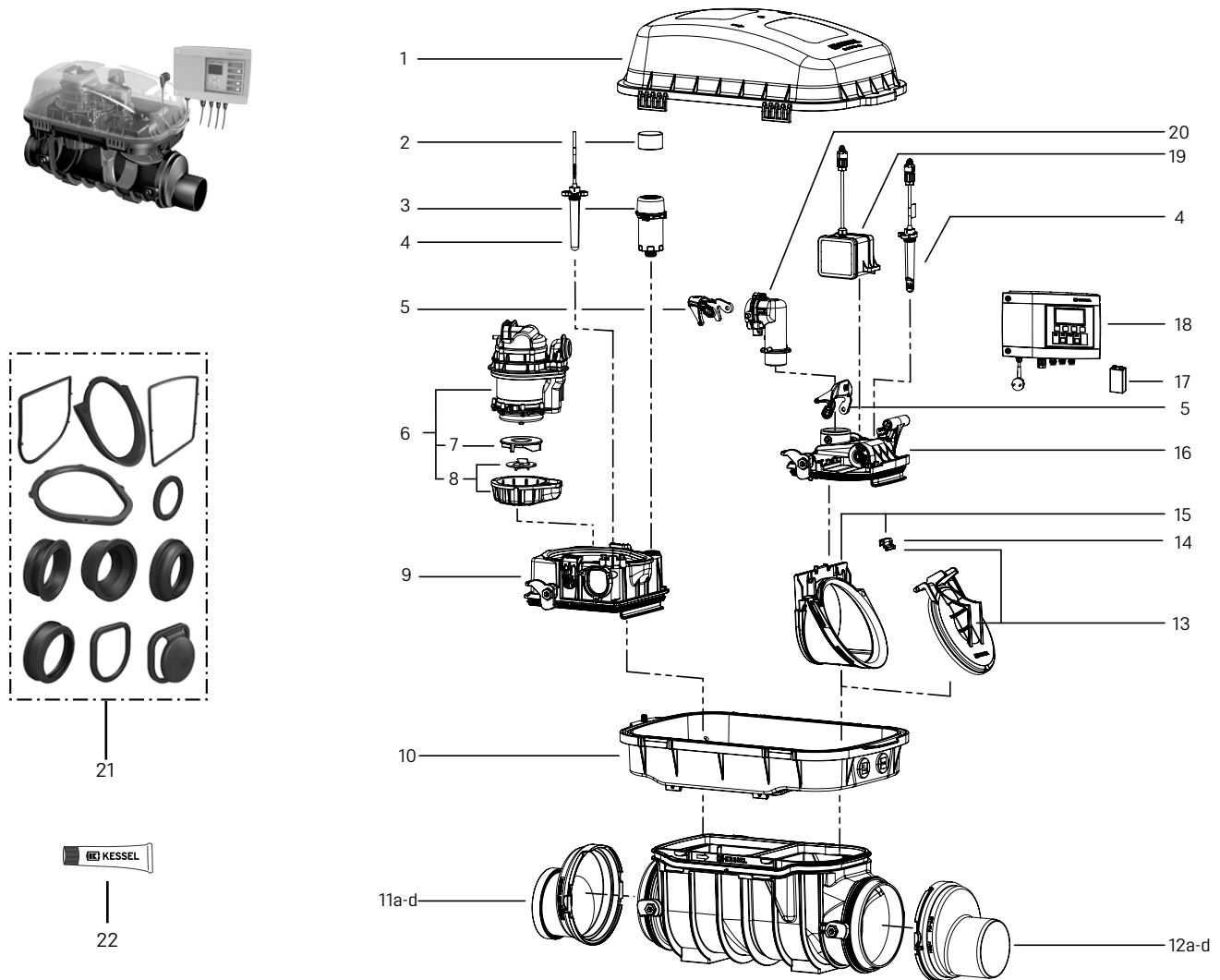
33



Item	Designation	Art. no.	Item	Designation	Art. no.
1	Cover plate, black, with drain and seal, up to model year 01/2020	83 046	16	Spigot incl. seal	
2	Seal for cover plate 384 × 384 mm	680 025	16a	∅ 110	83 081
3	Cover plate, tileable, with drain, <i>Multistop</i> and seal, up to 01/2020	83 045	16b	∅ 125	83 082
4	Upper section, ∅ 330 mm, height-adjustable up to 170 mm, beginning 02/2020	830 061	16c	∅ 160	83 083
5	Seal for upper section		16d	∅ 200	83 084
5a	up to model year 06/2014	680 026	17	Motor-driven backwater flap, with flap holder	80 038
5b	beginning model year 07/2014	680 150	18	Flap holder	680 101
6	Activated carbon filter (5 ea.)	28 061	19	Slide-in flap housing for motor-driven flap with flap holder	80 039
7	Ventilation with activated carbon filter	28 060	20	Lockable cover, Comfort outlet side	28 056
8	Spare parts set, optical probe, 5 m cable with 3 adapters	80 888	21	Battery, 9 V block	680 034
9	One-handed closure for backflow preventer	680 018	22	Control unit, Comfort 230 V	28 071
10	Connector drain ∅ 75, with seal	680 075	23	Motor, ready to plug in, 5 m cable	80 076
11	Lockable cover, Comfort inlet side, with drain connection	28 054	24	Pressure pipe connection, <i>Pumpfix F</i>	
12	Replacement pump KTP/SPZ 1000 230 V, with 5 m cable	28 351	25	Cover plate, tileable with drain body, <i>Multistop</i> , 366 × 366 mm, beginning 02/2020	830 045
13	Impeller KTP 1000, without intake cover	680 035	26	Seal for cover plate, System 330 mm	686 114
14	Replacement macerator set	28 075	27	Drain cover, tileable, <i>Lock & Lift</i> , ABS	680 224
15	Socket incl. seal		28	Release key for <i>Lock & Lift</i> insert gratings	680 702
15a	∅ 110	83 085	29	Release key for <i>Lock & Lift</i> cover plates	67 007
15b	∅ 125	83 086	30	Cover plate, black, with drain body, <i>Multistop</i> , 366 × 366 mm, beginning 02/2020	830 046
15c	∅ 160	83 087	31	Slotted insert grating, 138 × 138 mm, polymer	60 101S
15d	∅ 200	83 088	32	High-performance grease for backwater valves, 12 g	681 001
			33	Seal set for <i>Pumpfix F</i> and <i>Ecolift</i>	70 319

Backwater pumping station *Pumpfix F*

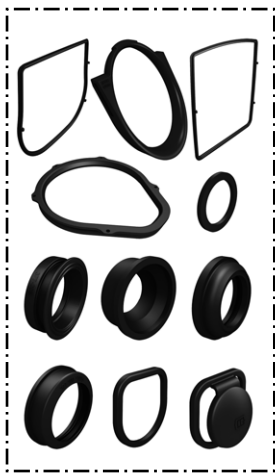
Installation in an exposed wastewater pipe, beginning model year 01/2011



Item	Designation	Art. no.	Item	Designation	Art. no.
1	Protective cover, transparent	83 031	12	Spigot incl. seal	
2	Activated carbon filter (5 ea.)	28 061	12a	Ø 110	83 081
3	Ventilation with activated carbon filter	28 060	12b	Ø 125	83 082
4	Spare parts set, optical probe, 5 m cable, with 3 adapters	80 888	12c	Ø 160	83 083
5	One-handed closure for backflow preventer	680 018	12d	Ø 200	83 084
6	Replacement pump KTP/SPZ 1000, 230 V, with 5 m cable	28 351	13	Motor-driven backwater flap, with flap holder	80 038
7	Impeller KTP/SPZ 1000, without intake cover	680 035	14	Flap holder	680 101
8	Replacement macerator set	28 075	15	Slide-in flap housing for motor-driven flap with flap holder	80 039
9	Lockable cover, inlet side	28 052	16	Lockable cover, Comfort outlet side	28 056
10	Upper section for attaching a protective cover	83 032	17	Battery, 9 V block	680 034
11	Socket incl. seal		18	Control unit, Comfort 230 V	28 071
11a	Ø 110	83 085	19	Motor, ready to plug in, 5 m cable	80 076
11b	Ø 125	83 086	20	Pressure pipe connection, <i>Pumpfix F</i>	680 104
11c	Ø 160	83 087	21	Seal set for <i>Pumpfix F</i> and <i>Ecolift</i>	70 319
11d	Ø 200	83 088	22	High-performance grease for backwater valves, 12 g	681 001

Backwater pumping station *Pumpfix F Standard*

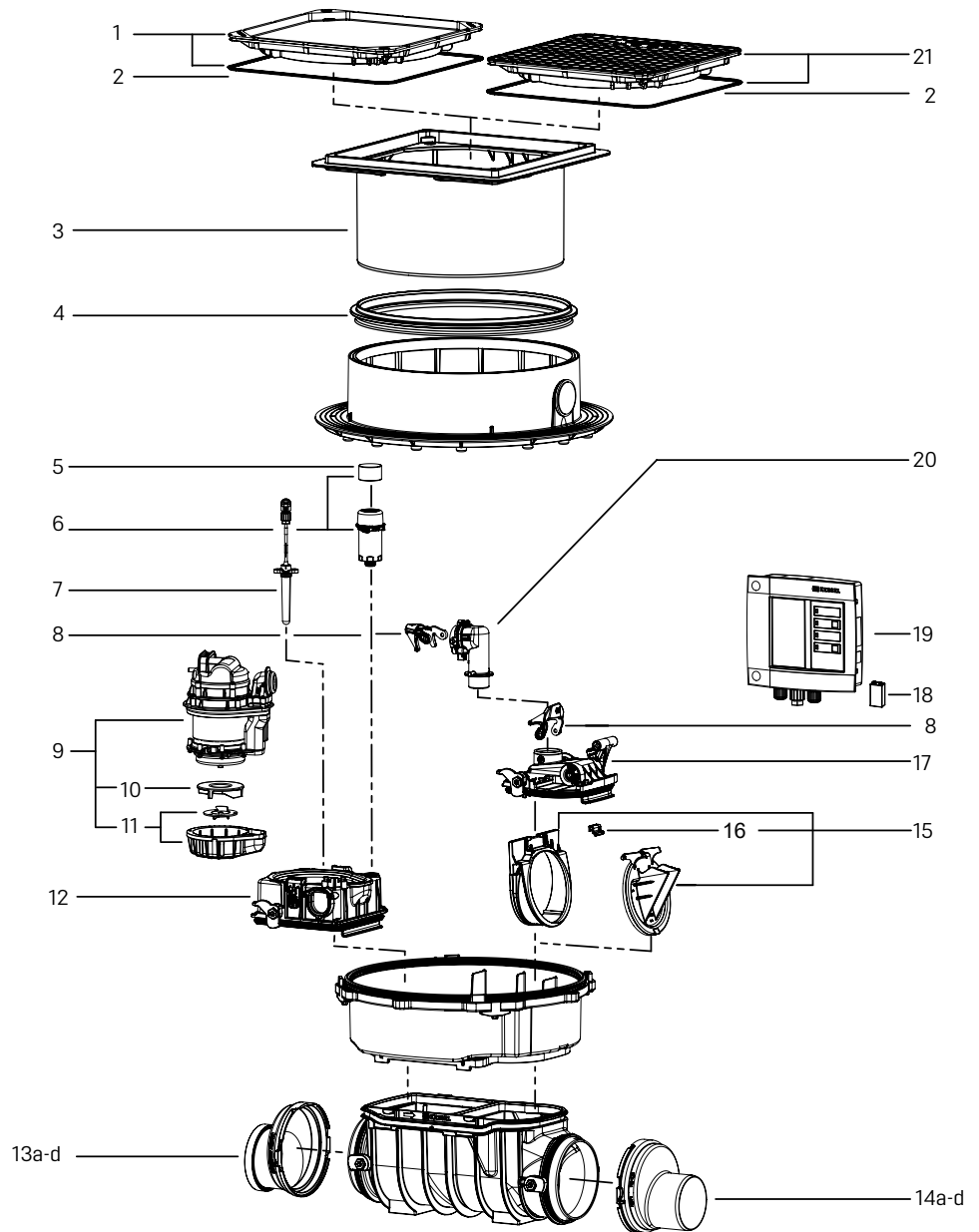
Installation in the floor slab, up to model year 01/2011



22



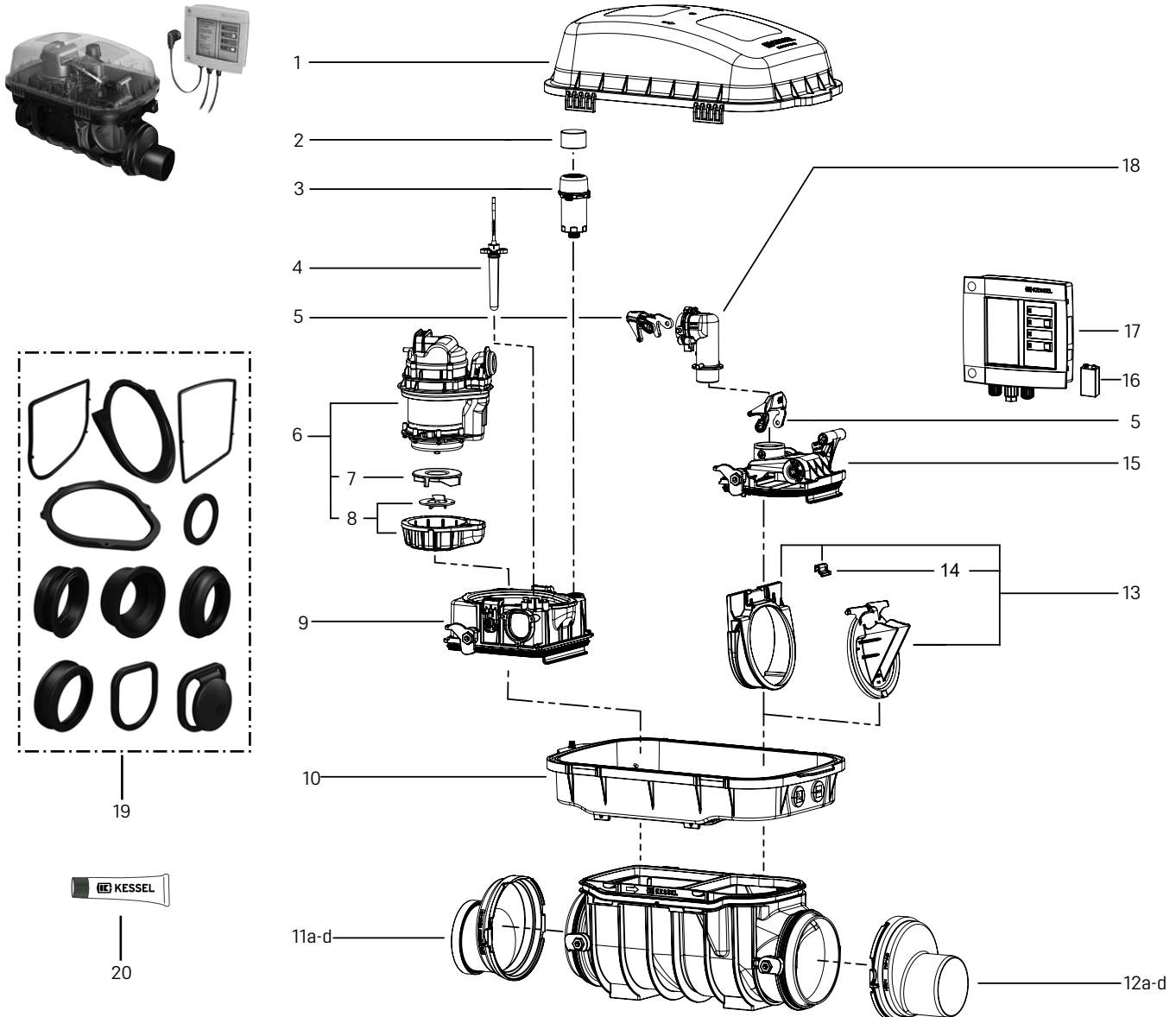
23



Item	Designation	Art. no.	Item	Designation	Art. no.
1	Cover plate, tileable, surface water resistant, 384 × 384 mm with seal	83 052	13d	Ø 200	83 088
2	Seal for cover plate 384 × 384 mm	680 025	14	Spigot incl. seal	
3	Upper section, height-adjustable up to 180 mm	83 061	14a	Ø 110	83 081
4	Seal for upper section	680 026	14b	Ø 125	83 082
5	Activated carbon filter (5 ea.)	28 061	14c	Ø 160	83 083
6	Ventilation incl. activated carbon filter	28 060	14d	Ø 200	83 084
7	Spare parts set, optical probe, 5 m cable, with 3 adapters	80 888	15	Slide-in flap housing with mechanical flap and flap holder	80 041
8	One-handed closure for backflow preventer	680 018	16	Flap holder	680 101
9	Replacement pump KTP/SPZ 1000, 230 V, with 5 m cable	28 351	17	Lockable cover, <i>Pumpfix F</i> , outlet side	28 053
10	Impeller KTP/SPZ 1000, without intake cover	680 035	18	Battery, 9 V block	680 034
11	Replacement macerator set	28 075	19	Control unit, Standard 230 V, <i>Pumpfix F Standard</i>	28 073
12	Lockable cover, inlet side	28 052	20	Pressure pipe connection, <i>Pumpfix F</i>	680 104
13	Socket incl. seal		21	Cover plate, black, surface water resistant, 384 × 384 mm, with seal	83 050
13a	Ø 110	83 085	22	Seal set for <i>Pumpfix F</i> and <i>Ecolift</i>	70 319
13b	Ø 125	83 086	23	High-performance grease for backwater valves, 12 g	681 001
13c	Ø 160	83 087			

Backwater pumping station *Pumpfix F Standard*

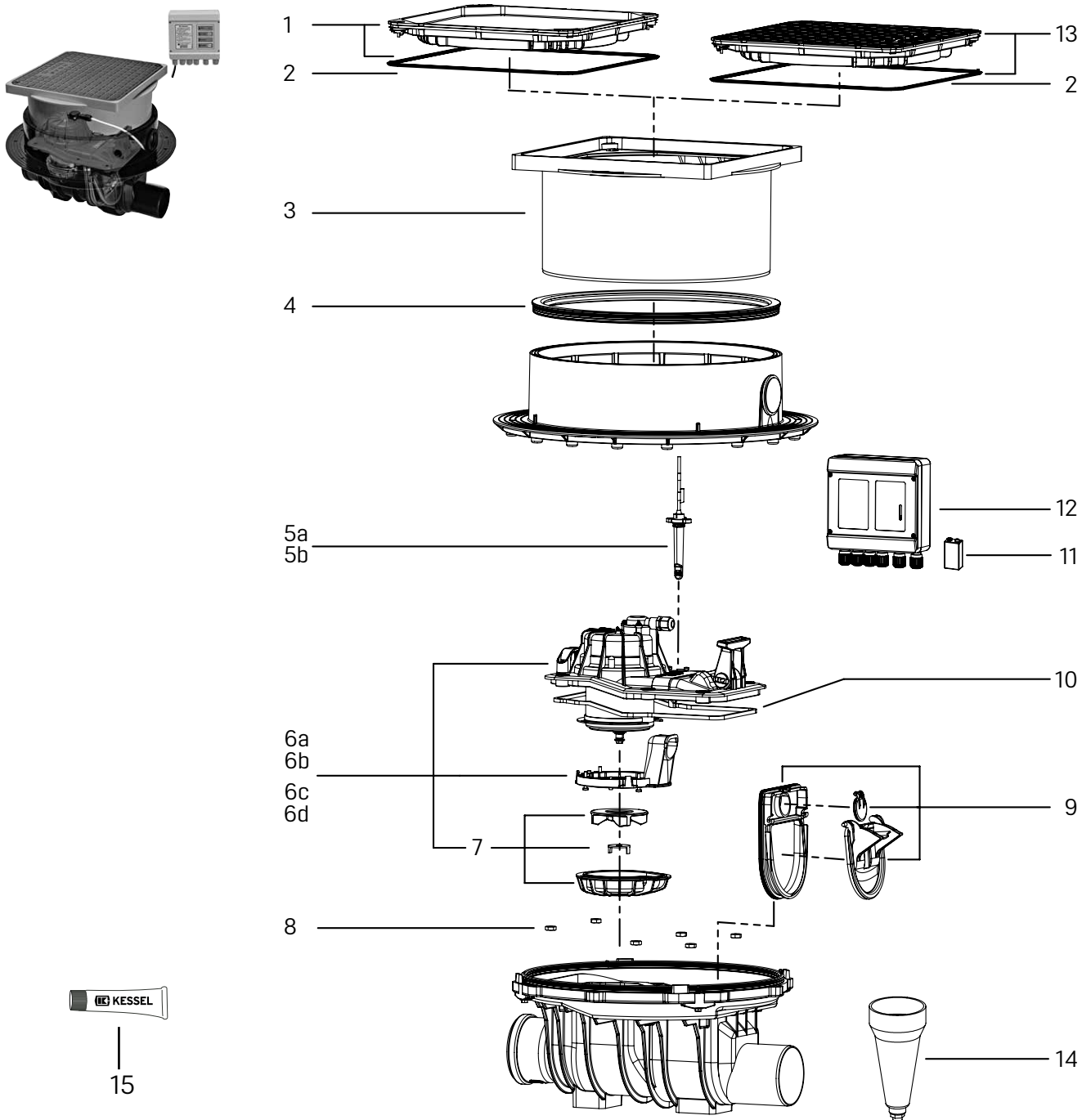
Installation in an exposed wastewater pipe, up to model year 01/2011



Item	Designation	Art. no.	Item	Designation	Art. no.
1	Protective cover, transparent	83 031	11d	Ø 200	83 088
2	Activated carbon filter (5 ea.)	28 061	12	Spigot incl. seal	
3	Ventilation incl. activated carbon filter	28 060	12a	Ø 110	83 081
4	Spare parts set, optical probe, 5 m cable with 3 adapters	80 888	12b	Ø 125	83 082
5	One-handed closure for backflow preventer	680 018	12c	Ø 160	83 083
6	Replacement pump KTP/SPZ 1000, 230 V, with 5 m cable	28 351	12d	Ø 200	83 084
7	Impeller KTP/SPZ 1000, without intake cover	680 035	13	Slide-in flap housing with mechanical flap and flap holder	80 041
8	Replacement macerator set	28 075	14	Flap holder	680 101
9	Lockable cover, inlet side	28 052	15	Lockable cover, <i>Pumpfix F</i> , outlet side	28 053
10	Upper section for attaching a protective cover	83 032	16	Battery, 9 V block	680 034
11	Socket incl. seal		17	Control unit, Standard 230 V, <i>Pumpfix F Standard</i>	28 073
11a	Ø 110	83 085	18	Pressure pipe connection, <i>Pumpfix F</i>	680 104
11b	Ø 125	83 086	19	Seal set for <i>Pumpfix F</i> and <i>Ecolift</i>	70 319
11c	Ø 160	83 087	20	High-performance grease for backwater valves, 12 g	681 001

Backwater pumping station *Pumpfix F*

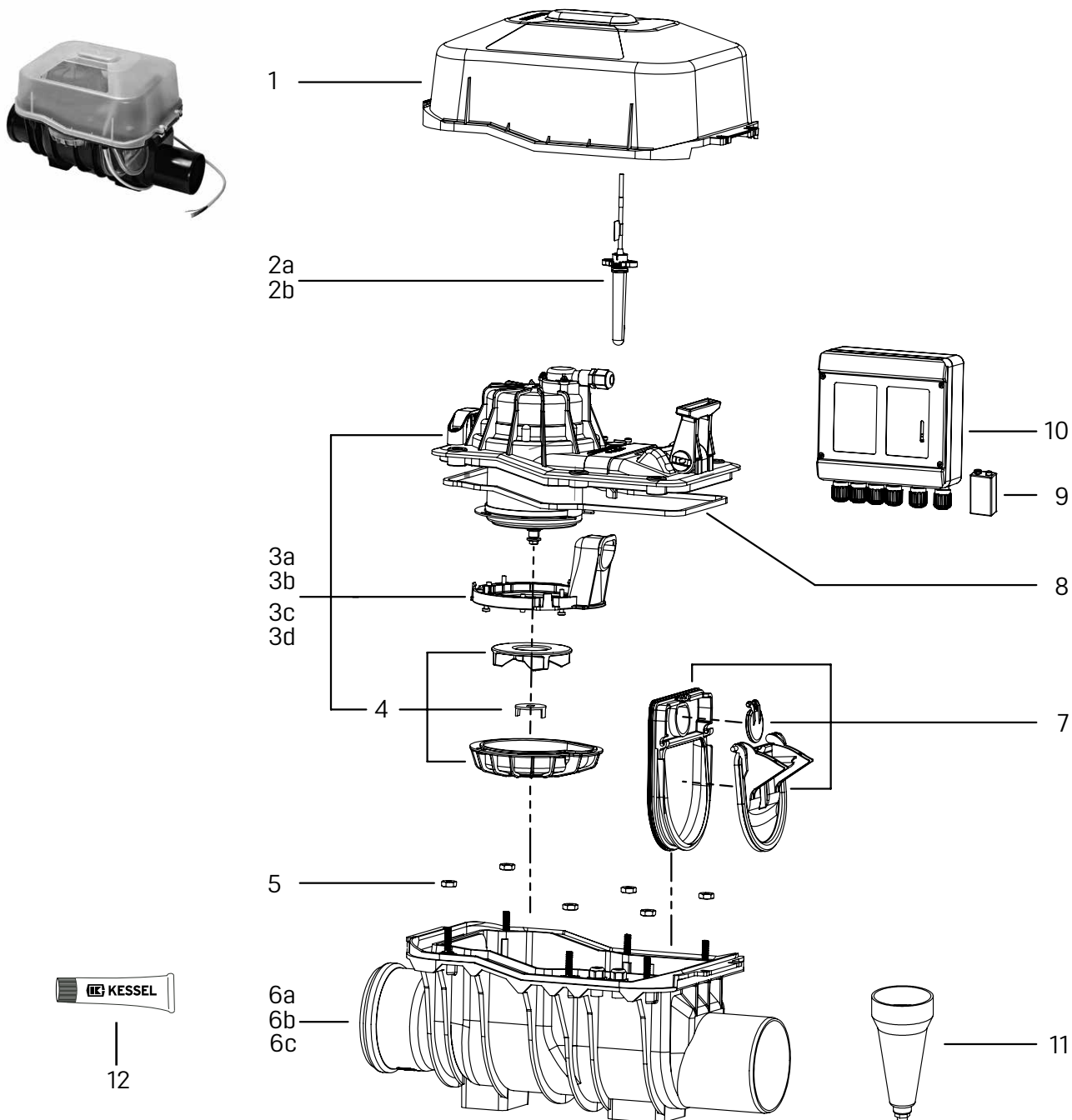
Installation in the floor slab, up to model year 12/2010



Item	Designation	Art. no.	Item	Designation	Art. no.
1	Cover plate, tileable, surface water resistant, 384 × 384 mm with seal	83 052	6d	incl. motor, impeller, macerator, pump housing, 15 m cable, Ø 160	680 042
2	Seal for cover plate 384 × 384 mm	680 025	7	Pump housing lower section with macerator and impeller	680 043
3	Upper section, height-adjustable up to 180 mm	83 061	8	Hexagon nut set, M8, A/F17 (6 ea.)	680 132
4	Seal for upper section	680 150	9	Slide-in flap housing with backwater and non-return flap (3-piece)	680 038
5	Spare parts set, optical probe with 3 adapters		10	Seal for screwable lockable cover	70 202
5a	for Ø 110/125/160 with 5 m cable	80 888	11	Battery, 9 V block	680 034
5b	for Ø 110/125/160 with 15 m cable	80 988	12	Control unit <i>Pumpfix F</i> 230 V, up to model year 12/2010	28 070
6	Replacement pump, <i>Pumpfix F</i>		13	Cover plate, black, surface water resistant, 384 × 384 mm, with seal	83 050
6a	incl. motor, impeller, macerator, pump housing, 5 m cable, Ø 110/125	680 040	14	Test funnel with seal	70 214
6b	incl. motor, impeller, macerator, pump housing, 5 m cable, Ø 160	680 039	15	High-performance grease for backwater valves, 12 g	681 001
6c	incl. motor, impeller, macerator, pump housing, 15 m cable, Ø 110/125	680 041			

Backwater pumping station *Pumpfix F*

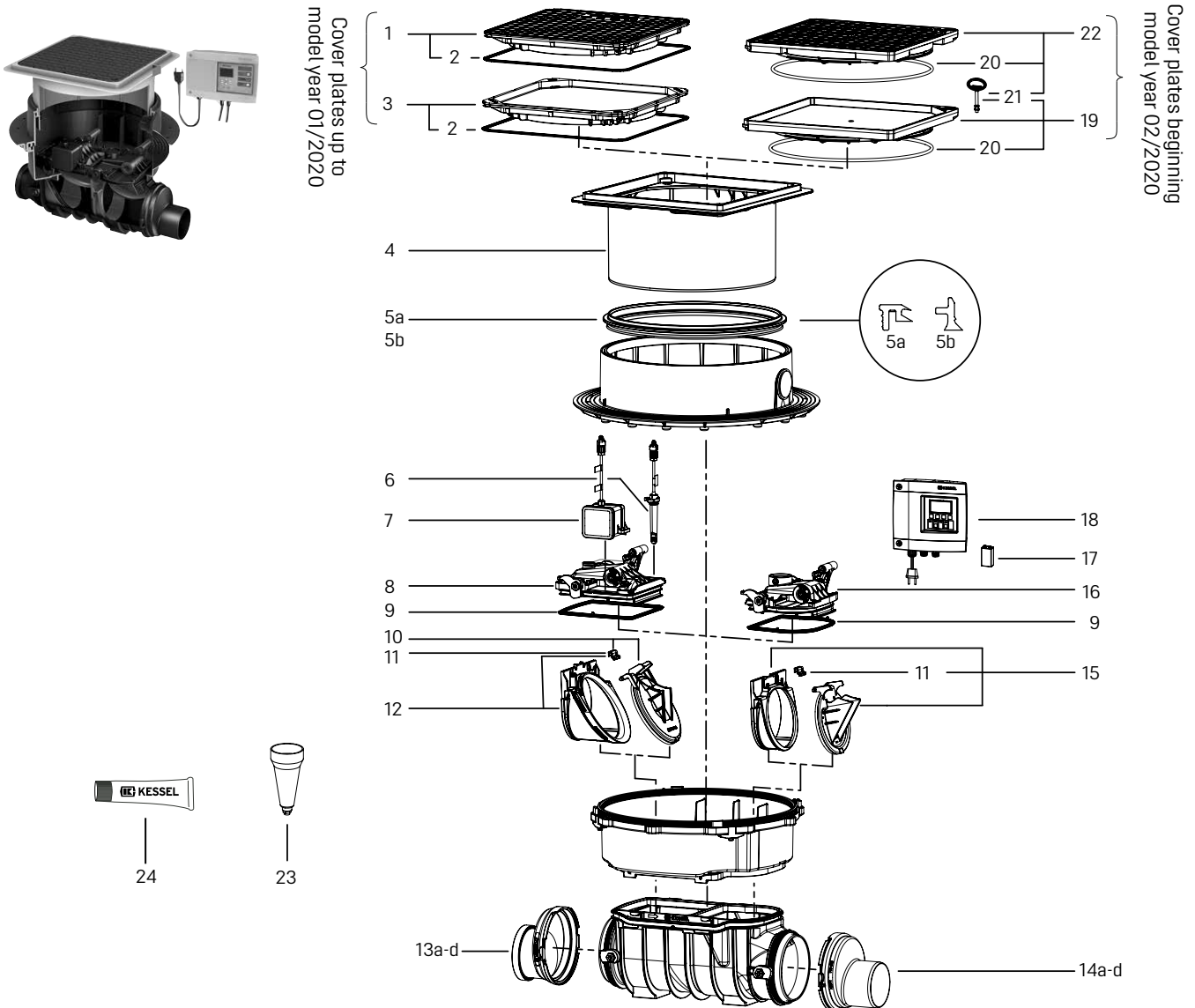
Installation in an exposed wastewater pipe, up to model year 12/2010



Item	Designation	Art. no.	Item	Designation	Art. no.
1	Protective cover, transparent, screwed	83 030	6	Drain body without socket seal	
2	Spare parts set, optical probe with 3 adapters		6a	Ø 110	680 022
2a	for Ø 110/125/160 with 5 m cable	80 888	6b	Ø 125	680 023
2b	for Ø 110/125/160 with 15 m cable	80 988	6c	Ø 160	680 024
3	Replacement pump, <i>Pumpfix F</i>		7	Slide-in flap housing with backwater and non-return flap (3-piece)	680 038
3a	incl. motor, impeller, macerator, pump housing, 5 m cable, Ø 110/125	680 040	8	Seal for screwable lockable cover	70 202
3b	incl. motor, impeller, macerator, pump housing, 5 m cable, Ø 160	680 039	9	Battery, 9 V block	680 034
3c	incl. motor, impeller, macerator, pump housing, 15 m cable, Ø 110/125	680 041	10	Control unit <i>Pumpfix F</i> 230 V, up to model year 12/2010	28 070
3d	incl. motor, impeller, macerator, pump housing, 15 m cable, Ø 160	680 042	11	Test funnel with seal	70 214
4	Pump housing lower section with macerator and impeller	680 043	12	High-performance grease for backwater valves, 12 g	681 001
5	Hexagon nut set, M8, A/F17 (6 each)	680 132			

Backwater valve *Staufix FKA*

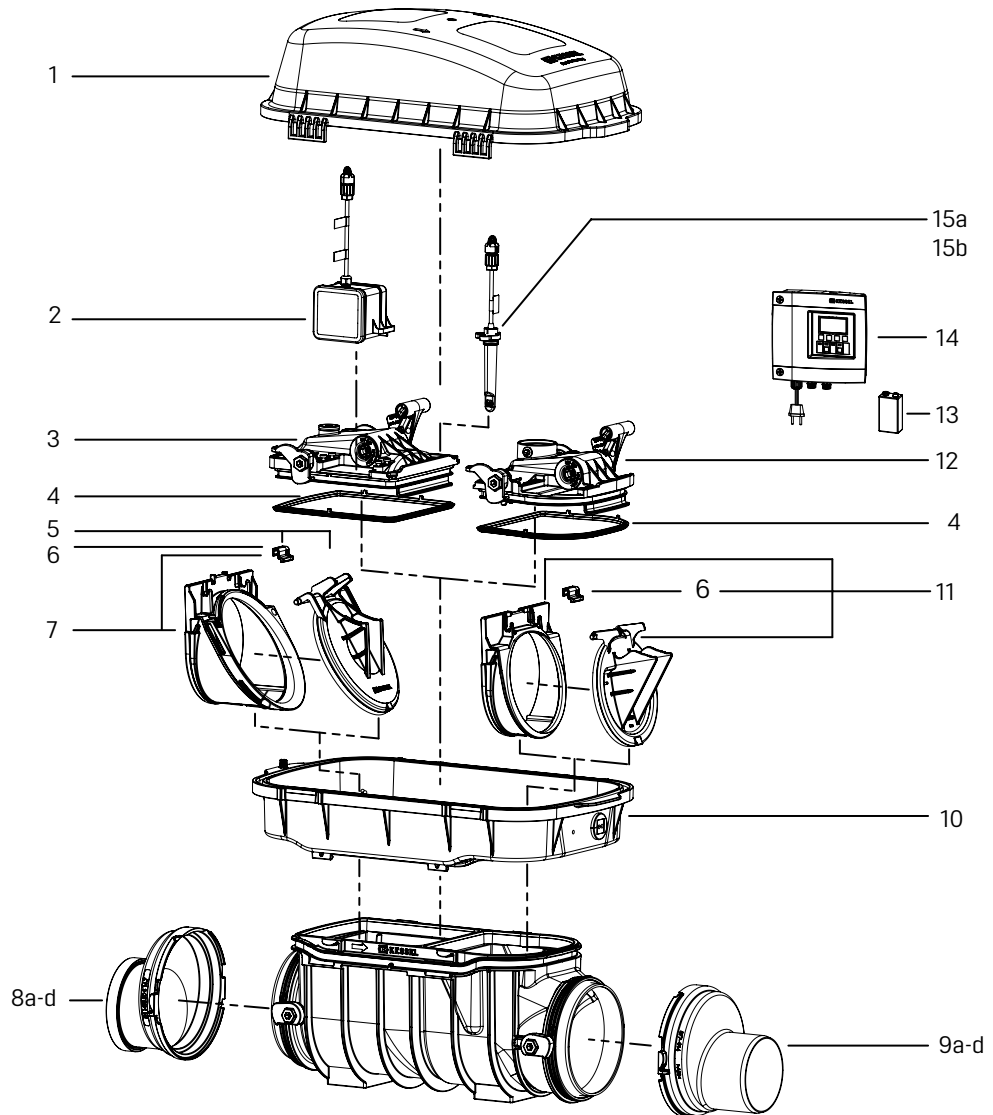
Installation in the floor slab, beginning model year 01/2011



Item	Designation	Art. no.	Item	Designation	Art. no.
1	Cover plate, tileable, surface water resistant, 384 × 384 mm, with seal, up to model year 01/2020	83 052	13c	Ø 160	83 087
2	Seal for cover plate 384 × 384 mm	680 025	13d	Ø 200	83 088
3	Cover plate, black, surface water resistant, 384 × 384 mm, with seal, up to model year 01/2020	83 050	14	Spigot incl. seal	
4	Upper section, Ø 330 mm, height-adjustable up to 170 mm, beginning model year 02/2020	830 061	14a	Ø 110	83 081
5a	Seal for upper section up to model year 06/2014	680 026	14b	Ø 125	83 082
5b	Seal for upper section beginning model year 07/2014	680 150	14c	Ø 160	83 083
6	Spare parts set, optical probe, 5 m cable, with 3 adapters	80 888	14d	Ø 200	83 084
7	Motor, ready to plug in, 5 m cable	80 076	15	Slide-in flap housing with mechanical flap and flap holder	80 041
8	<i>Staufix FKA</i> lockable cover, inlet side	80 016	16	Lockable cover, <i>Staufix FKA</i> , outlet side	80 017
9	Seal set for two-piece lockable cover	70 318	17	Battery, 9 V block	680 034
10	Motor-driven backwater flap, with flap holder	80 038	18	Control unit Comfort 230 V, <i>Staufix FKA</i>	80 071
11	Flap holder	680 101	19	Cover plate, tileable, surface water resistant, with seal, beginning model year 02/2020	830 052
12	Slide-in flap housing for motor-driven flap with flap holder	80 039	20	Seal for cover plate, System 330 mm	686 114
13	Socket incl. seal		21	Release key for <i>Lock & Lift</i> cover plates	67 007
13a	Ø 110	83 085	22	Cover plate, black, surface water resistant, with seal, beginning model year 02/2020	830 050
13b	Ø 125	83 086	23	Test funnel with seal	70 214
			24	High-performance grease for backwater valves, 12 g	681 001

Automatic backwater valve *Staufix FKA*

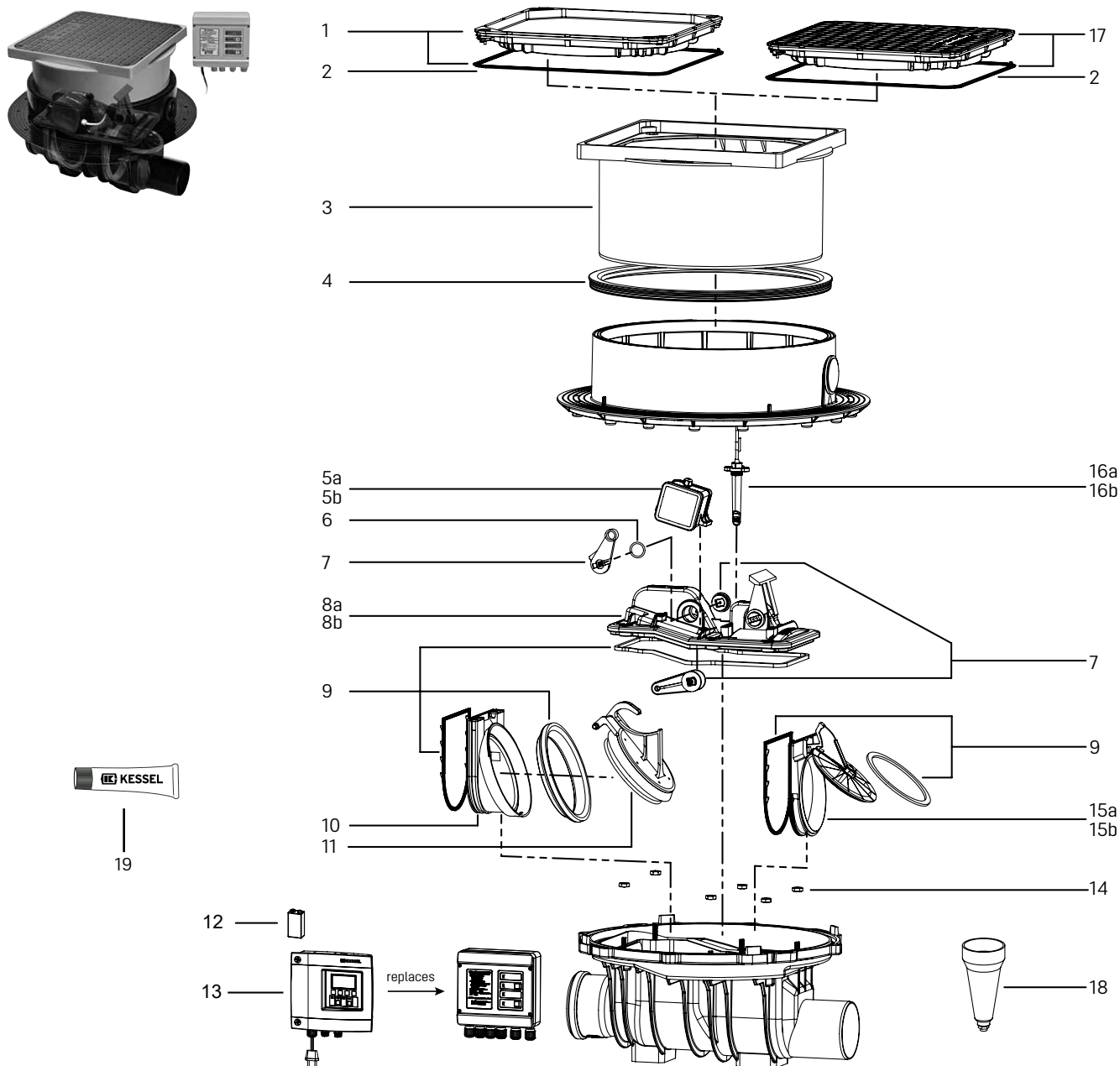
Installation in an exposed wastewater pipe, beginning model year 01/2011



Item	Designation	Art. no.	Item	Designation	Art. no.
1	Protective cover, transparent	83 031	9b	Ø 125	83 082
2	Motor, ready to plug in, 5 m cable	80 076	9c	Ø 160	83 083
3	Lockable cover <i>Staufix FKA</i> , inlet side	80 016	9d	Ø 200	83 084
4	Seal set for two-piece lockable cover	70 318	10	Upper section for attaching a protective cover	83 032
5	Motor-driven backwater flap, with flap holder	80 038	11	Slide-in flap housing with mechanical flap and flap holder	80 041
6	Flap holder	680 101	12	Lockable cover, <i>Staufix FKA</i> , outlet side	80 017
7	Slide-in flap housing for motor-driven flap with flap holder	80 039	13	Battery, 9 V block	680 034
8	Socket incl. seal		14	Control unit Comfort 230 V, <i>Staufix FKA</i>	80 071
8a	Ø 110	83 085	15	Spare parts set, optical probe with 3 adapters	
8b	Ø 125	83 086	15a	with 5 m cable	80 888
8c	Ø 160	83 087	15b	with 15 m cable	80 988
8d	Ø 200	83 088	16	Test funnel with seal	70 214
9	Spigot incl. seal		17	High-performance grease for backwater valves, 12 g	681 001
9a	Ø 110	83 081			

Automatic backwater valve *Staufix FKA*

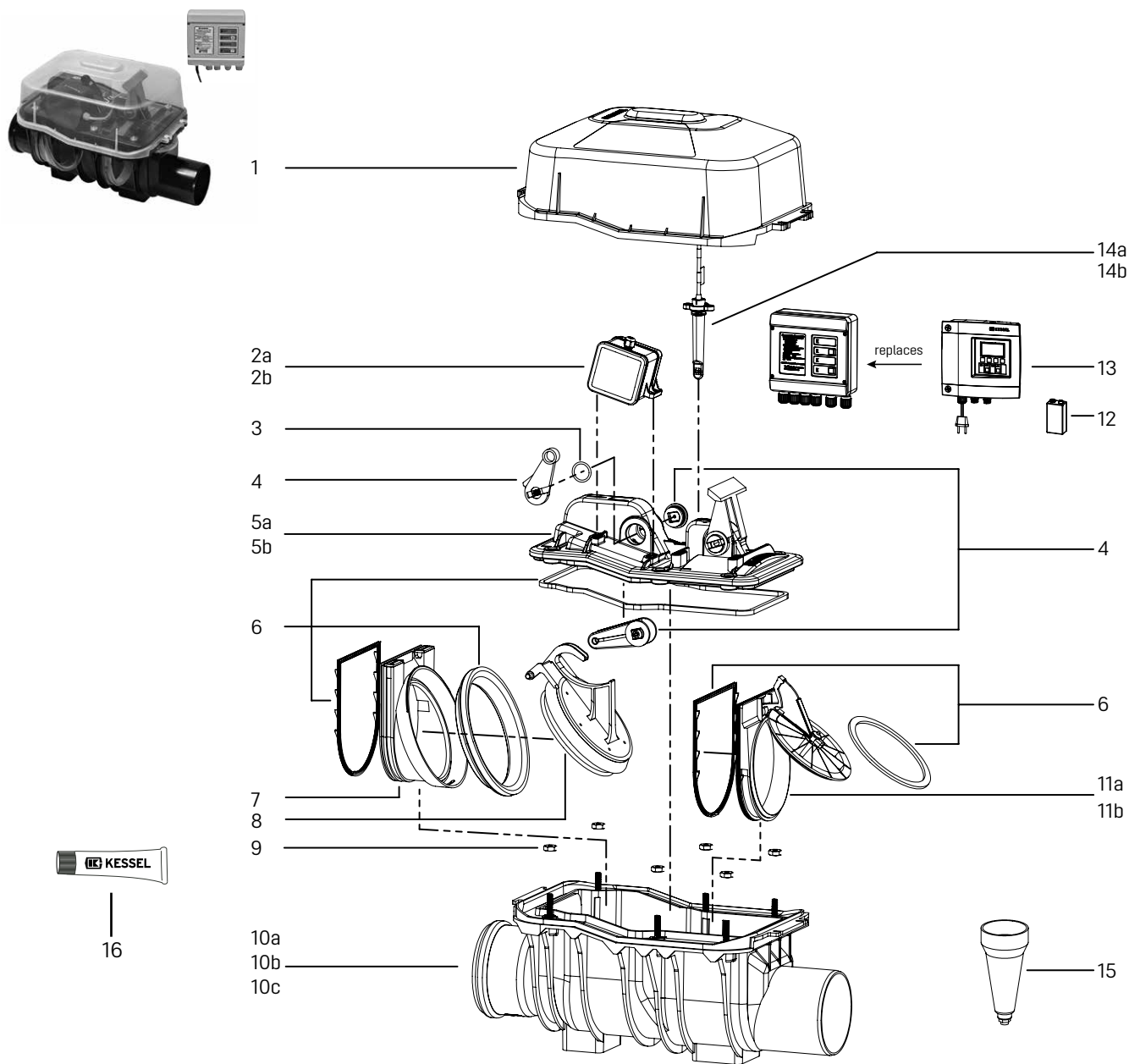
Installation in the floor slab, up to model year 12/2010



Item	Designation	Art. no.	Item	Designation	Art. no.
1	Cover plate, tileable, surface water resistant, 384 × 384 mm, with seal	83 052	11	Motor-driven backwater flap	80 031
2	Seal for cover plate 384 × 384 mm	680 025	12	Battery, 9 V block	680 034
3	Upper section, height-adjustable up to 180 mm	83 061	13	Comfort control unit 230 V, <i>Staufix FKA</i> also order: connector set for control unit	80 071 80 893
4	Seal for upper section	680 026	14	Hexagon nut set, M8, A/F17 (6 each)	680 132
5	Motor, for direct connection on the mainboard		15	Slide-in flap housing	
5a	with 5 m cable	80 075	15a	with mechanical 2-stage flap up to model year 12/1998	80 035
5b	with 15 m cable	680 009	15b	with mechanical 3-stage flap beginning model year 01/1999	80 036
6	Seal, O-ring for lever mechanism	680 015	16	Spare parts set, optical probe with 3 adapters	
7	Lever mechanism set for flap locking	680 016	16a	for Ø 110/125/160 with 5 m cable	80 888
8	Lockable cover <i>Staufix FKA</i> , one-piece		16b	for Ø 110/125/160 with 15 m cable	80 988
8a	for 2-stage flap with seal up to model year 12/1998	80 024	17	Cover plate, black, surface water resistant, 384 × 384 mm, with seal	83 050
8b	for 3-stage flap with seal beginning model year 01/1999	80 026	18	Test funnel with seal	70 214
9	Seal set for lockable cover FKA, one-piece	70 317	19	High-performance grease for backwater valves, 12 g	681 001
10	Slide-in flap housing for motor-driven flap	80 032			

Automatic backwater valve *Staufix FKA*

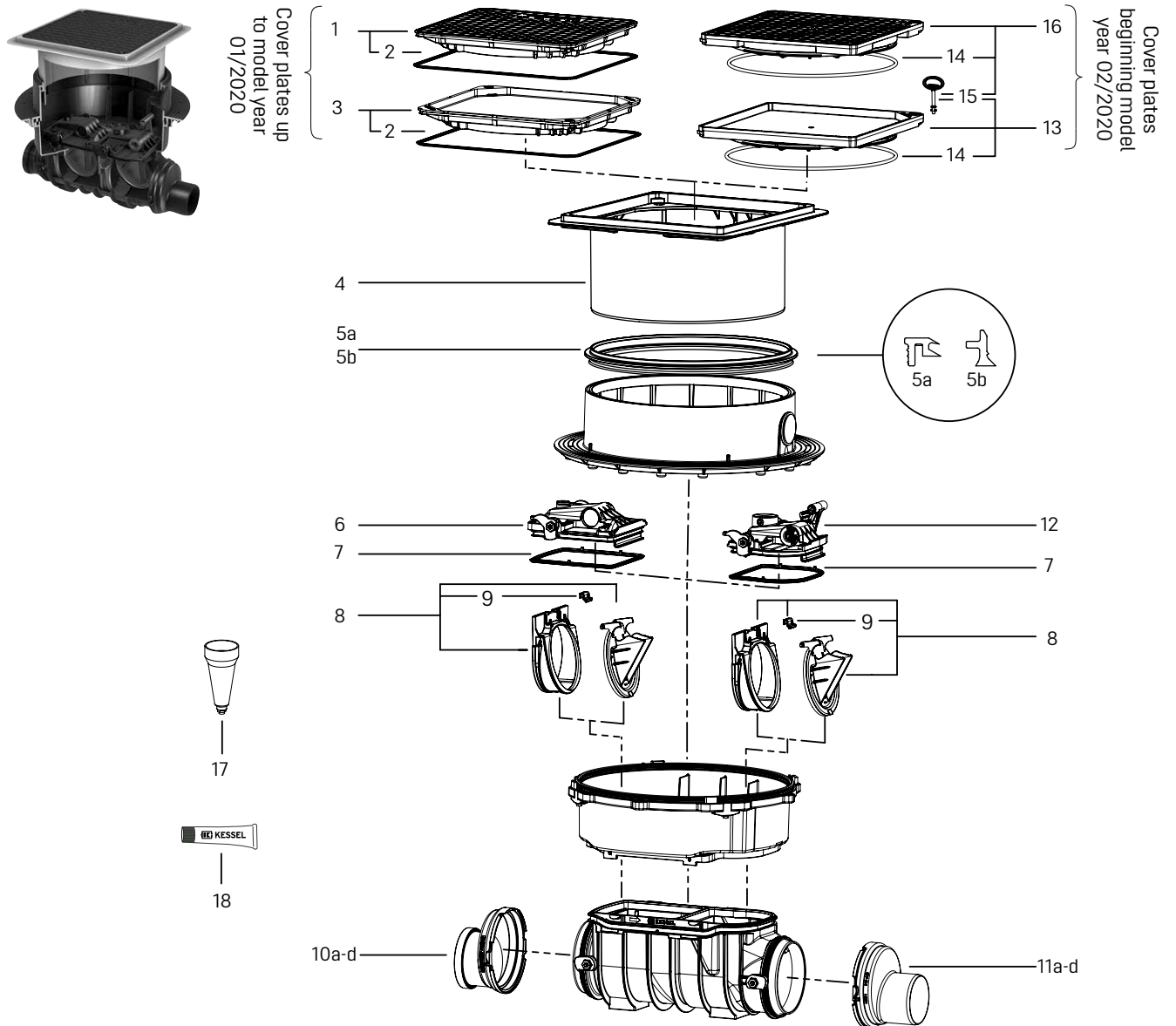
Installation in an exposed wastewater pipe, up to model year 12/2010



Item	Designation	Art. no.	Item	Designation	Art. no.
1	Protective cover, transparent, screwed	83 030	10a	Ø 110	680 022
2	Motor, for direct connection on the mainboard		10b	Ø 125	680 023
2a	with 5 m cable	80 075	10c	Ø 160	680 024
2b	with 15 m cable	680 009	11	Slide-in flap housing	
3	Seal, O-ring for lever mechanism	680 015	11a	with mechanical 2-stage flap up to model year 12/1998	80 035
4	Lever mechanism set for flap locking	680 016	11b	with mechanical 3-stage flap beginning model year 01/1999	80 036
5	Lockable cover <i>Staufix FKA</i> , one-piece		12	Battery, 9 V block	680 034
5a	for 2-stage flap with seal up to model year 12/1998	80 024	13	Control unit, Comfort 230 V, <i>Staufix FKA</i>	80 071
5b	for 3-stage flap with seal beginning model year 01/1999	80 026		also order: connector set for control unit	80 893
6	Seal set for lockable cover <i>FKA</i> , one-piece	70 317	14	Spare parts set, optical probe with 3 adapters	
7	Slide-in flap housing for motor-driven flap	80 032	14a	for Ø 110/125/160 with 5 m cable	80 888
8	Motor-driven backwater flap	80 031	14b	for Ø 110/125/160 with 15 m cable	80 988
9	Hexagon nut set, M8, A/F17 (6 each)	680 132	15	Test funnel with seal	70 214
10	Drain body without socket seal		16	High-performance grease for backwater valves, 12 g	681 001

Backwater valve *Staufix SWA*

Installation in the floor slab, beginning model year 01/2011

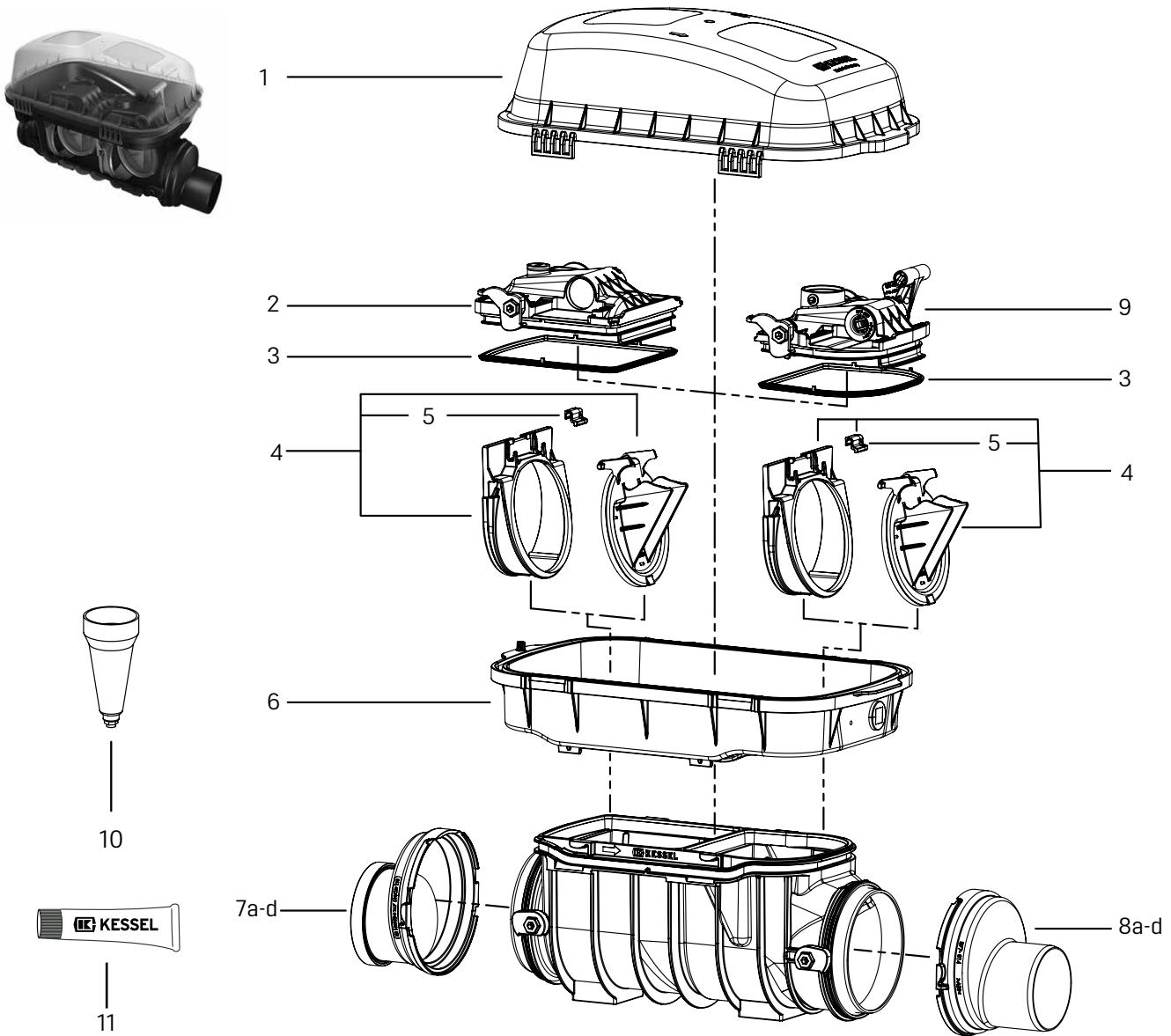


Item	Designation	Art. no.
1	Cover plate, tileable, surface water resistant, 384 × 384 mm, with seal, up to model year 01/2020	83 052
2	Seal for cover plate 384 × 384 mm	680 025
3	Cover plate, black, surface water resistant, 384 × 384 mm, with seal, up to model year 01/2020	83 050
4	Upper section, Ø 330 mm, height-adjustable up to 170 mm, beginning model year 02/2020	830 061
5	Seal for upper section	
5a	up to model year 06/2014	680 026
5b	beginning model year 07/2014	680 150
6	Lockable cover <i>Staufix SWA</i> , inlet side	80 013
7	Seal set for two-piece lockable cover	70 318
8	Slide-in flap housing with mechanical flap and flap holder	80 041
9	Flap holder	680 101
10	Socket incl. seal	
10a	Ø 110	83 085
10b	Ø 125	83 086

Item	Designation	Art. no.
10c	Ø 160	83 087
10d	Ø 200	83 088
11	Spigot incl. seal	
11a	Ø 110	83 081
11b	Ø 125	83 082
11c	Ø 160	83 083
11d	Ø 200	83 084
12	Lockable cover <i>Staufix SWA</i> , outlet side	80 014
13	Cover plate, tileable, surface water resistant, with seal, beginning model year 02/2020	830 052
14	Seal for cover plate, System 330 mm	686 114
15	Release key for <i>Lock & Lift</i> cover plates	67 007
16	Cover plate, black, surface water resistant, with seal, beginning model year 02/2020	830 050
17	Test funnel with seal	70 214
18	High-performance grease for backwater valves, 12 g	681 001

Backwater valve *Staufix SWA*

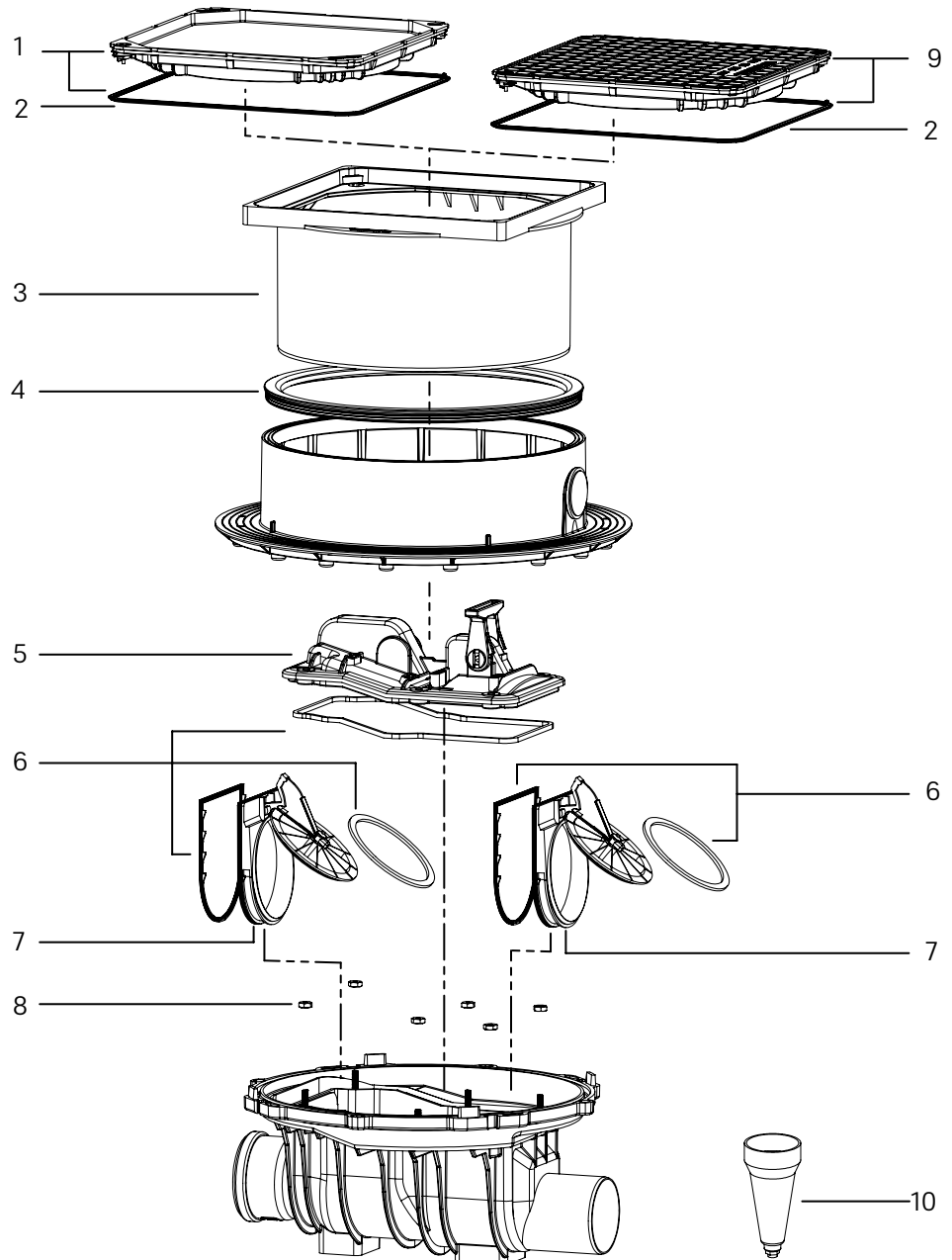
Installation in an exposed wastewater pipe, beginning model year 01/2011



Item	Designation	Art. no.	Item	Designation	Art. no.
1	Protective cover, transparent	83 031	7d	Ø 200	83 088
2	Lockable cover <i>Staufix SWA</i> , inlet side	80 013	8	Spigot incl. seal	
3	Seal set for two-piece lockable cover	70 318	8a	Ø 110	83 081
4	Slide-in flap housing with mechanical flap and flap holder	80 041	8b	Ø 125	83 082
5	Flap holder	680 101	8c	Ø 160	83 083
6	Upper section for attaching a protective cover	83 032	8d	Ø 200	83 084
7	Socket incl. seal		9	Lockable cover <i>Staufix SWA</i> , outlet side	80 014
7a	Ø 110	83 085	10	Test funnel with seal	70 214
7b	Ø 125	83 086	11	High-performance grease for backwater valves, 12 g	681 001
7c	Ø 160	83 087			

Backwater valve *Staufix SWA*

Installation in the floor slab, up to model year 12/2010

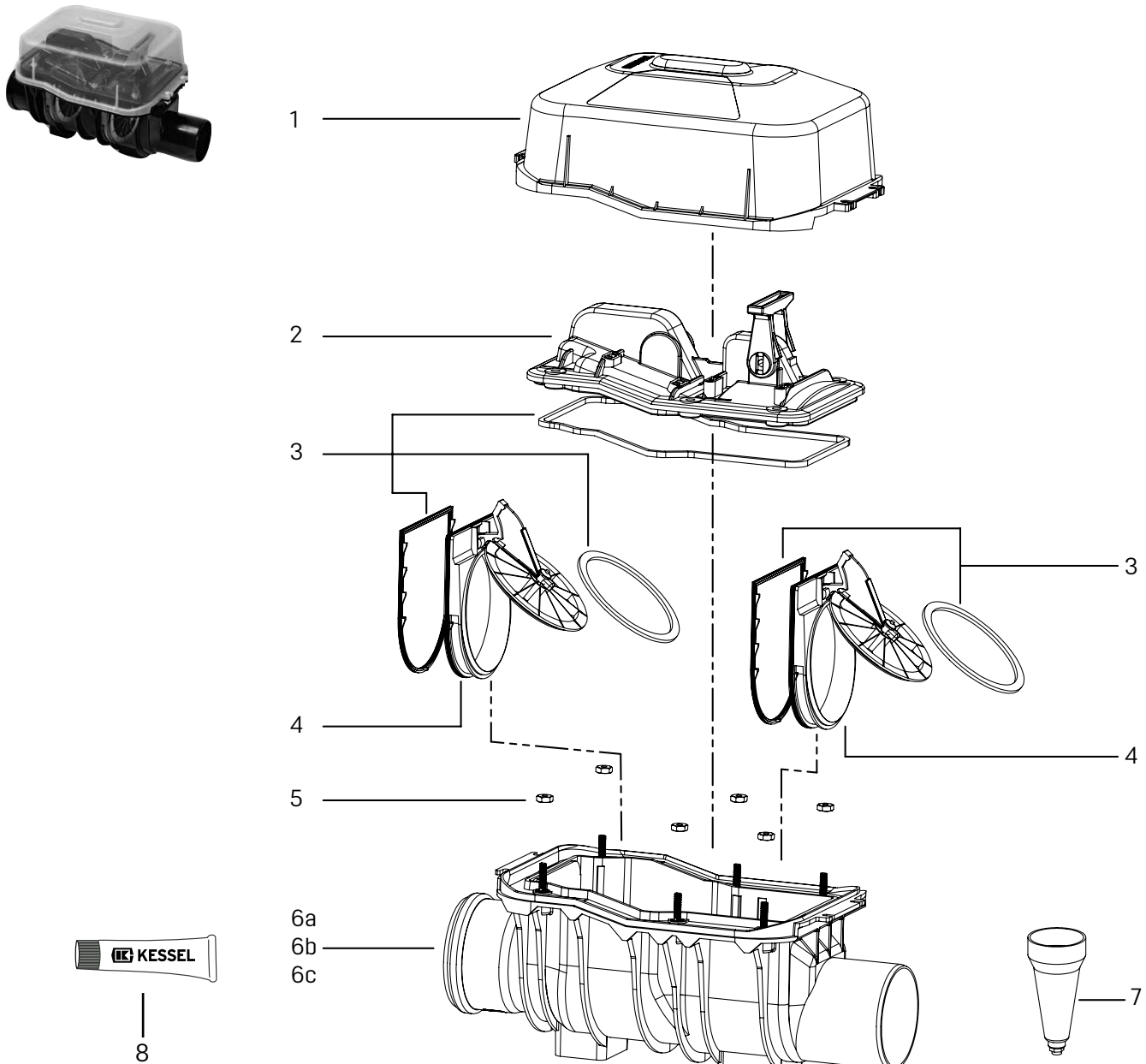


11

Item	Designation	Art. no.	Item	Designation	Art. no.
1	Cover plate, tileable, surface water resistant, 384 × 384 mm, with seal	83 052	7	Slide-in flap housing with flap and seal Ø 160	70 155
2	Seal for cover plate 384 × 384 mm	680 025	8	Hexagon nut set, M8, A/F17 (6 each)	680 132
3	Upper section, height-adjustable up to 180 mm	83 061	9	Cover plate, black, surface water resistant, 384 × 384 mm, with seal	83 050
4	Seal for upper section	680 026	10	Test funnel with seal	70 214
5	Lockable cover <i>Staufix SWA</i> , one-piece	80 015	11	High-performance grease for backwater valves, 12 g	681 001
6	Seal set for <i>SWA</i> lockable cover, one-piece	70 217			

Backwater valve *Staufix SWA*

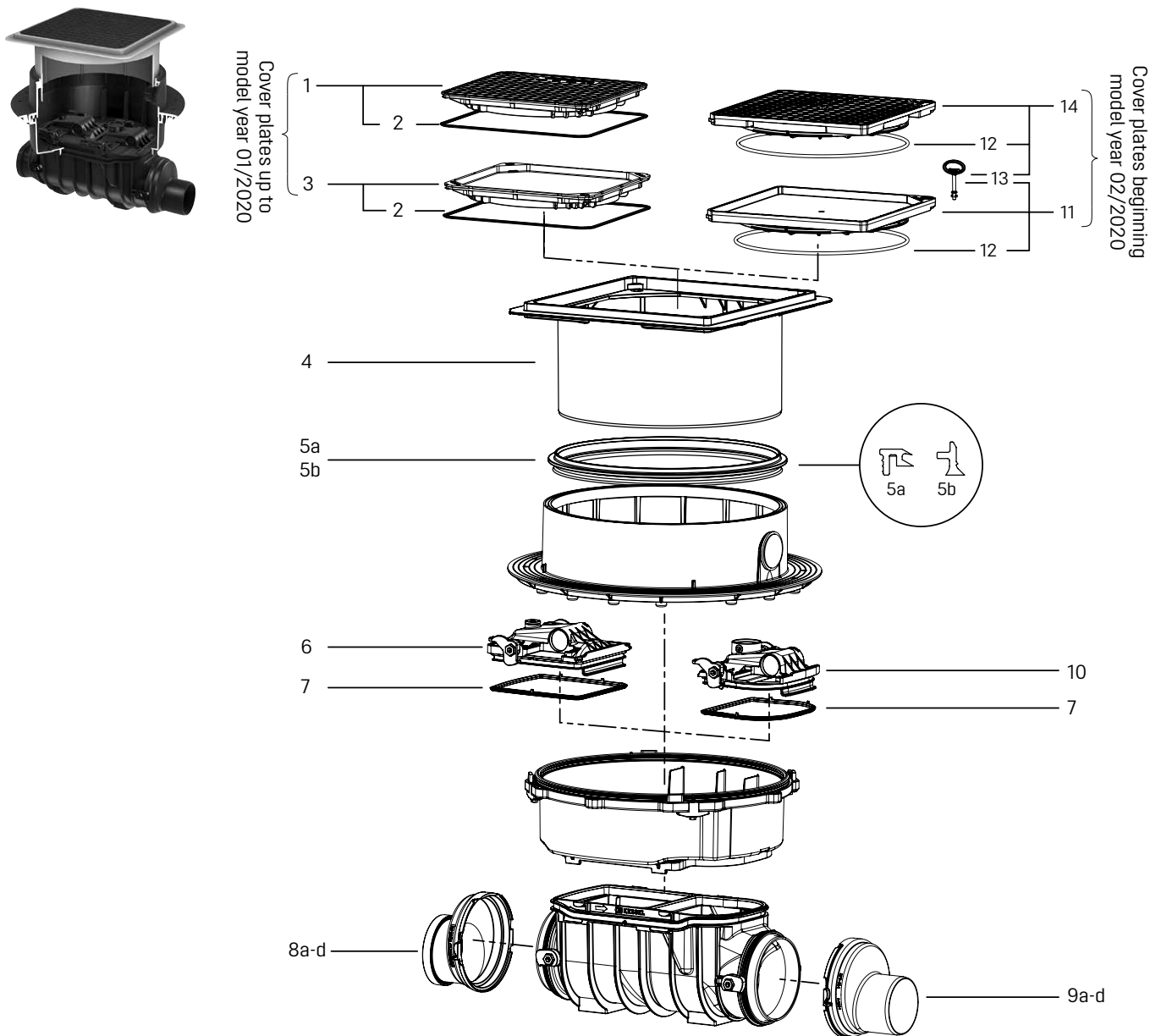
Installation in an exposed wastewater pipe, up to model year 12/2010



Item	Designation	Art. no.	Item	Designation	Art. no.
1	Protective cover, transparent, screwed	83 030	6	Drain body without socket seal	
2	Lockable cover <i>Staufix SWA</i> , one-piece	80 015	6a	Ø 110	680 022
3	Seal set for <i>SWA</i> lockable cover, one-piece	70 217	6b	Ø 125	680 023
4	Slide-in flap housing with flap and seal Ø 160	70 155	6c	Ø 160	680 024
5	Hexagon nut set, M8, A/F17 (6 each)	680 132	7	Test funnel with seal	70 214
			8	High-performance grease for backwater valves, 12 g	681 001

Clean out *Controlfix*

Installation in the floor slab, beginning model year 01/2011

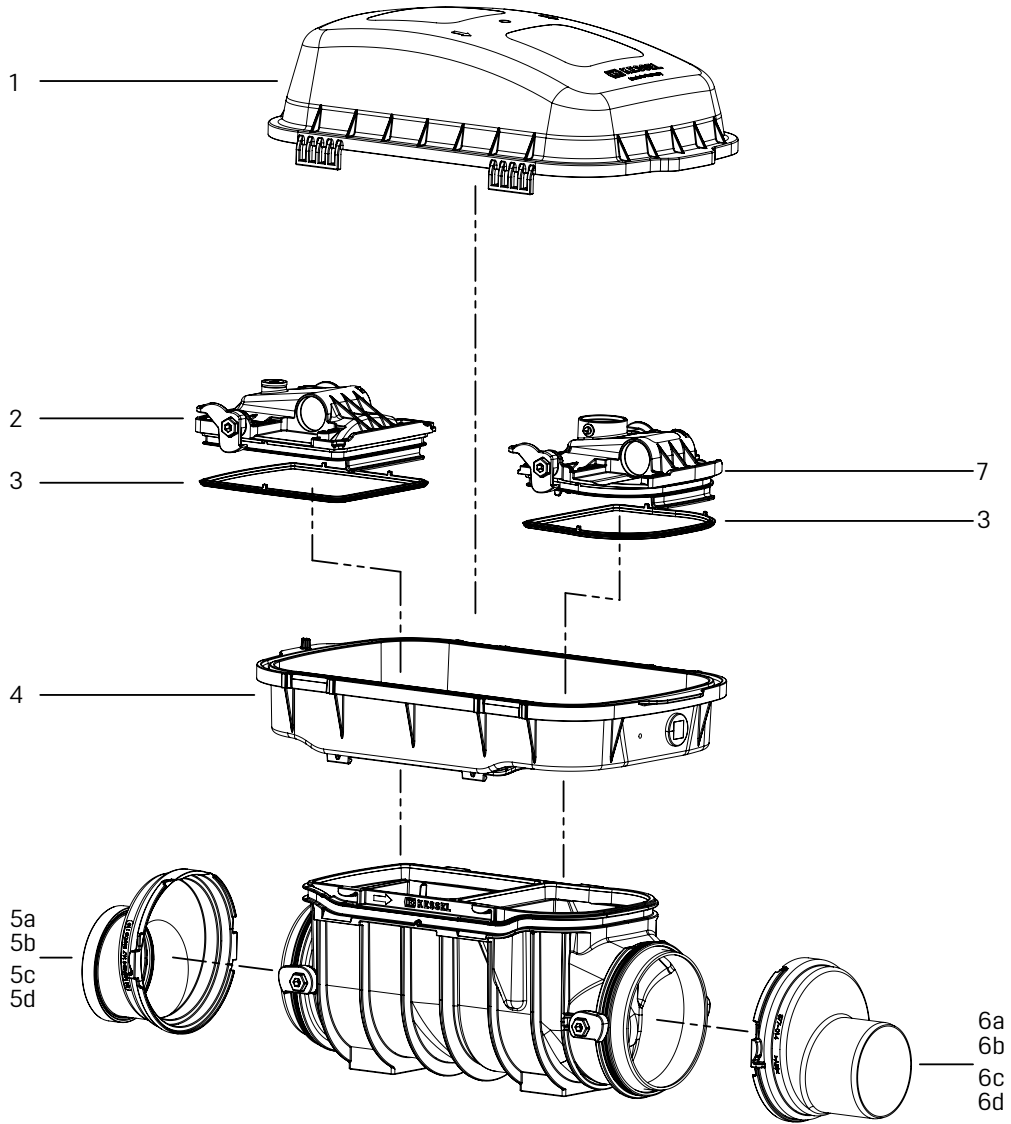


Item	Designation	Art. no.
1	Cover plate, tileable, surface water resistant, 384 × 384 mm, with seal up to model year 01/2020	83 052
2	Seal for cover plate 384 × 384 mm	680 025
3	Cover plate, black, surface water resistant, 384 × 384 mm, with seal up to model year 01/2020	83 050
4	Upper section, Ø 330 mm, height-adjustable up to 170 mm, beginning model year 02/2020	830 061
5	Seal for upper section	
5a	up to model year 06/2014	680 026
5b	beginning model year 07/2014	680 150
6	Lockable cover, <i>Controlfix</i> , inlet side	80 011
7	Seal set for two-piece lockable cover	70 318
8	Socket incl. seal	
8a	Ø 110	83 085
8b	Ø 125	83 086

Item	Designation	Art. no.
8c	Ø 160	83 087
8d	Ø 200	83 088
9	Spigot incl. seal	
9a	Ø 110	83 081
9b	Ø 125	83 082
9c	Ø 160	83 083
9d	Ø 200	83 084
10	Lockable cover <i>Controlfix</i> , outlet side	80 012
11	Cover plate, tileable, surface water resistant, with seal, beginning model year 02/2020	830 052
12	Seal for cover plate, System 330 mm	686 114
13	Release key for <i>Lock & Lift</i> cover plates	67 007
14	Cover plate, black, surface water resistant, with seal, beginning model year 02/2020	830 050

Clean out *Controlfix*

Installation in an exposed wastewater pipe, beginning model year 01/2011

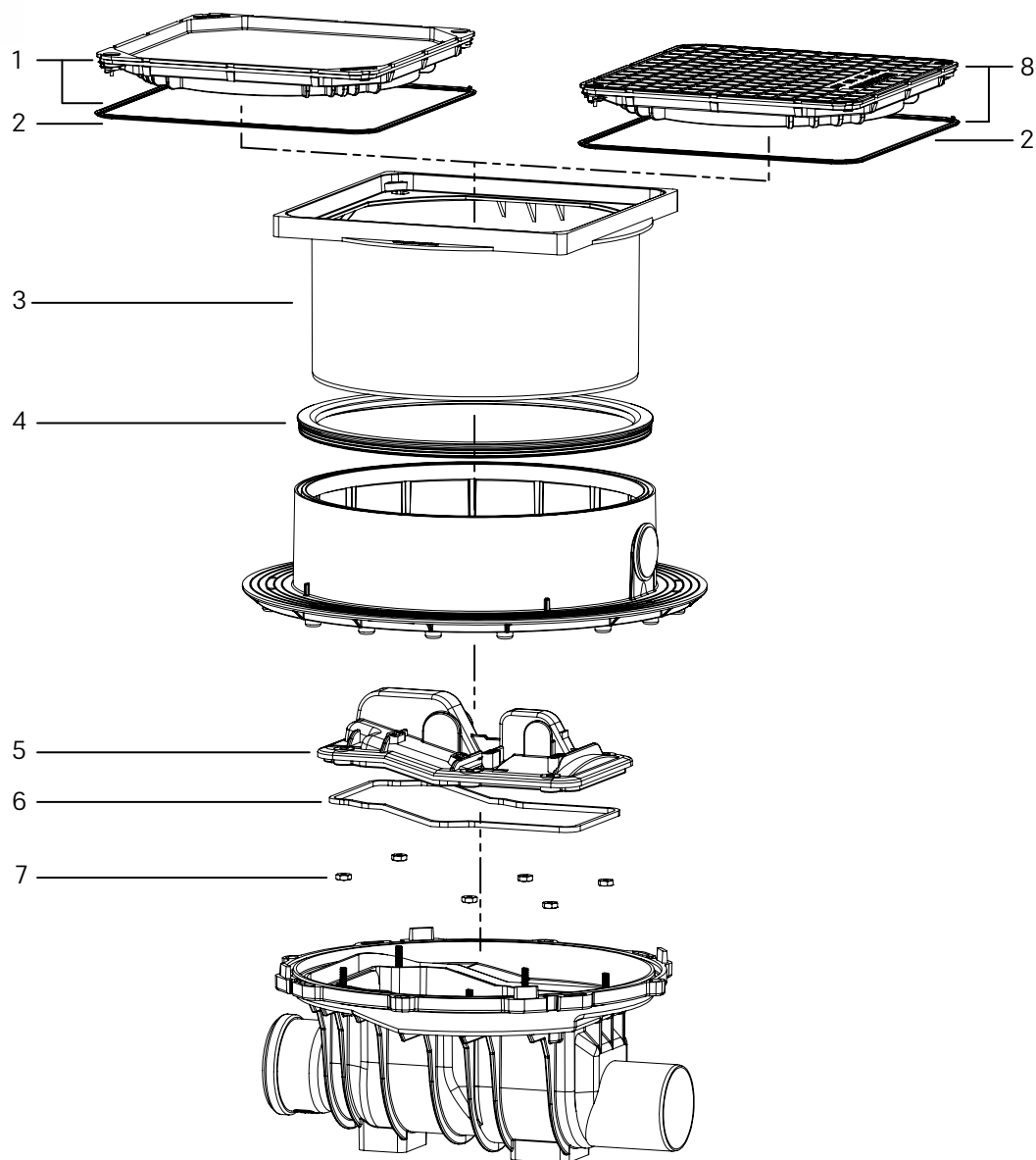


Item	Designation	Art. no.
1	Protective cover, transparent	83 031
2	Lockable cover, <i>Controlfix</i> , inlet side	80 011
3	Seal set for two-piece lockable cover	70 318
4	Upper section for attaching a protective cover	83 032
5	Socket incl. seal	
5a	Ø 110	83 085
5b	Ø 125	83 086
5c	Ø 160	83 087

Item	Designation	Art. no.
5d	Ø 200	83 088
6	Spigot incl. seal	
6a	Ø 110	83 081
6b	Ø 125	83 082
6c	Ø 160	83 083
6d	Ø 200	83 084
7	Lockable cover <i>Controlfix</i> , outlet side	80 012

Clean out *Controlfix*

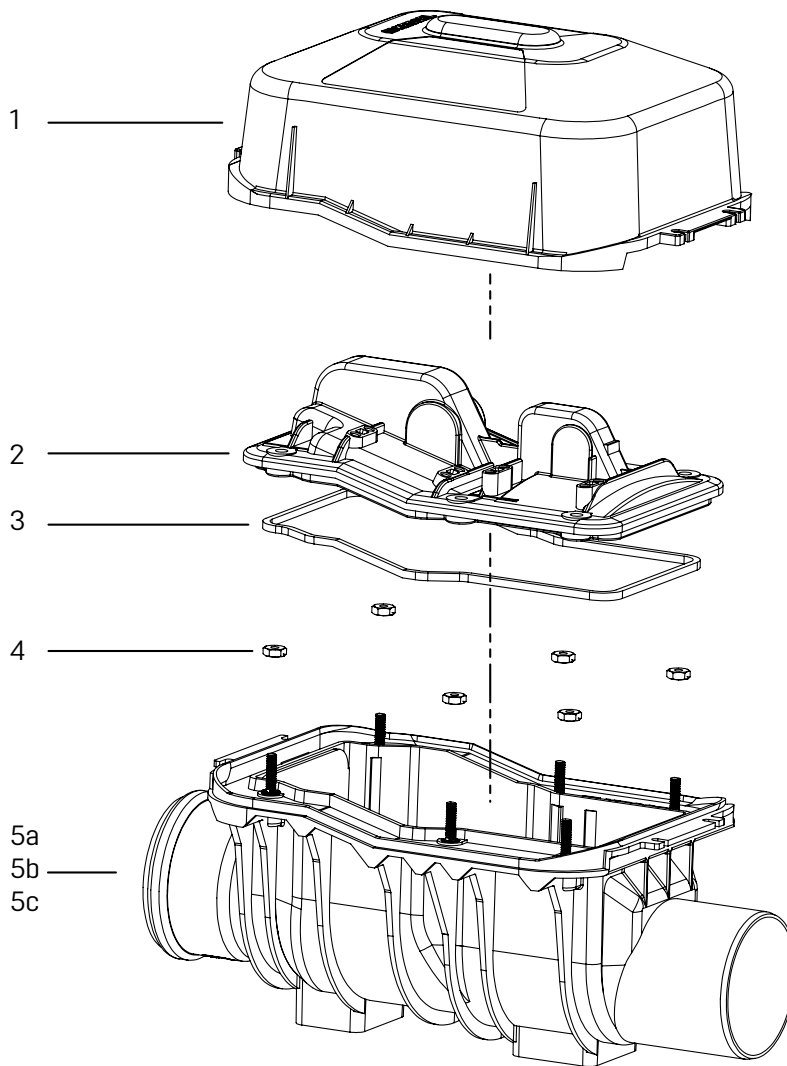
Installation in the floor slab, up to model year 12/2010



Item	Designation	Art. no.	Item	Designation	Art. no.
1	Cover plate, tileable, surface water resistant, 384 × 384 mm, with seal	83 052	5	<i>Controlfix</i> lockable cover, one-piece, with seal	80 010
2	Seal for cover plate 384 × 384 mm	680 025	6	Seal for screwable lockable cover	70 202
3	Upper section, height-adjustable up to 180 mm	83 061	7	Hexagon nut set, M8, A/F17 (6 each)	680 132
4	Seal for upper section	680 026	8	Cover plate, black, surface water resistant, 384 × 384 mm, with seal	83 050

Clean out *Controlfix*

Installation in an exposed wastewater pipe, up to model year 12/2010



Item	Designation	Art. no.	Item	Designation	Art. no.
1	Protective cover, transparent, screwed	83 030	5	Drain body without socket seal	
2	Lockable cover, <i>Controlfix</i> , one-piece, with seal	80 010	5a	Ø 110	680 022
3	Seal for screwable lockable cover	70 202	5b	Ø 125	680 023
4	Hexagon nut set, M8, A/F17 (6 each)	680 132	5c	Ø 160	680 024

Product features of the *Staufix* series

Product range up to 03/2005
(orange)

- Locking of drain body and cover with brass screw



Product range model year 04/2005 to 01/2018
(orange)

- Locking of drain body and cover with quick-release closures (Ø 200 screwed)



Product range beginning model year 09/2017
(black)

- Locking of drain body and cover with one-handed closure



Backwater valve *StaufixControl* and *Staufix*

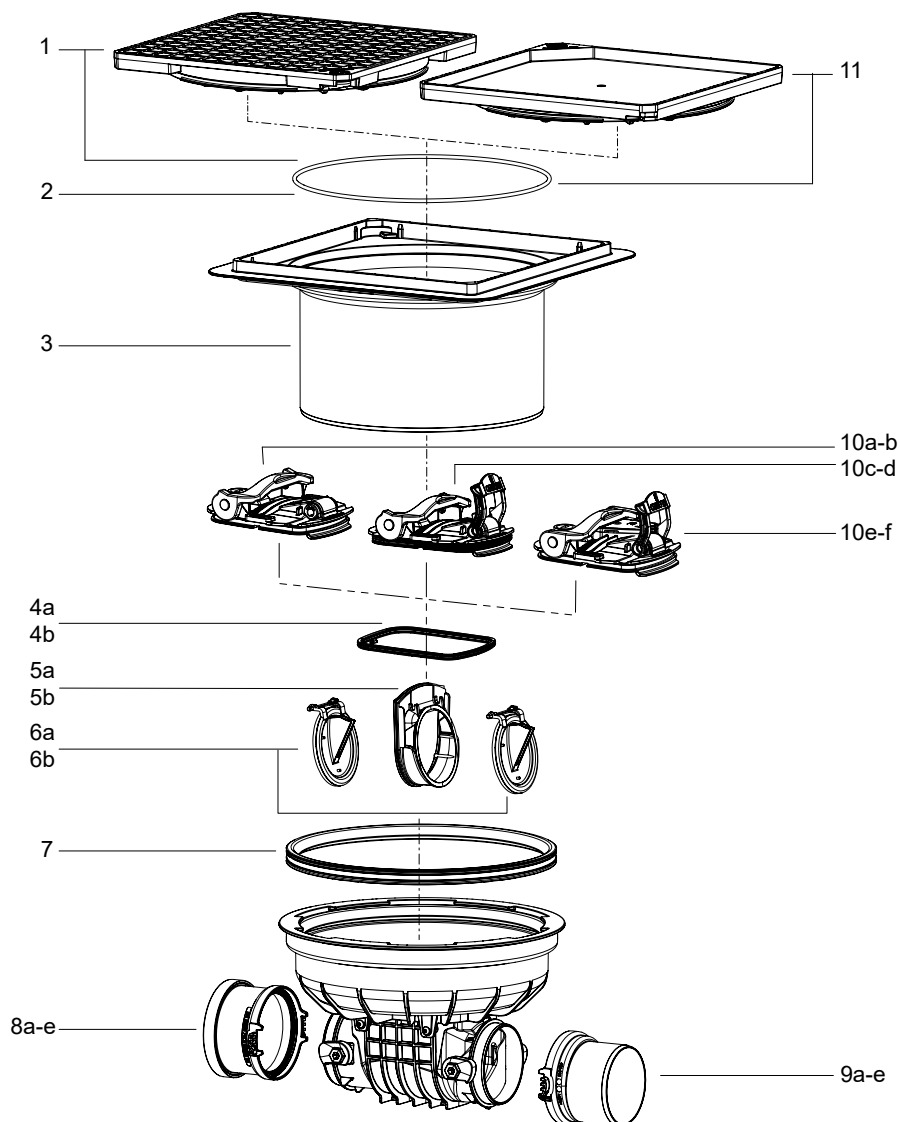
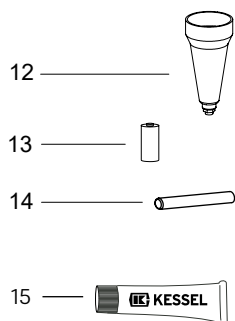
Installation in the floor slab, beginning model year 09/2017



Figure shows art. no. 770 100.10X



Figure shows art. no. 720 100.10X



Item	Designation	Art. no.	Item	Designation	Art. no.
1	Cover plate, black, surface water resistant, 366 × 366 mm, with seal	830 050	9	Spigot incl. seal	
2	Seal for cover plate	686 114	9a	Ø 90	83 090
3	Upper section, Ø 330 mm, height adjustable up to 170 mm	830 061	9b	Ø 110	830 100
4	Cover seal for <i>Staufix</i>		9c	Ø 125	83 082
4a	for Ø 90 - 110	686 112	9d	Ø 160	83 083
4b	for Ø 125 - 200	686 113	9e	Ø 200	83 084
5	Slide-in flap housing with seal		10	Lockable cover	
5a	for Ø 90 - 110	70 241	10a	<i>Staufix</i> Ø 90 - 110, without emergency closure	72 235
5b	for Ø 125 - 160	70 242	10b	<i>Staufix</i> Ø 125 - 200, without emergency closure	72 236
6	Non-return flap		10c	<i>Staufix</i> Ø 90 - 110, with emergency closure	72 229
6a	for Ø 90 - 110	70 231	10d	<i>Staufix</i> Ø 125 - 200, with emergency closure	72 230
6b	for Ø 125 - 160	70 232	10e	<i>StaufixControl</i> Ø 90 - 110, with emergency closure	72 224
7	Lip seal	686 115	10f	<i>StaufixControl</i> Ø 125 - 200, with emergency closure	72 225
8	Socket incl. seal		11	Cover plate, tileable, surface water resistant with seal	830 052
8a	Ø 90	83 091	12	Test funnel with seal	70 214
8b	Ø 110	830 101	13	Battery, 3 V for <i>Control</i> device	680 665
8c	Ø 125	83 086	14	Test hose for <i>Control</i> device, 10 cm	680 668
8d	Ø 160	83 087	15	High-performance grease for backwater valves, 12 g	681 001
8e	Ø 200	83 088			

Backwater valve *StaufixControl* and *Staufix*

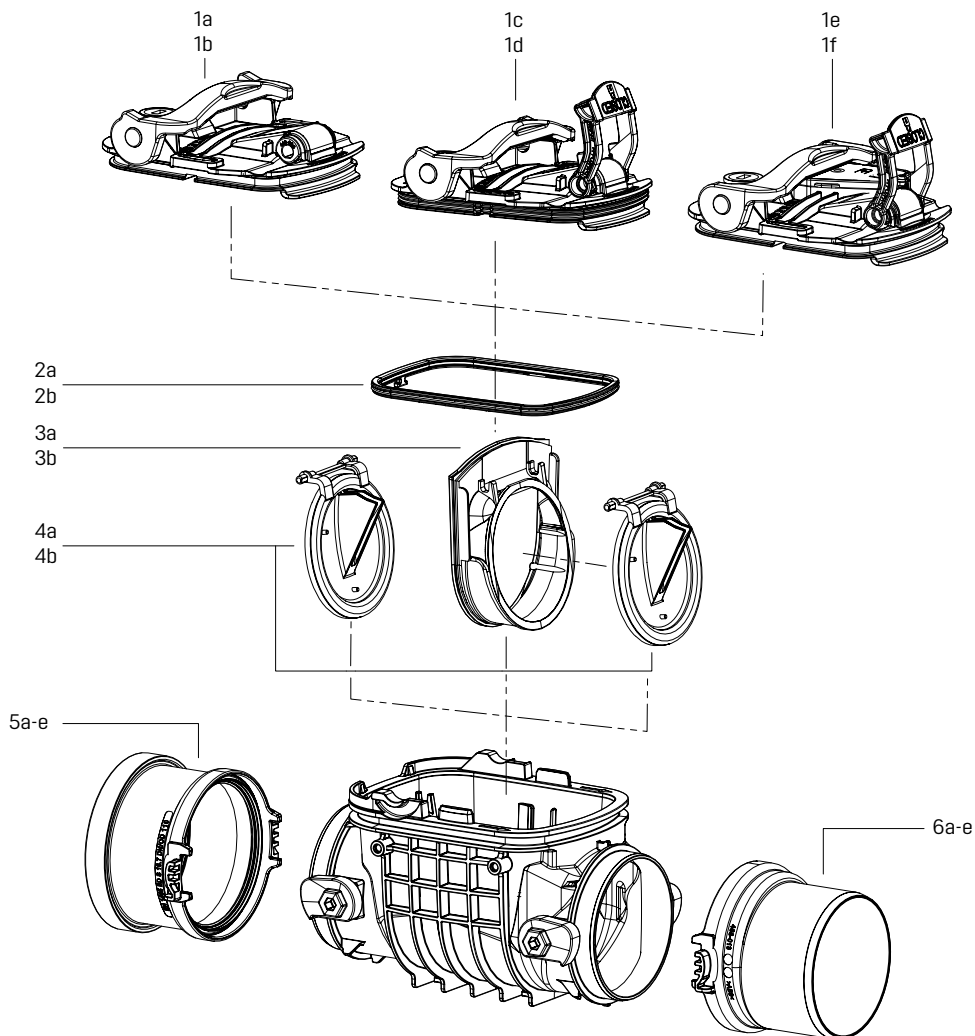
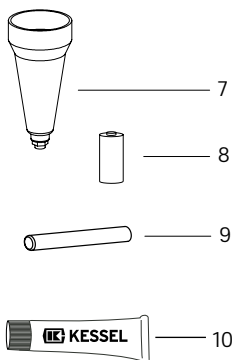
Installation in an exposed wastewater pipe, beginning model year 09/2017



Figure shows art. no. 770 100



Figure shows art. no. 720 100



Item	Designation	Art. no.
1	Lockable cover	
1a	<i>Staufix</i> Ø 90 - 110, without emergency closure	72 235
1b	<i>Staufix</i> Ø 125 - 200, without emergency closure	72 236
1c	<i>Staufix</i> Ø 90 - 110, with emergency closure	72 229
1d	<i>Staufix</i> Ø 125 - 200, with emergency closure	72 230
1e	<i>StaufixControl</i> Ø 90 - 110, with emergency closure	72 224
1f	<i>StaufixControl</i> Ø 125 - 200, with emergency closure	72 225
2	Cover seal for <i>Staufix</i>	
2a	for Ø 90 - 110	686 112
2b	for Ø 125 - 200	686 113
3	Slide-in flap housing with seal	
3a	for Ø 90 - 110	70 241
3b	for Ø 125 - 160	70 242
4	Non-return flap	
4a	for Ø 90 - 110	70 231
4b	for Ø 125 - 160	70 232

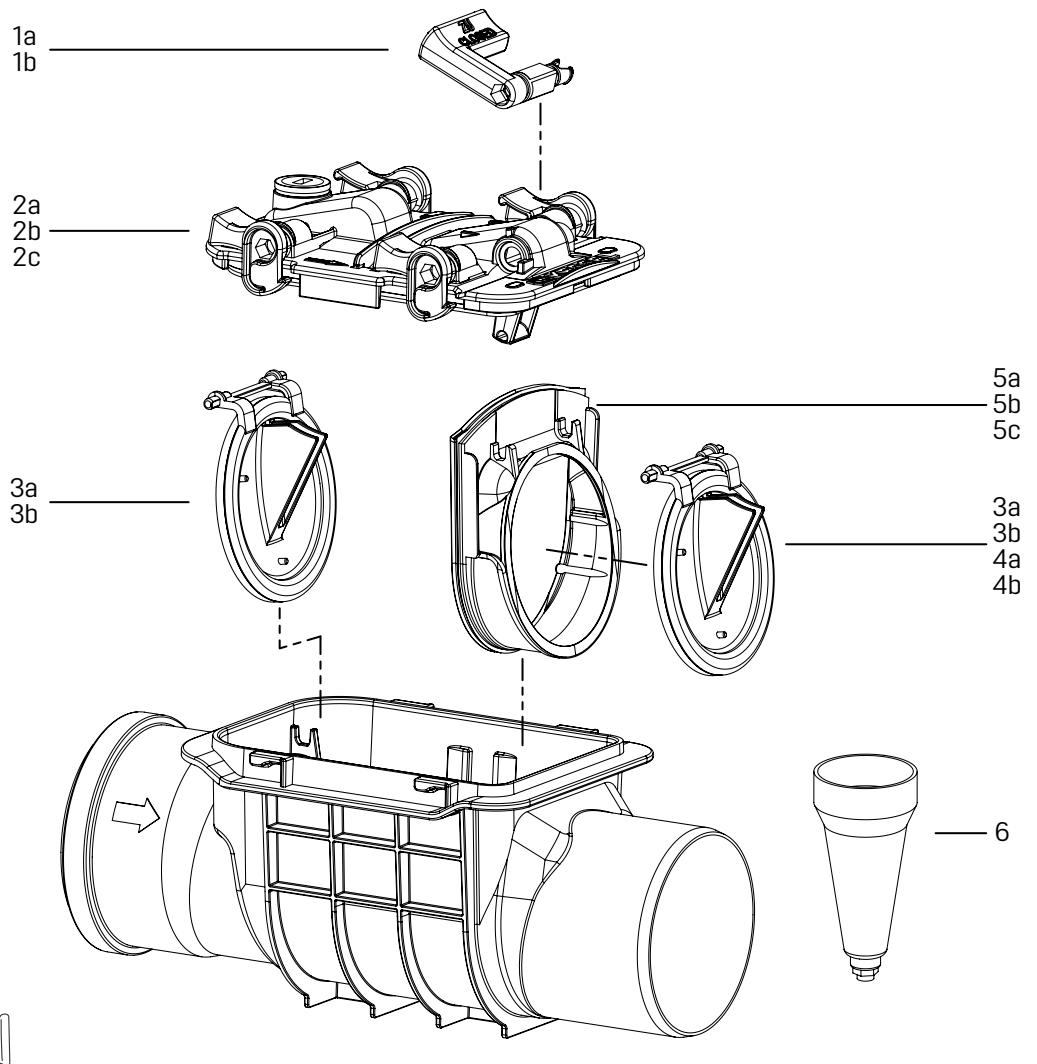
Item	Designation	Art. no.
5	Socket incl. seal	
5a	Ø 90	83 091
5b	Ø 110	830 101
5c	Ø 125	83 086
5d	Ø 160	83 087
5e	Ø 200	83 088
6	Spigot incl. seal	
6a	Ø 90	83 090
6b	Ø 110	830 100
6c	Ø 125	83 082
6d	Ø 160	83 083
6e	Ø 200	83 084
7	Test funnel with seal	70 214
8	Battery, 3 V for <i>Control</i> device	680 665
9	Test hose for <i>Control</i> device, 10 cm	680 668
10	High-performance grease for backwater valves, 12 g	681 001

Backwater valve *Staufix Basic*

Installation in an exposed wastewater pipe, beginning model year 04/2005, orange



Figure shows art. no. 73 100



Item	Designation	Art. no.
1	Emergency closure lever for <i>Staufix</i> incl. 2 × O-ring	
1a	Ø 110	680 063
1b	Ø 125/160	680 064
2	Lockable cover <i>Staufix</i> with emergency closure incl. seal	
2a	Ø 110	70 261
2b	Ø 125/160	70 262
2c	Ø 200	70 203
3	Backwater flap	
3a	Ø 110	70 231
3b	Ø 125/160	70 232

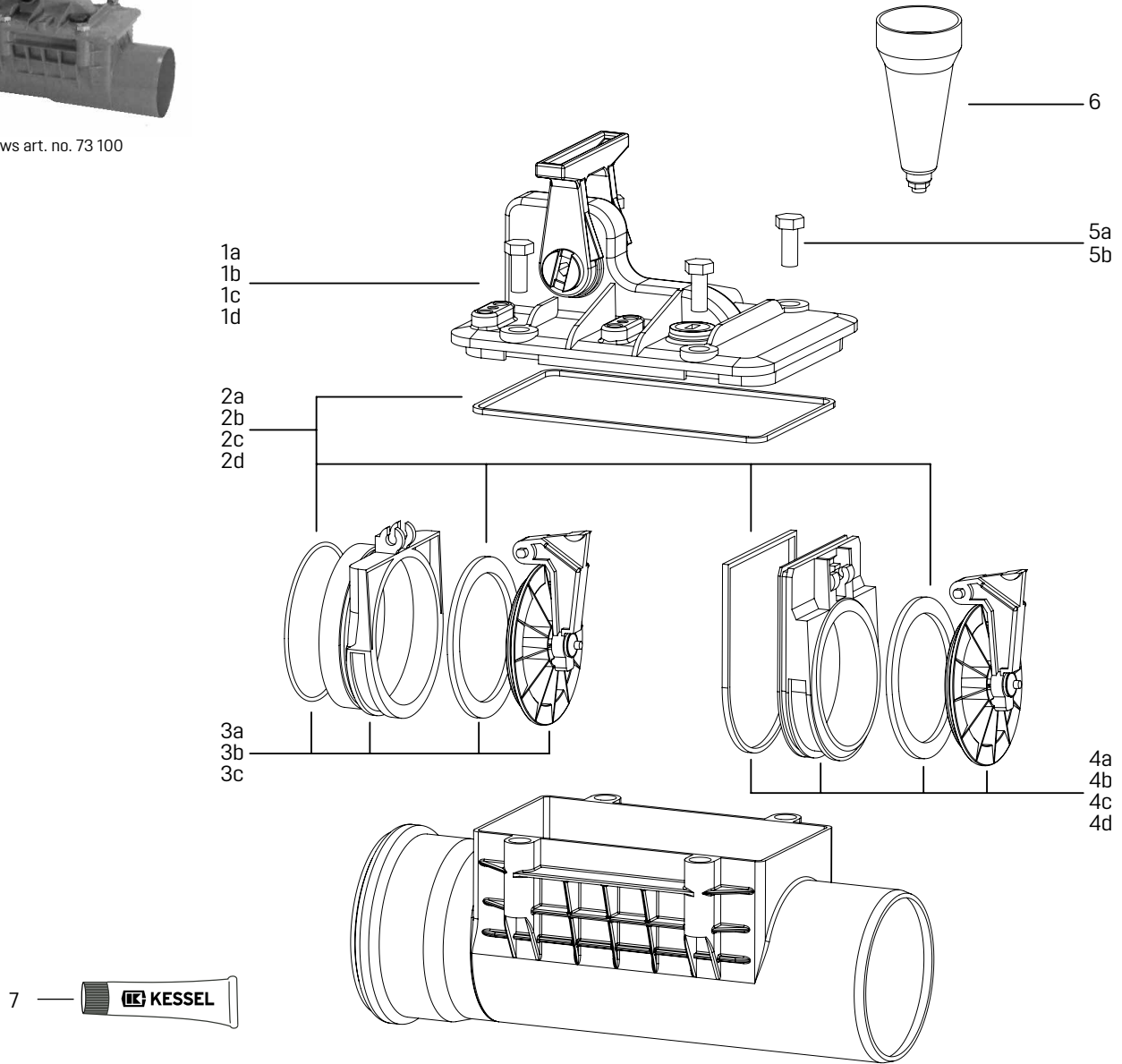
Item	Designation	Art. no.
4	Backwater flap with stainless steel cladding	
4a	Ø 110	70 233
4b	Ø 125/160	70 234
5	Slide-in flap housing incl. seal	
5a	Ø 110	70 241
5b	Ø 125/160	70 242
5c	and flap, Ø 200	70 205
6	Test funnel with seal	70 214
7	High-performance grease for backwater valves, 12 g	681 001

Backwater valve *Staufix Basic*

Installation in an exposed wastewater pipe, up to model year 03/2005, orange



Figure shows art. no. 73 100



Item	Designation	Art. no.
1	Lockable cover <i>Staufix</i> , with emergency closure, without screws	
1a	Ø 110	70 103
1b	Ø 125	70 128
1c	Ø 160	70 153
1d	Ø 200	70 203
2	Seal set <i>Staufix</i>	
2a	Ø 110	70 115
2b	Ø 125	70 116
2c	Ø 160	70 117
2d	Ø 200	70 118
3	Push-in flap housing with flap and seal	
3a	Ø 110	70 104

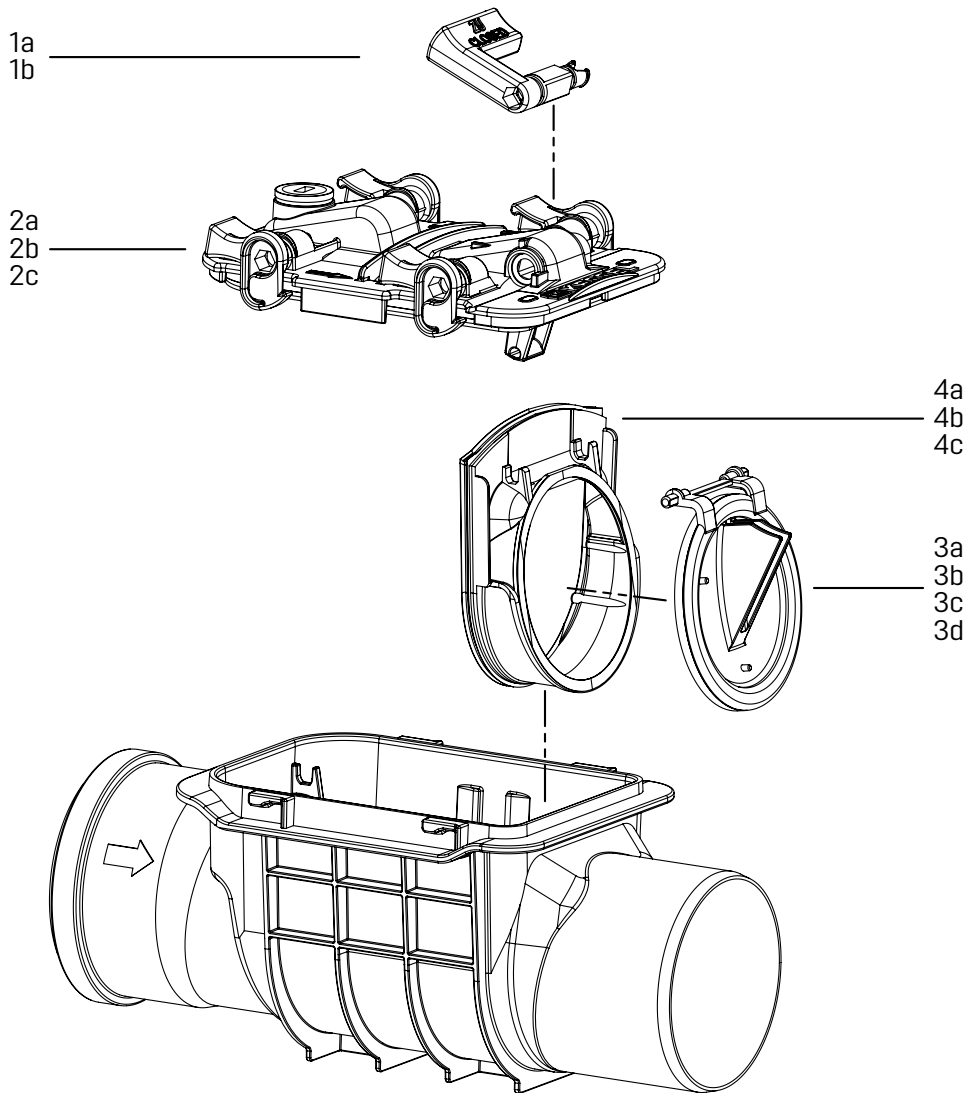
Item	Designation	Art. no.
3b	Ø 125	70 129
3c	Ø 160	70 154
4	Slide-in flap housing with flap and seal	
4a	Ø 110	70 105
4b	Ø 125	70 130
4c	Ø 160	70 155
4d	Ø 200	70 205
5a	Screw for lockable cover Ø 110 – 160 (1 ea.)	70 106
5b	Screw for lockable cover Ø 200 (1 ea.)	680 008
6	Test funnel with seal	70 214
7	High-performance grease for backwater valves, 12 g	681 001

Backwater valve *Staufix Basic*

Installation in an exposed wastewater pipe, beginning model year 04/2005, orange



Figure shows art. no. 72 100



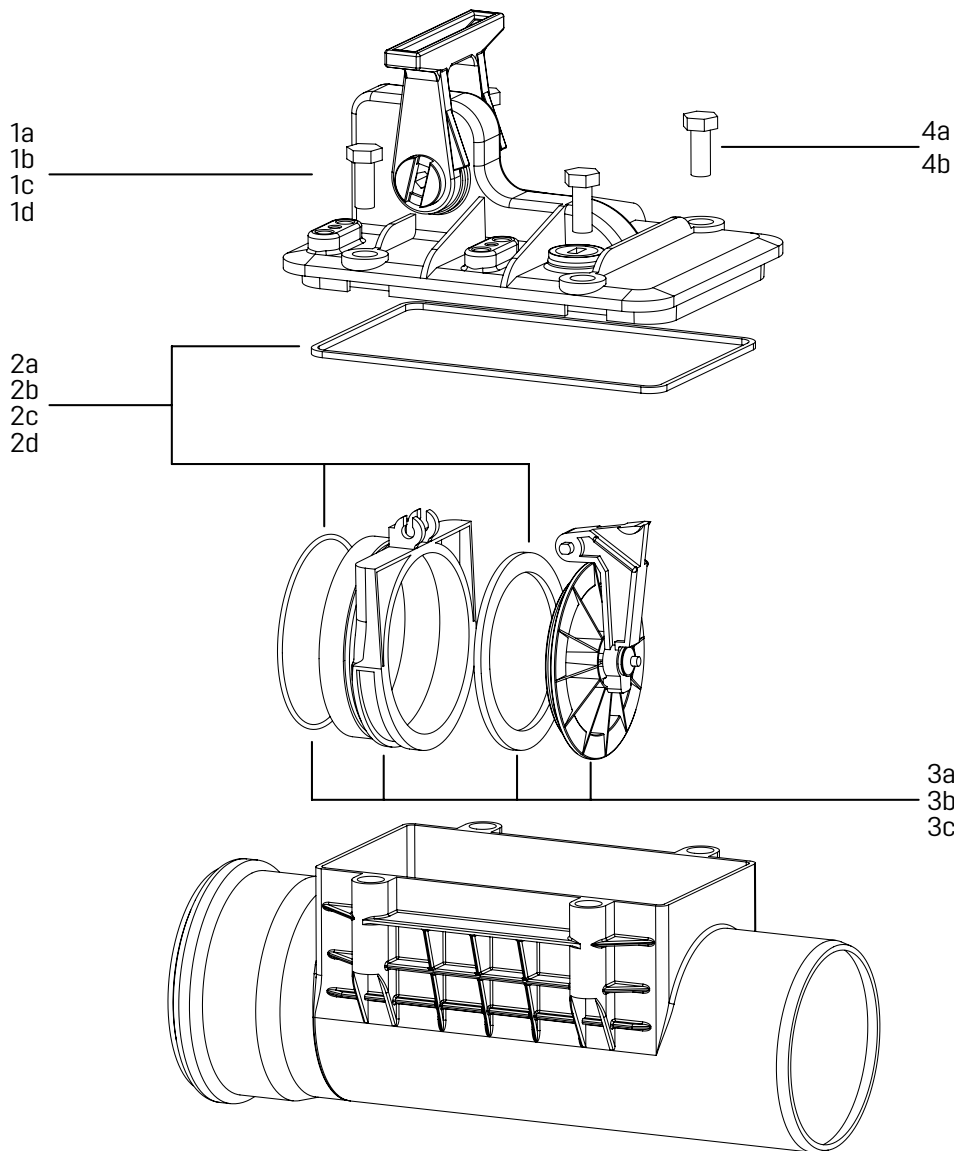
Item	Designation	Art. no.	Item	Designation	Art. no.
1	Emergency closure lever for <i>Staufix</i> incl. 2 × O-ring		3b	Ø 125/160	70 232
1a	Ø 110	680 063	3c	with stainless steel cladding Ø 110	70 233
1b	Ø 125/160	680 064	3d	with stainless steel cladding Ø 125/160	70 234
2	Lockable cover <i>Staufix</i> with emergency closure incl. seal		4	Slide-in flap housing incl. seal	
2a	Ø 110	70 261	4a	Ø 110	70 241
2b	Ø 125/160	70 262	4b	Ø 125/160	70 242
2c	Ø 200	70 203	4c	and flap, Ø 200	70 205
3	Backwater flap		5	High-performance grease for backwater valves, 12 g	681 001
3a	Ø 110	70 231			

Backwater valve *Staufix Basic*

Installation in an exposed wastewater pipe, up to model year 03/2005, orange



Figure shows art. no. 72 100



Item	Designation	Art. no.
1	Lockable cover <i>Staufix</i> , with emergency closure, without screws	
1a	Ø 110	70 103
1b	Ø 125	70 128
1c	Ø 160	70 153
1d	Ø 200	70 203
2	Seal set <i>Staufix</i>	
2a	Ø 110	70 115
2b	Ø 125	70 116
2c	Ø 160	70 117

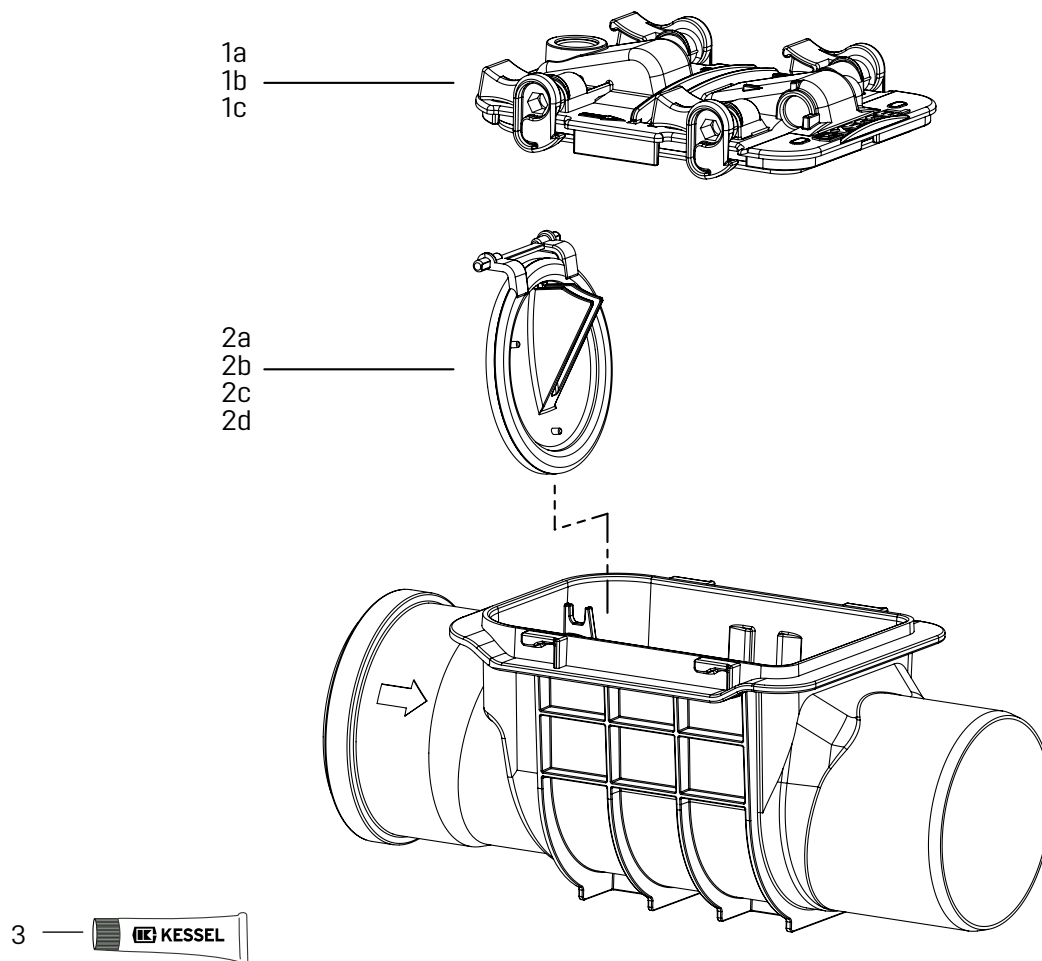
Item	Designation	Art. no.
2d	Ø 200	70 118
3	Push-in flap housing with flap and seal	
3a	Ø 110	70 104
3b	Ø 125	70 129
3c	Ø 160	70 154
4	Screw	
4a	for lockable cover Ø 110 – 160 (1 ea.)	70 106
4b	for lockable cover Ø 200 (1 ea.)	680 008
5	High-performance grease for backwater valves, 12 g	681 001

Backwater valve *Staufix Basic*

Installation in an exposed wastewater pipe, beginning model year 04/2005, orange



Figure shows art. no. 71 100



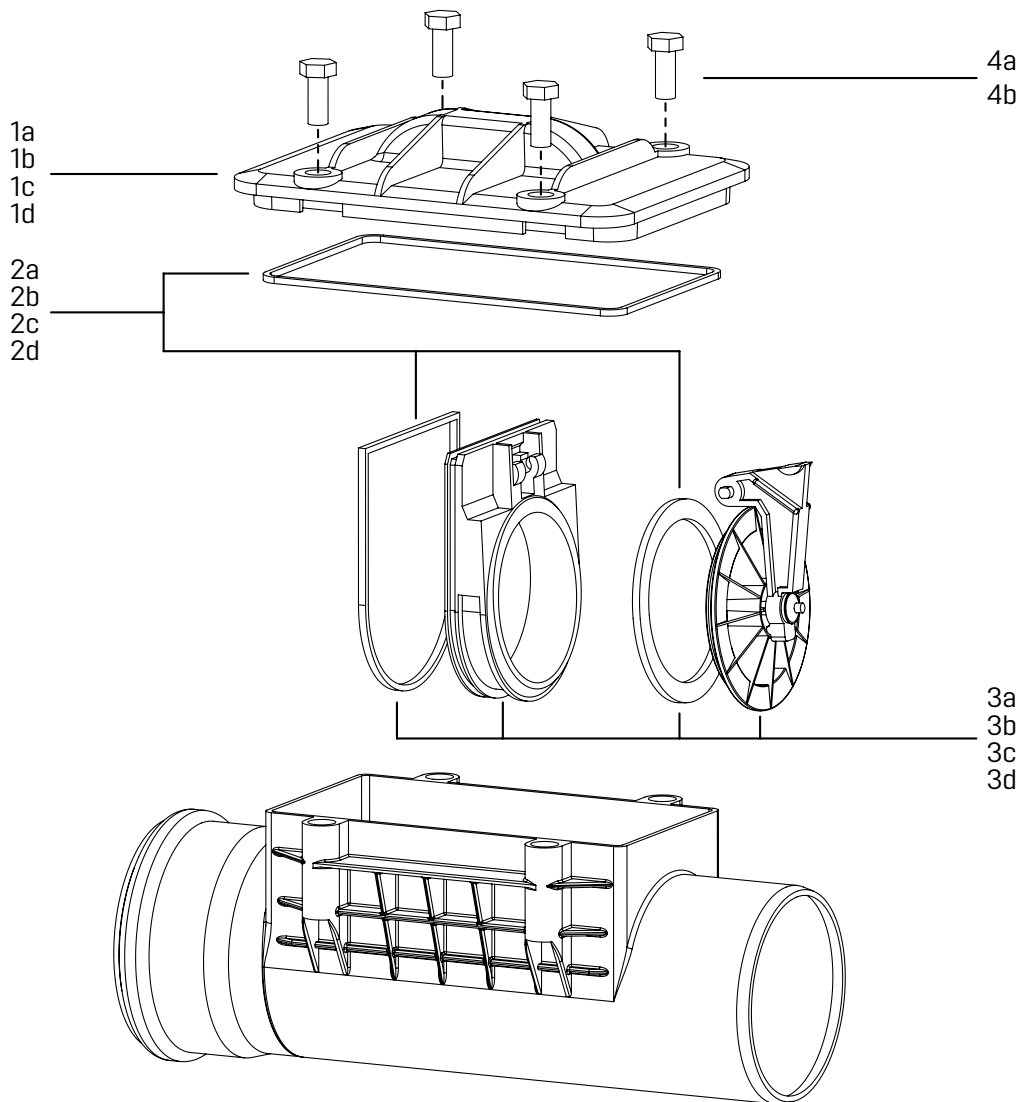
Item	Designation	Art. no.	Item	Designation	Art. no.
1	Lockable cover <i>Staufix</i> , with seal		2c	with stainless steel cladding Ø 110	70 233
1a	Ø 110	70 251	2d	with stainless steel cladding Ø 125/160	70 234
1b	Ø 125/160	70 252	3	High-performance grease for backwater valves, 12 g	681 001
1c	Ø 200	70 201		Screw for lockable cover Ø 200, 1 ea. (not illustrated)	680 008
2	Backwater flap			Seal set for Ø 200 (not illustrated)	70 118
2a	Ø 110	70 231		Slide-in flap housing for Ø 200 (not illustrated)	70 205
2b	Ø 125/160	70 232			

Backwater valve *Staufix Basic*

Installation in an exposed wastewater pipe, up to model year 03/2005, orange



Figure shows art. no. 71 100



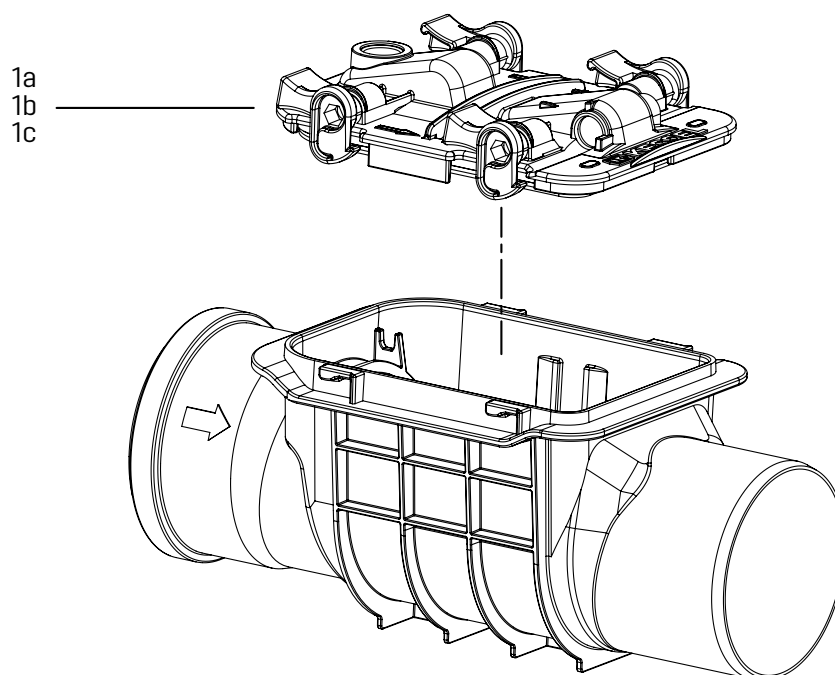
Item	Designation	Art. no.	Item	Designation	Art. no.
1	Lockable cover <i>Staufix</i> without screws		3	Slide-in flap housing with flap and seal	
1a	Ø 110	70 101	3a	Ø 110	70 105
1b	Ø 125	70 126	3b	Ø 125	70 130
1c	Ø 160	70 151	3c	Ø 160	70 155
1d	Ø 200	70 201	3d	Ø 200	70 205
2	Seal set <i>Staufix</i>		4	Screw	
2a	Ø 110	70 115	4a	for lockable cover Ø 110 – 160 (1 ea.)	70 106
2b	Ø 125	70 116	4b	for lockable cover Ø 200 (1 ea.)	680 008
2c	Ø 160	70 117	5	High-performance grease for backwater valves, 12 g	681 001
2d	Ø 200	70 118			

Clean out *Staufix Basic*

Installation in an exposed wastewater pipe, beginning model year 04/2005, orange



Figure shows art. no. 70 100



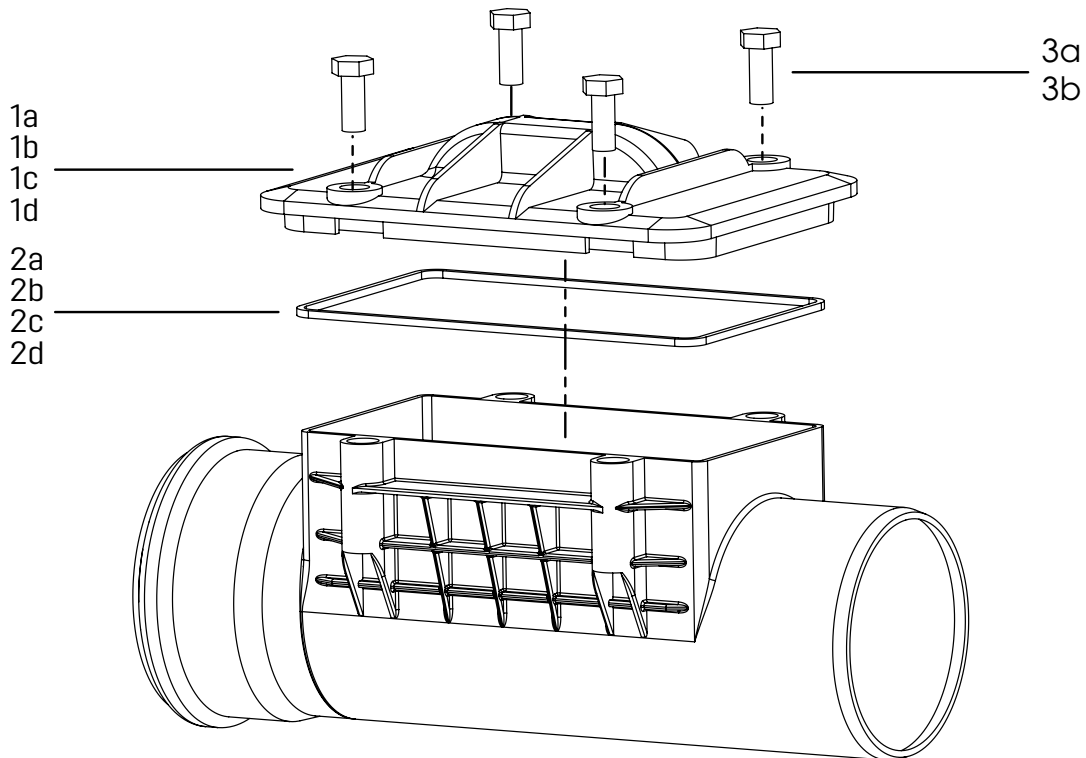
Item	Designation	Art. no.	Item	Designation	Art. no.
1	Lockable cover <i>Staufix</i> , with seal				
1a	Ø 110	70 251			
1b	Ø 125/160	70 252			
1c	Ø 200	70 201			
	Screw for lockable cover Ø 200, 1 ea. (not illustrated)	680 008			

Clean out *Staufix Basic*

Installation in an exposed wastewater pipe, up to model year 03/2005, orange



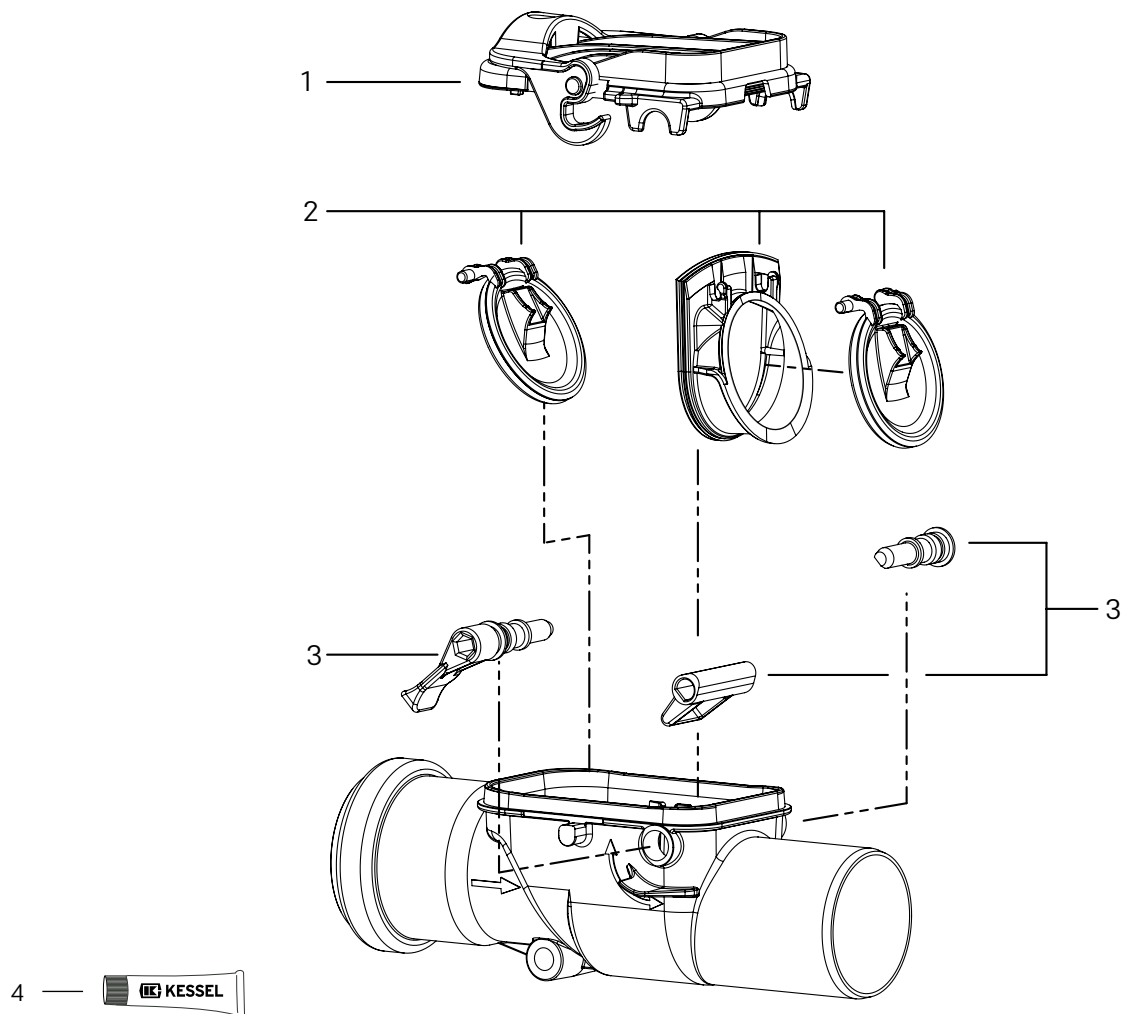
Figure shows art. no. 70 100



Item	Designation	Art. no.	Item	Designation	Art. no.
1	Lockable cover <i>Staufix</i> without screws		2b	Ø 125	70 116
1a	Ø 110	70 101	2c	Ø 160	70 117
1b	Ø 125	70 126	2d	Ø 200	70 118
1c	Ø 160	70 151	3	Screw	
1d	Ø 200	70 201	3a	for lockable cover Ø 110 - 160 (1 ea.)	70 106
2	Seal set <i>Staufix</i>		3b	for lockable cover Ø 200 (1 ea.)	680 008
2a	Ø 110	70 115			

Backwater valve *Staufix* Ø 50

Installation in an exposed wastewater pipe

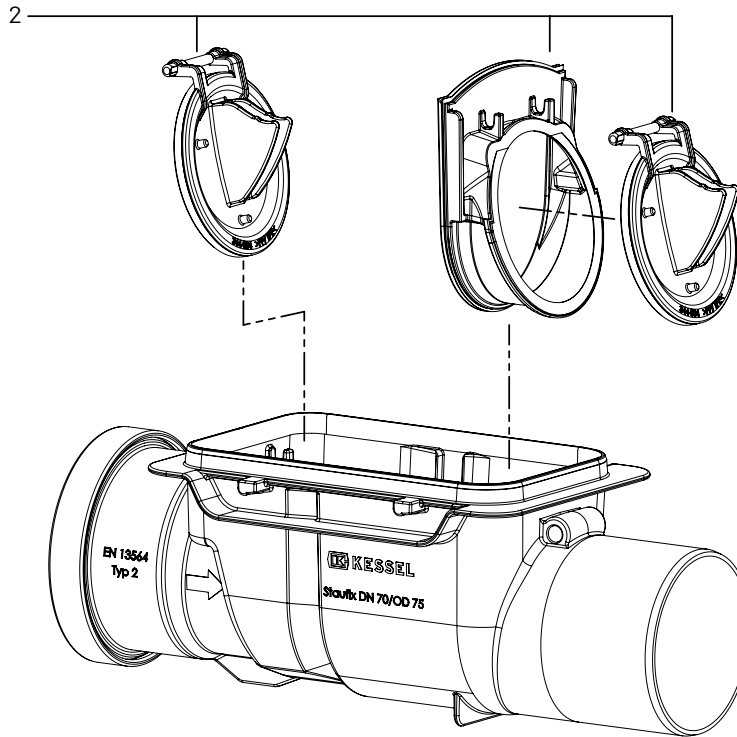
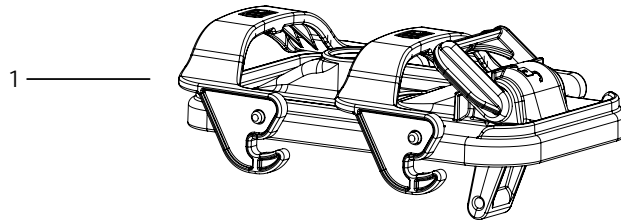


Item	Designation	Art. no.
1	Lockable cover Ø 50, with seal	70 053
2	Flap set Ø 50, slide-in flap housing with two flaps	70 055
3	Emergency closure lever, bolt, locking device and 2 × O-ring	70 056
4	High-performance grease for backwater valves, 12 g	681 001

Item	Designation	Art. no.
------	-------------	----------

Backwater valve *Staufix* Ø 75

Installation in an exposed wastewater pipe

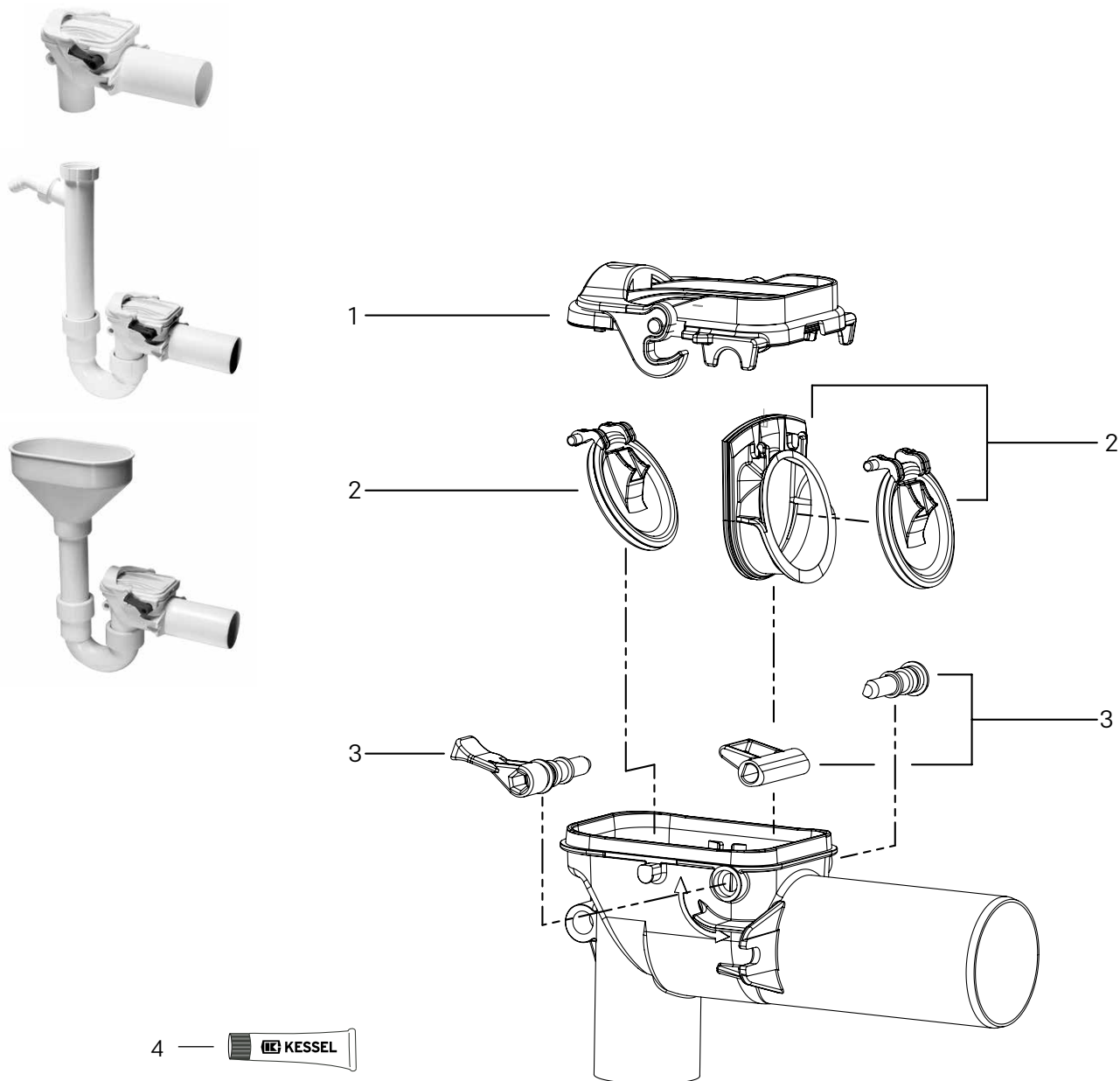


Item	Designation	Art. no.
1	Lockable cover with emergency closure and seal	70 073
2	Flap set Ø 75, slide-in flap housing with two flaps	70 075
3	High-performance grease for backwater valves, 12 g	681 001

Item	Designation	Art. no.
------	-------------	----------

Backwater valve *Staufix siphon* Ø 50

Installation in an exposed wastewater pipe

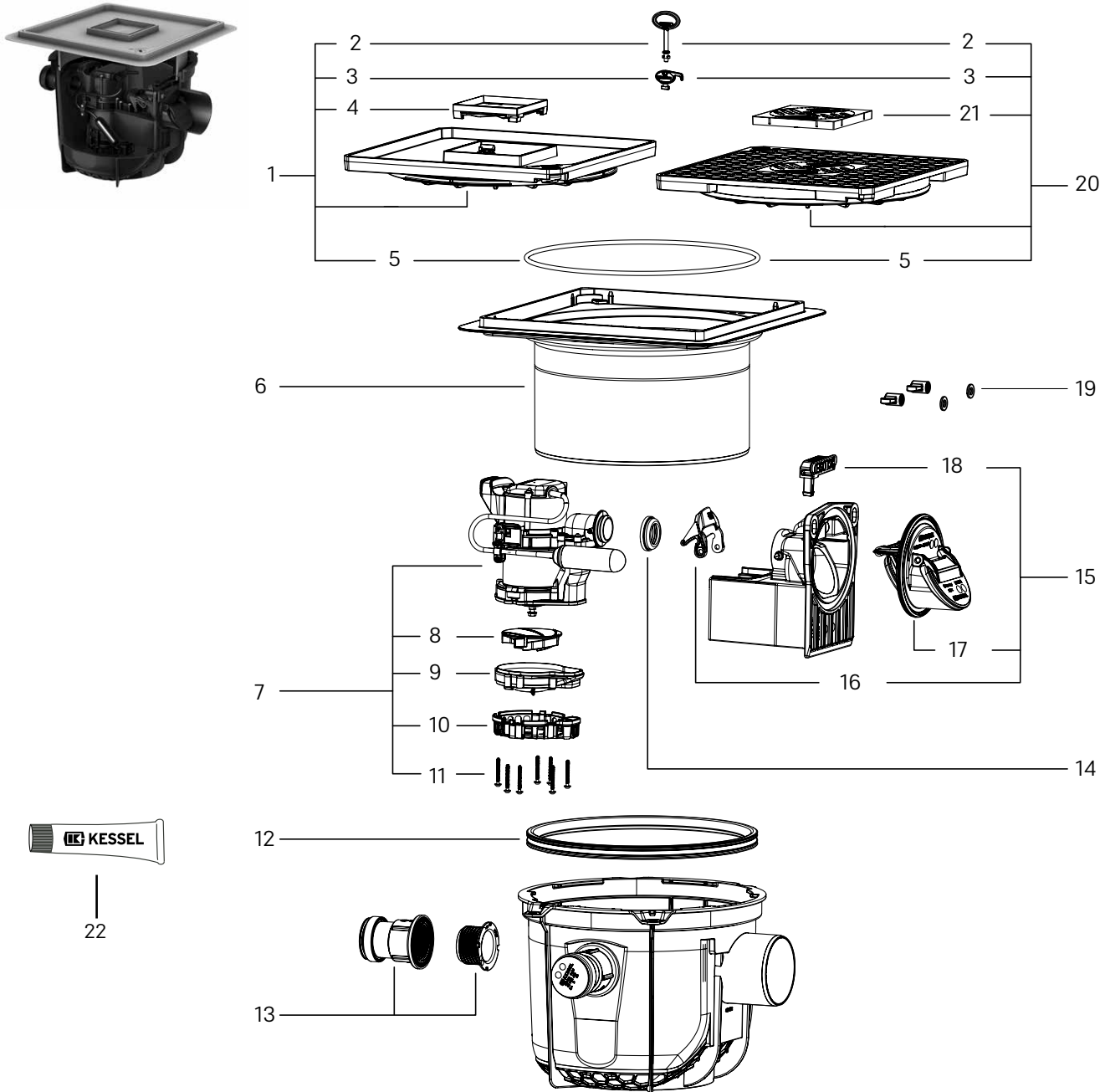


Item	Designation	Art. no.
1	Lockable cover, with seal	70 054
2	Flap set Ø 50, slide-in flap housing with two flaps	70 055
3	Emergency closure lever, bolt, locking device and 2 × O-ring	70 056
4	High-performance grease for backwater valves, 12 g	681 001

Item	Designation	Art. no.
------	-------------	----------

Backwater pumping station *Pumpfix S*

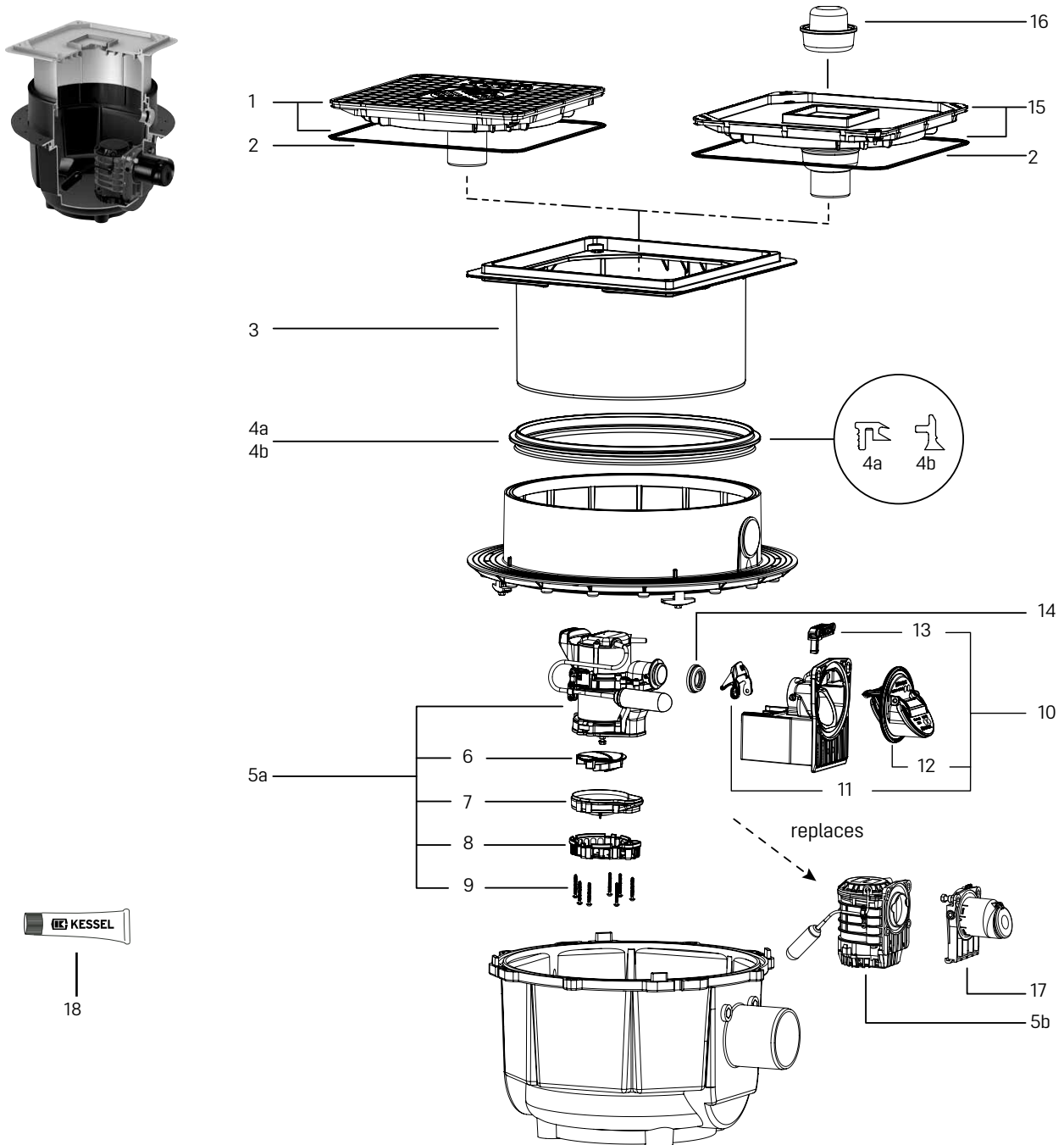
Installation in the floor slab, beginning model year 02/2020



Item	Designation	Art. no.	Item	Designation	Art. no.
1	Cover plate, tileable with drain, stone grey, with seal	830 054	12	Lip seal System 330	686 115
2	Release key for <i>Lock & Lift</i> cover plates	67 007	13	Inlet connection made of polymer Ø 50	39 005
3	Release key for <i>Lock & Lift</i> insert gratings	680 702	14	Seal for pressure pipe connection	680 067
4	Drain cover, tileable, <i>Lock & Lift</i> , ABS	680 224	15	Flap housing with 2 backwater flaps and emergency closure	680 829
5	Seal for cover plate, System 330 mm	686 114	16	One-handed closure for backflow preventer	680 018
6	Upper section, d: 300 mm, height up to 170 mm	830 061	17	Slide-in flap housing with two backwater flaps	680 884
7	Replacement pump GTF 500 with float switch	680 828	18	Emergency closure lever for flap housing, incl. seals	680 883
8	Multi-vane impeller for GTF 500	680 767	19	Wing and hexagon nut set comprising 2× M8 and 2 × M10	680 830
9	Spiral housing for GTF 500	680 768	20	Cover plate, black, with slotted grating and seal	830 053
10	Intake cage for GTF 500	680 770	21	Slotted insert grating, 138 × 138 mm, polymer	60 101S
11	Screw set for intake cage GTF 500	680 769	22	High-performance grease for backwater valves, 12 g	681 001

Backwater pumping station *Pumpfix S*

Installation in the floor slab, up to model year 01/2020

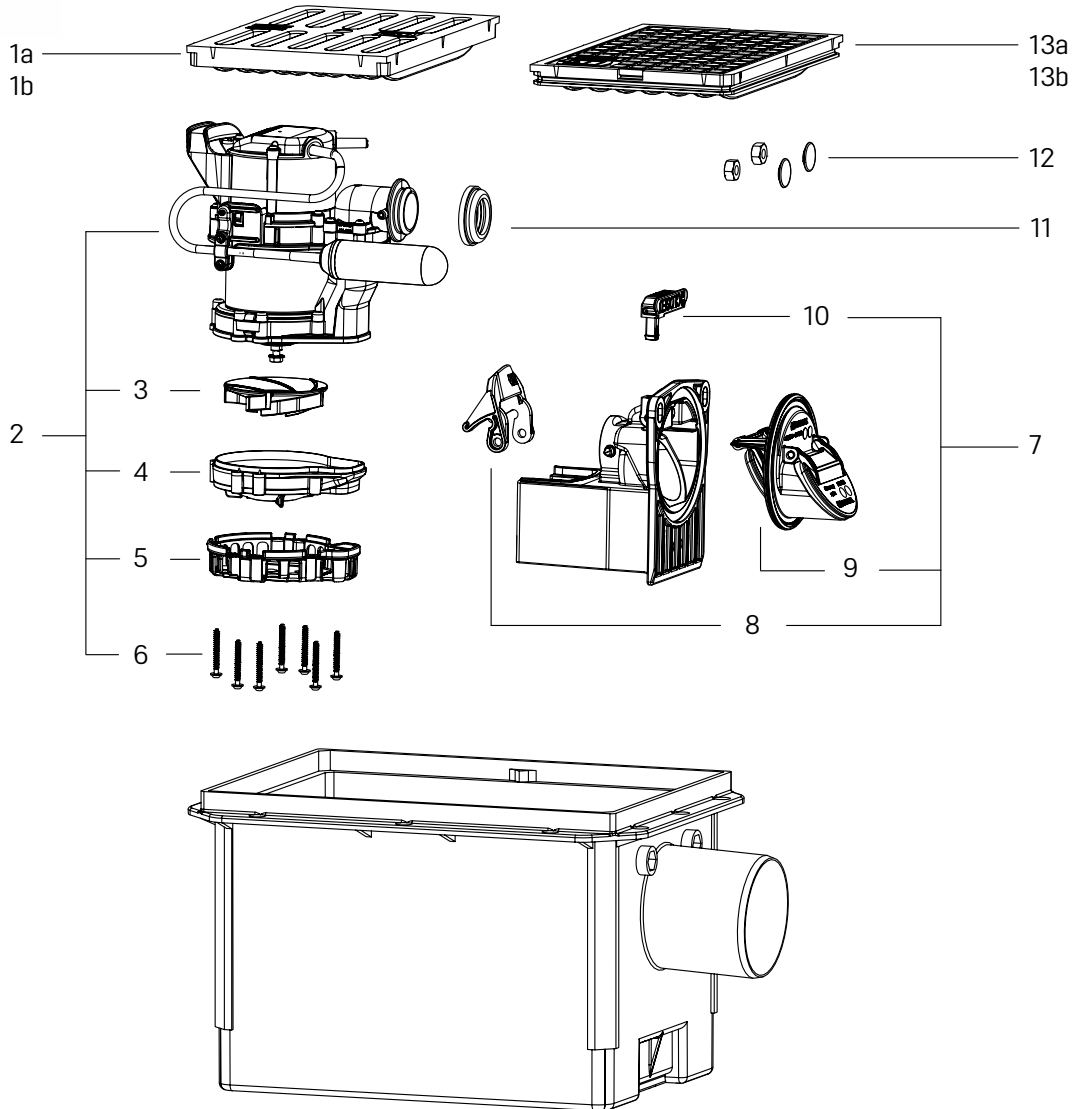


Item	Designation	Art. no.	Item	Designation	Art. no.
1	Cover plate, black, with drain and seal	83 046	8	Intake cage for GTF 500	680 770
2	Seal for cover plate 384 × 384 mm	680 025	9	Screw set for intake cage GTF 500	680 769
3	Upper section, height-adjustable up to 180 mm	83 061	10	Flap housing with 2 backwater flaps and emergency closure	680 829
4	Seal for upper section		11	One-handed closure for backflow preventer	680 018
4a	up to model year 06/2014	680 026	12	Slide-in flap housing with two backwater flaps	680 884
4b	beginning model year 07/2014	680 150	13	Emergency closure lever for flap housing, incl. seals	680 883
5a	Replacement pump GTF 500 with float switch	680 828	14	Seal for pressure pipe connection	680 067
5b	Replacement pump with odour trap and float switch	*	15	Cover plate, tileable with drain and seal	83 055
6	Multi-vane impeller for GTF 500	680 767	16	Odour trap, sealing water height 50 mm	47 200
7	Spiral housing for GTF 500	680 768	17	Backwater valve, module for <i>Pumpfix S</i> with two flaps	28 004
			18	High-performance grease for backwater valves, 12 g	681 001

* In case of pump replacement, the successor pump (art. no. 680 828) and successor adapter (art. no. 680 829) are required.

Backwater pumping station *Pumpfix S*

Installation in the floor slab, beginning model year 02/2020



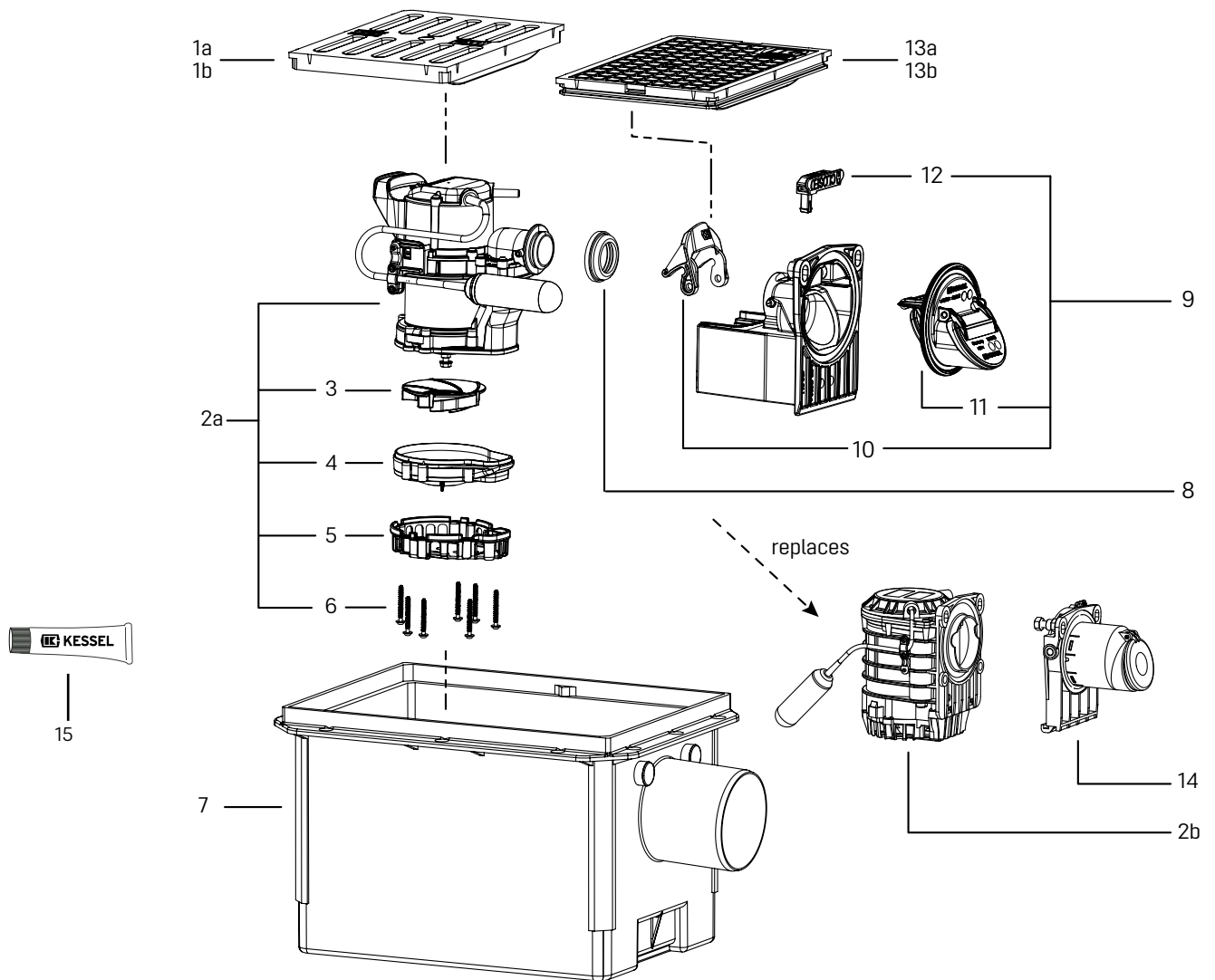
14

Item	Designation	Art. no.
1	Slotted grating	
1a	Polymer, white, 276 × 191 mm	30 001W
1b	made of polymer, black, 276 × 191 mm	30 001S
2	Replacement pump GTF 500 with float switch	680 828
3	Multi-vane impeller for GTF 500	680 767
4	Spiral housing for GTF 500	680 768
5	Intake cage for GTF 500	680 770
6	Screw set for intake cage GTF 500	680 769
7	Flap housing with 2 backwater flaps and emergency closure	680 829

Item	Designation	Art. no.
8	One-handed closure for backflow preventer	680 018
9	Slide-in flap housing with two backwater flaps	680 884
10	Emergency closure lever for flap housing, incl. seals	680 883
11	Seal for pressure pipe connection	680 067
12	Wing and hexagon nut set comprising 2× M8 and 2× M10	680 830
13	Cover plate	
13a	white 276 × 191 mm	30 003W
13b	black 276 × 191 mm	30 003S
14	High-performance grease for backwater valves, 12 g	681 001

Backwater pumping station *Pumpfix S*

Installation in the floor slab, up to model year 01/2020



Item	Designation	Art. no.	Item	Designation	Art. no.
1	Slotted grating		8	Seal for pressure pipe connection	680 067
1a	Polymer, white, 276 × 191 mm	30 001W	9	Flap housing with 2 backwater flaps and emergency closure	680 829
1b	made of polymer, black, 276 × 191 mm	30 001S	10	One-handed closure for backflow preventer	680 018
2a	Replacement pump GTF 500 with float switch	680 828	11	Slide-in flap housing with two backwater flaps	680 884
2b	Replacement pump with odour trap and float switch	*	12	Emergency closure lever for flap housing, incl. seals	680 883
3	Multi-vane impeller for GTF 500	680 767	13	Cover plate	
4	Spiral housing for GTF 500	680 768	13a	white 276 × 191 mm	30 003W
5	Intake cage for GTF 500	680 770	13b	black 276 × 191 mm	30 003S
6	Screw set for intake cage GTF 500	680 769	14	Backwater valve, module for <i>Pumpfix S</i> with two flaps	28 004
7	Grundkörper Größe 3, mit Ablauf DN 100	680 763	15	High-performance grease for backwater valves, 12 g	681 001

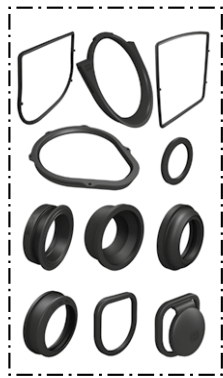
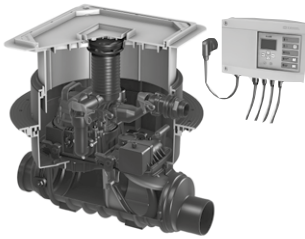
* In case of pump replacement, the successor pump (art. no. 680 828) and successor adapter (art. no. 680 829) are required.

2. Hybrid lifting stations

Backwater lifting station <i>Ecolift</i>	48
Technical module <i>Ecolift XL Mono/Duo</i>	50
Technical module <i>Ecolift XL Mono/Duo</i> for minimum depth installation	52
Engineering chamber system with upper sections	54

Backwater lifting station *Ecolift*

Installation in the floor slab

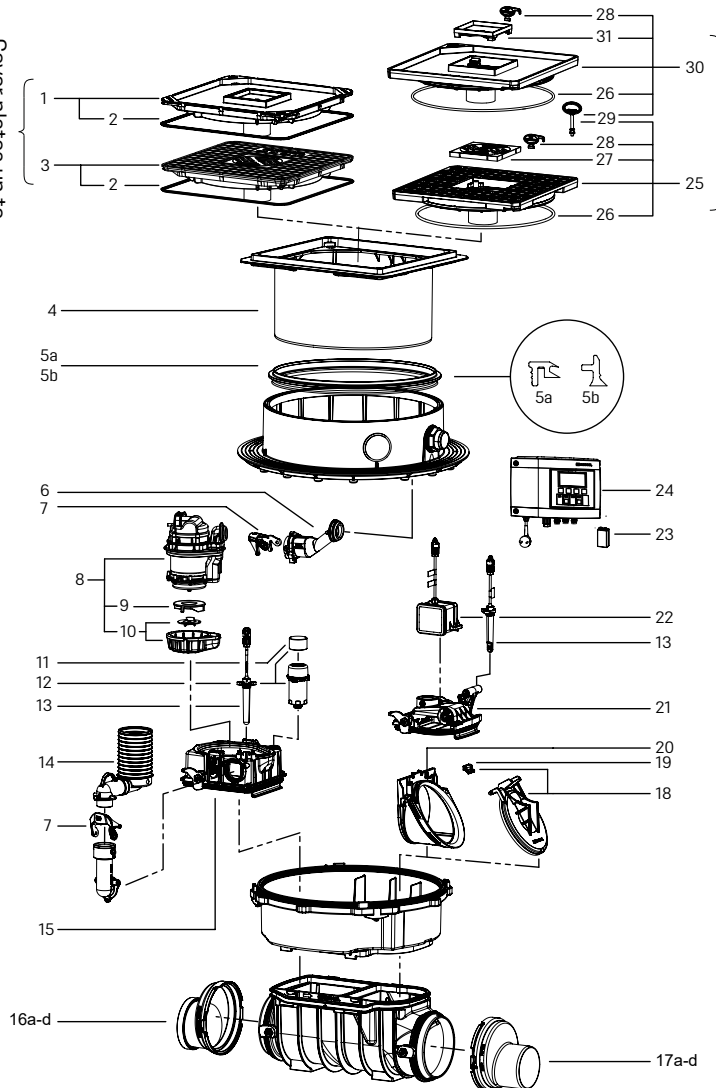


32



33

Cover plates up to model year 01/2020



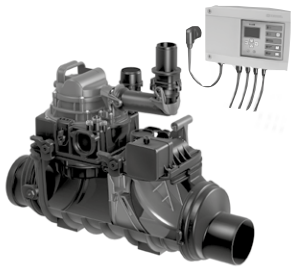
Cover plates beginning model year 02/2020

Item	Designation	Art. no.
1	Cover plate, tileable with drain, <i>Multistop</i> and seal	83 045
2	Seal for cover plate 384 × 384 mm	680 025
3	Cover plate, black with drain, <i>Multistop</i> and seal	83 046
4	Upper section, Ø 330 mm, height-adjustable up to 170 mm, beginning 02/2020	830 061
5a	Seal for upper section up to model year 06/2014	680 026
5b	Seal for upper section beginning model year 07/2014	680 150
6	Pressure pipe connection <i>Ecolift</i> , installation in the floor slab	680 105
7	One-handed closure for backflow preventer	680 018
8	Replacement pump KTP/SPZ 1000 230 V, with 5 m cable	28 351
9	Impeller KTP/SPZ 1000, without intake cover	680 035
10	Replacement macerator set	28 075
11	Activated carbon filter (5 ea.)	28 061
12	Ventilation with activated carbon filter	28 060
13	Spare parts set, optical probe, 5 m cable with 3 adapters	80 888
14	Connector drain Ø 70, with seal	680 215
15	Lockable cover Comfort, inlet side, with drain connection	28 054
16	Socket incl. seal	
16a	Ø 110	83 085
16b	Ø 125	83 086
16c	Ø 160	83 087
16d	Ø 200	83 088

Item	Designation	Art. no.
17	Spigot incl. seal	
17a	Ø 110	83 081
17b	Ø 125	83 082
17c	Ø 160	83 083
17d	Ø 200	83 084
18	Motor-driven backwater flap, with flap holder	80 038
19	Flap holder for motor-driven and mechanical flap	680 101
20	Slide-in flap housing for motor-driven flap, with flap holder	80 039
21	Lockabe cover <i>Ecolift</i> , outlet side	21 056
22	Motor, ready to plug in, 5 m cable	80 076
23	Battery, 9 V block	680 034
24	Control unit, Comfort 230 V, <i>Ecolift</i> , <i>Pumpfix F</i>	28 071
25	Cover plate, black with drain body, <i>Multistop</i> , 366 × 366 mm, beginning 02/2020	830 046
26	Seal for cover plate System 330 mm	686 114
27	Slotted insert grating, 138 × 138 mm, polymer	60 101S
28	Release key for <i>Lock & Lift</i> insert gratings	680 702
29	Release key for <i>Lock & Lift</i> cover plates	67 007
30	Cover plate, tileable with drain body, <i>Multistop</i> , 366 × 366 mm, beginning 02/2020	830 045
31	Drain cover, tileable, <i>Lock & Lift</i> , ABS	680 224
32	Seal set for <i>Pumpfix F</i> and <i>Ecolift</i>	70 319
33	High-performance grease for backwater valves, 12 g	681 001

Backwater lifting station *Ecolift*

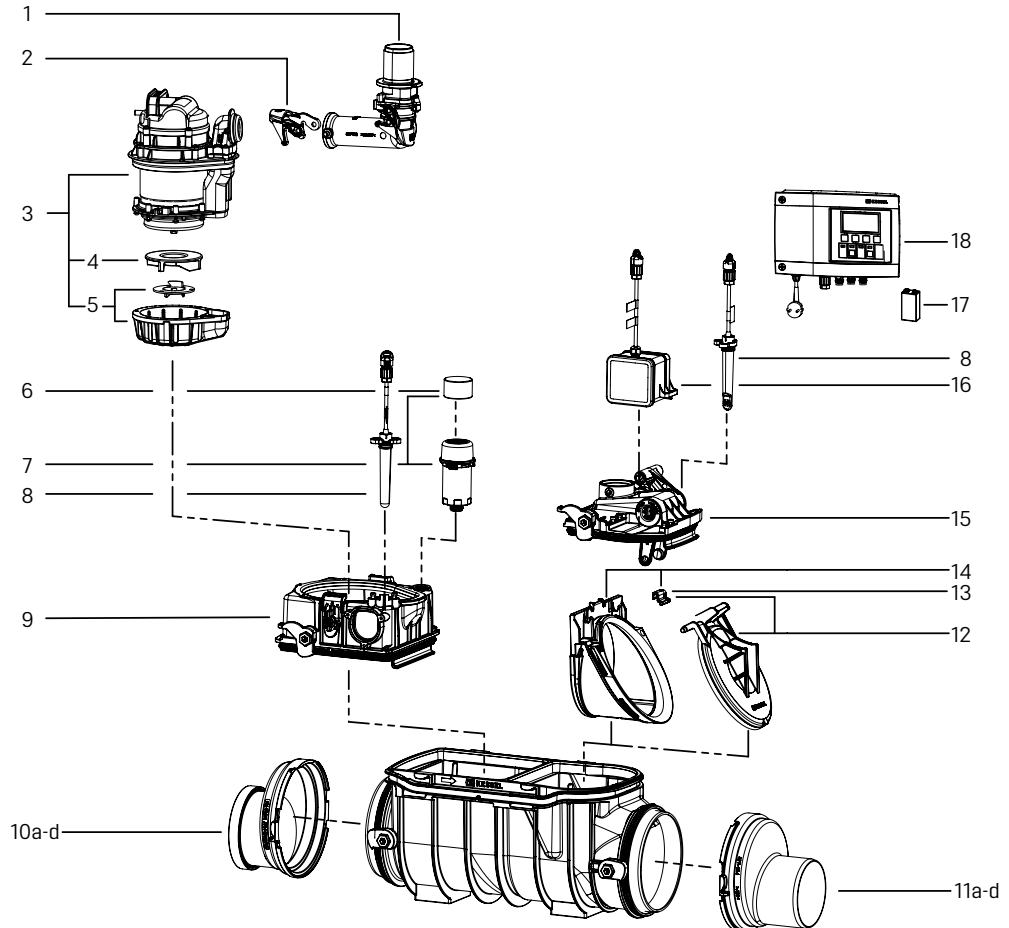
Installation in an exposed wastewater pipe



19



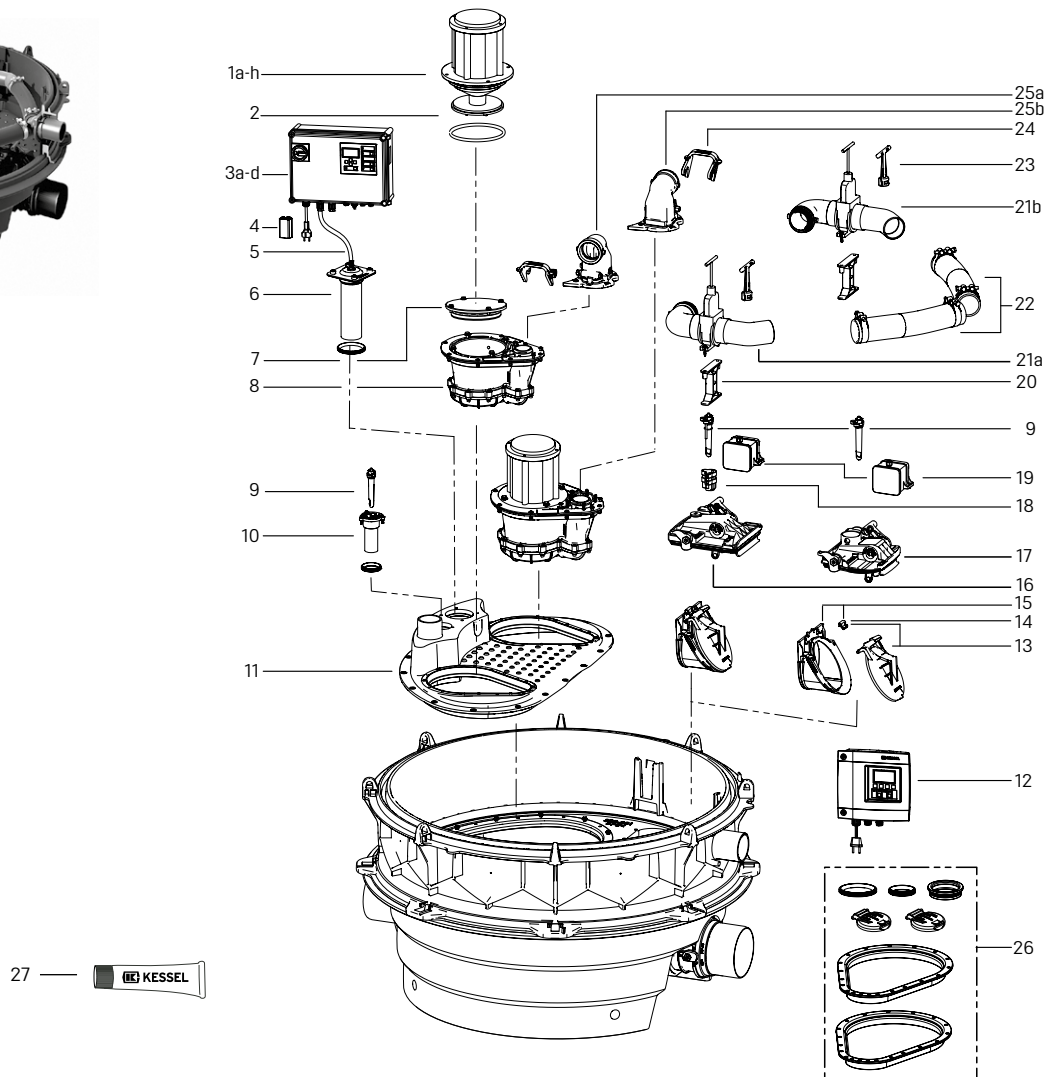
20



Item	Designation	Art. no.	Item	Designation	Art. no.
1	Pressure pipe connection <i>Ecolift</i> , installation in an exposed wastewater pipe	680 102	11	Spigot incl. seal	
2	One-handed closure for backflow preventer	680 018	11a	Ø 110	83 081
3	Replacement pump KTP/SPZ1000 230 V, with 5 m cable	28 351	11b	Ø 125	83 082
4	Impeller KTP/SPZ 1000, without intake cover	680 035	11c	Ø 160	83 083
5	Replacement macerator set	28 075	11d	Ø 200	83 084
6	Activated carbon filter (5 ea.)	28 061	12	Motor-driven backwater flap, with flap holder	80 038
7	Ventilation incl. activated carbon filter	28 060	13	Flap holder for motor-driven and mechanical flap	680 101
8	Spare parts set, optical probe, 5 m cable with 3 adapters	80 888	14	Slide-in flap housing for motor-driven flap, with flap holder	80 039
9	Lockable cover Comfort, inlet side, with drain connection	28 052	15	Lockable cover <i>Ecolift</i> , outlet side	21 056
10	Socket incl. seal		16	Motor, ready to plug in, 5 m cable	80 076
10a	Ø 110	83 085	17	Battery, 9 V block	680 034
10b	Ø 125	83 086	18	Control unit, Comfort 230 V, <i>Ecolift</i> and <i>Pumpfix F</i>	28 071
10c	Ø 160	83 087	19	Seal set for <i>Pumpfix F</i> and <i>Ecolift</i>	70 319
10d	Ø 200	83 088	20	High-performance grease for backwater valves, 12 g	681 001

Technical module *Ecolift XL*

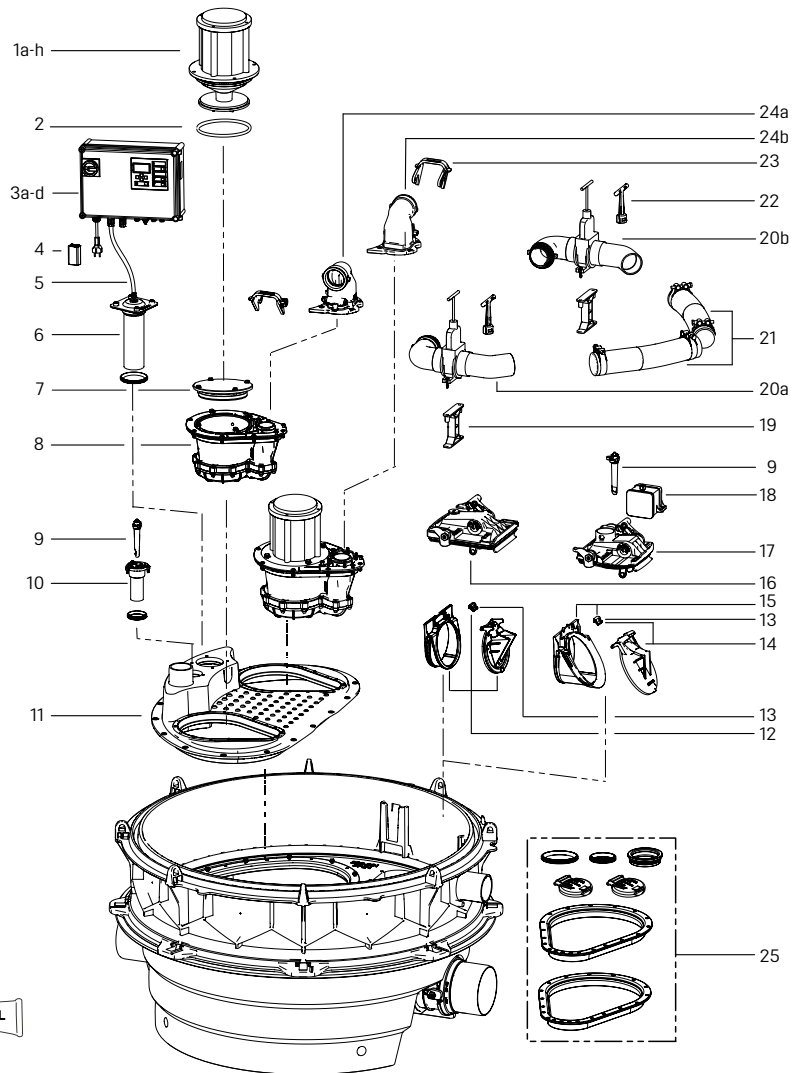
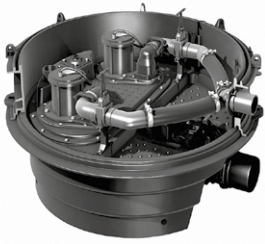
Installation in concrete slab / free-standing set-up, with two motor-driven flaps



Item	Designation	Art. no.	Item	Designation	Art. no.
1	Motor (with 10 m cable)		10	Splash protection set for optical probe	28 706
1a	230 V, SPF 1400 S3	680 218	11	Pump plate	680 399
1b	230 V, SPF 1400 S1	680 219	12	Control unit <i>Ecolift XL</i> Type 6 for redundant closure	28 791
1c	400 V, SPF 1500 S3	680 098	13	Motor-driven backwater flap, with flap holder	80 038
1d	400 V, SPF 1500 S1	680 445	14	Flap holder for motor-driven and mechanical flap	680 101
1e	400 V, SPF 3000 S3	680 524	15	Slide-in flap housing for motor-driven flap, with flap holder	80 039
1f	400 V, SPF 3000 S1	680 444	16	Lockable cover, <i>Ecolift XL</i> inlet side	680 390
1g	400 V, SPF 4500 S3	680 442	17	Lockable cover, <i>Ecolift XL</i> outlet side	680 391
1h	400 V, SPF 4500 S1	680 443	18	Height adapter for <i>Ecolift XL</i> optical probe	680 379
2	Seal for SPF 1400 – SPF 4500	680 052	19	Motor for connecting, 10 m cable	680 452
3	Control unit		20	Support rib for shut-off valve, straight support	680 397
3a	Comfort PLUS 400 V 2.5 – 4.0 A	28 786	21	Pressure pipe with shut-off valve in flow direction	
3b	Comfort PLUS 400 V 4.0 – 6.3 A	28 787	21a	Right-hand version	680 384
3c	Comfort PLUS 400 V 6.3 – 10.0 A	28 788	21b	Left-hand version	680 383
3d	Comfort PLUS 230 V 6.3 – 10.0 A	28 790	22	Pressure hose <i>Ecolift XL</i>	680 385
4	Battery, 9 V block	680 034	23	Fastening clip for shut-off valve Ø 63	680 386
5	Pressure hose, 6 × 4 mm, 100 natural (sold by the metre)	680 071	24	One-handed closure, quick-release closure Ø 63	680 380
6	Immersion pipe for <i>Ecolift XL</i> , 180 mm	680 827	25	Backflow preventer with non-return flap	
7	Cover for pump flange, Ø 220 mm	680 460	25a	in flow direction, right	680 382
8	Pump flange	680 398	25b	in flow direction, left	680 381
9	Spare parts set, optical probe with three adapters, 10 m cable	680 455	26	Seal set <i>Ecolift XL</i>	680 418
			27	High-performance grease for backwater valves, 12 g	681 001

Technical module *Ecolift XL*

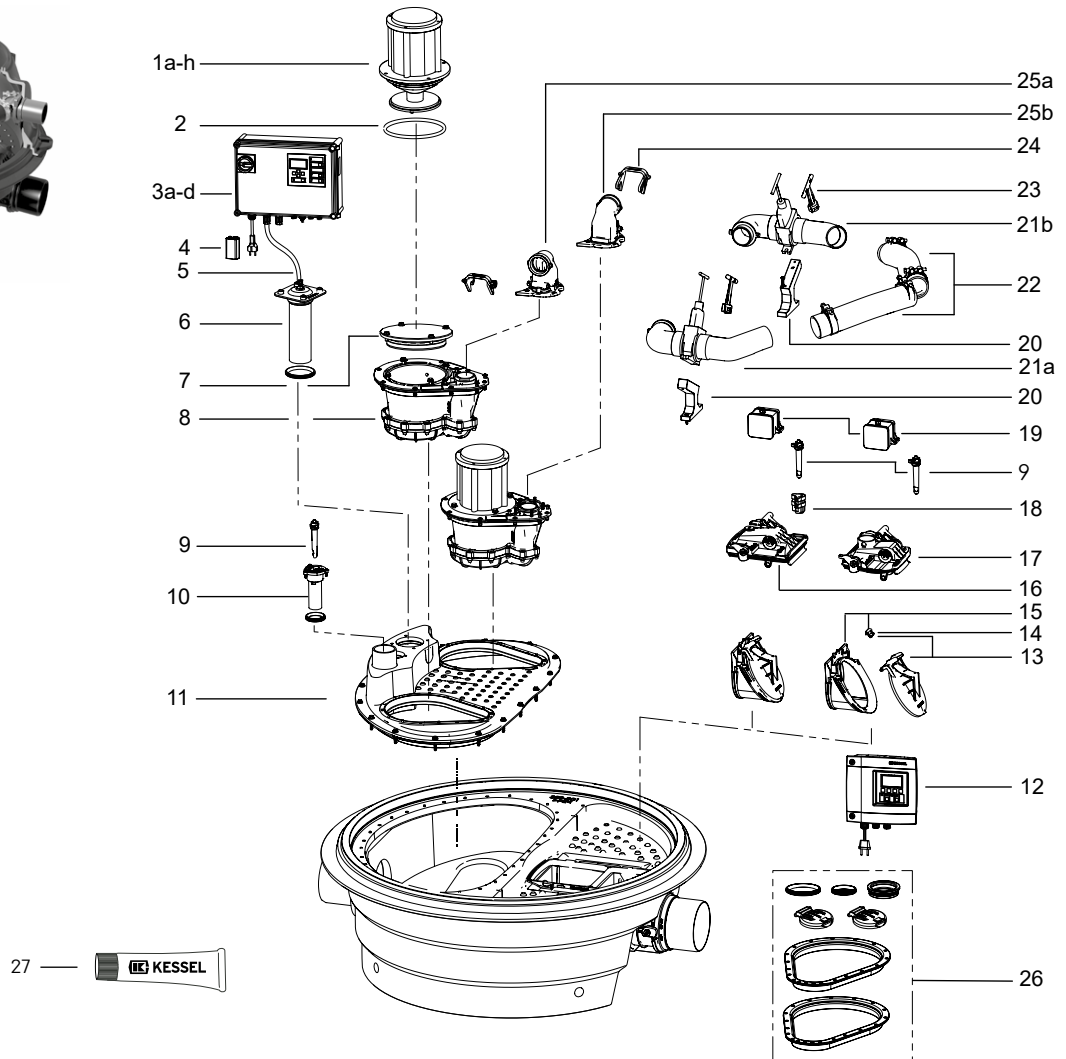
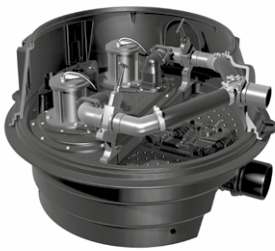
Installation in concrete slab / free-standing set-up, with one motor-driven and one mechanical flap



Item	Designation	Art. no.	Item	Designation	Art. no.
1	Motor (with 10 m cable)		10	Splash protection set for optical probe	28 706
1a	230 V, SPF 1400 S3	680 218	11	Pump plate	680 399
1b	230 V, SPF 1400 S1	680 219	12	Slide-in flap housing with mechanical flap, flap holder	80 041
1c	400 V, SPF 1500 S3	680 098	13	Flap holder for motor-driven and mechanical flap	680 101
1d	400 V, SPF 1500 S1	680 445	14	Motor-driven backwater flap, with flap holder	80 038
1e	400 V, SPF 3000 S3	680 524	15	Slide-in flap housing for motor-driven flap, with flap holder	80 039
1f	400 V, SPF 3000 S1	680 444	16	Lockable cover, <i>Ecolift XL</i> inlet side	680 390
1g	400 V, SPF 4500 S3	680 442	17	Lockable cover, <i>Ecolift XL</i> outlet side	680 391
1h	400 V, SPF 4500 S1	680 443	18	Motor for connecting, 10 m cable	680 452
2	Seal for SPF 1400 – SPF 4500	680 052	19	Support rib for shut-off valve, straight support	680 397
3	Control unit		20	Pressure pipe with shut-off valve in flow direction	
3a	Comfort PLUS 400 V, 2.5 – 4.0 A	28 786	20a	Right-hand version	680 384
3b	Comfort PLUS 400 V, 4.0 – 6.3 A	28 787	20b	Left-hand version	680 383
3c	Comfort PLUS 400 V, 6.3 – 10.0 A	28 788	21	Pressure hose <i>Ecolift XL</i>	680 385
3d	Comfort PLUS 230 V, 6.3 – 10.0 A	28 790	22	Fastening clip for shut-off valve Ø 63	680 386
4	Battery, 9 V block	680 034	23	One-handed closure, quick-release closure Ø 63	680 380
5	Pressure hose, 6×4 mm 100 natural (sold by the metre)	680 071	24	Backflow preventer with non-return flap	
6	Immersion pipe for <i>Ecolift XL</i> , 180 mm	680 827	24a	in flow direction, right	680 382
7	Cover for pump flange, Ø 220 mm	680 460	24b	in flow direction, left	680 381
8	Pump flange	680 398	25	Seal set <i>Ecolift XL</i>	680 418
9	Spare parts set, optical probe with three adapters, 10 m cable	680 455	26	High-performance grease for backwater valves, 12 g	681 001

Technical module *Ecolift XL*

Minimum depth installation in concrete slab, with two motor-driven flaps

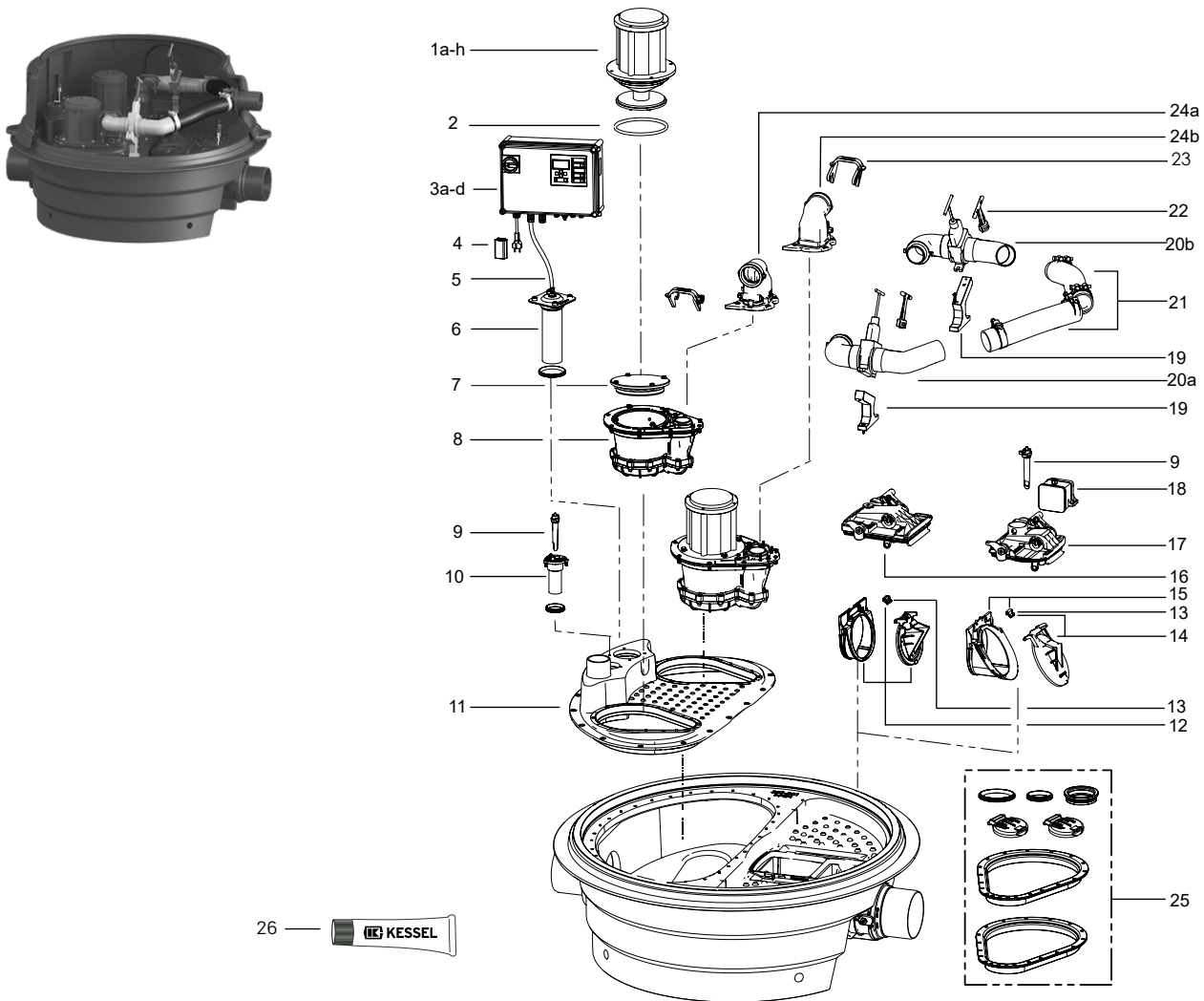


Item	Designation	Art. no.
1	Motor (with 10 m cable)	
1a	230 V, SPF 1400 S3	680 218
1b	230 V, SPF 1400 S1	680 219
1c	400 V, SPF 1500 S3	680 098
1d	400 V, SPF 1500 S1	680 445
1e	400 V, SPF 3000 S3	680 524
1f	400 V, SPF 3000 S1	680 444
1g	400 V, SPF 4500 S3	680 442
1h	400 V, SPF 4500 S1	680 443
2	Seal for SPF 1400 – SPF 4500	680 052
3	Control unit	
3a	Comfort PLUS 400 V 2.5 – 4.0 A	28 786
3b	Comfort PLUS 400 V 4.0 – 6.3 A	28 787
3c	Comfort PLUS 400 V 6.3 – 10.0 A	28 788
3d	Comfort PLUS 230 V 6.3 – 10.0 A	28 790
4	Battery, 9 V block	680 034
5	Pressure hose, 6x4 mm 100 natural (sold by the metre)	680 071
6	Immersion pipe for <i>Ecolift XL</i> , 180 mm	680 827
7	Cover for pump flange, d: 220 mm	680 460
8	Pump flange	680 398
9	Spare parts set, optical probe with three adapters, 10 m cable	680 455

Item	Designation	Art. no.
10	Splash protection set for optical probe	28 706
11	Pump plate	680 399
12	Control unit <i>Ecolift XL</i> Type 6 for redundant closure	28 791
13	Motor-driven backwater flap, with flap holder	80 038
14	Flap holder for motor-driven and mechanical flap	680 101
15	Slide-in flap housing for motor-driven flap, with flap holder	80 039
16	Lockable cover, <i>Ecolift XL</i> inlet side	680 390
17	Lockable cover, <i>Ecolift XL</i> outlet side	680 391
18	Height adapter for <i>Ecolift XL</i> optical probe	680 379
19	Motor for connecting, 10 m cable	680 452
20	Support rib for shut-off valve, slanted support	680 403
21	Pressure pipe with shut-off valve in flow direction	
21a	Sloped right-hand version	680 402
21b	Sloped left-hand version	680 401
22	Pressure hose Ø 63, L: 367 mm	680 400
23	Fastening clip for shut-off valve Ø 63	680 386
24	One-handed closure, quick-release closure Ø 63	680 380
25	Backflow preventer with non-return flap	
25a	in flow direction, right	680 382
25b	in flow direction, left	680 381
26	Seal set <i>Ecolift XL</i>	680 418
27	High-performance grease for backwater valves, 12 g	681 001

Technical module *Ecolift XL*

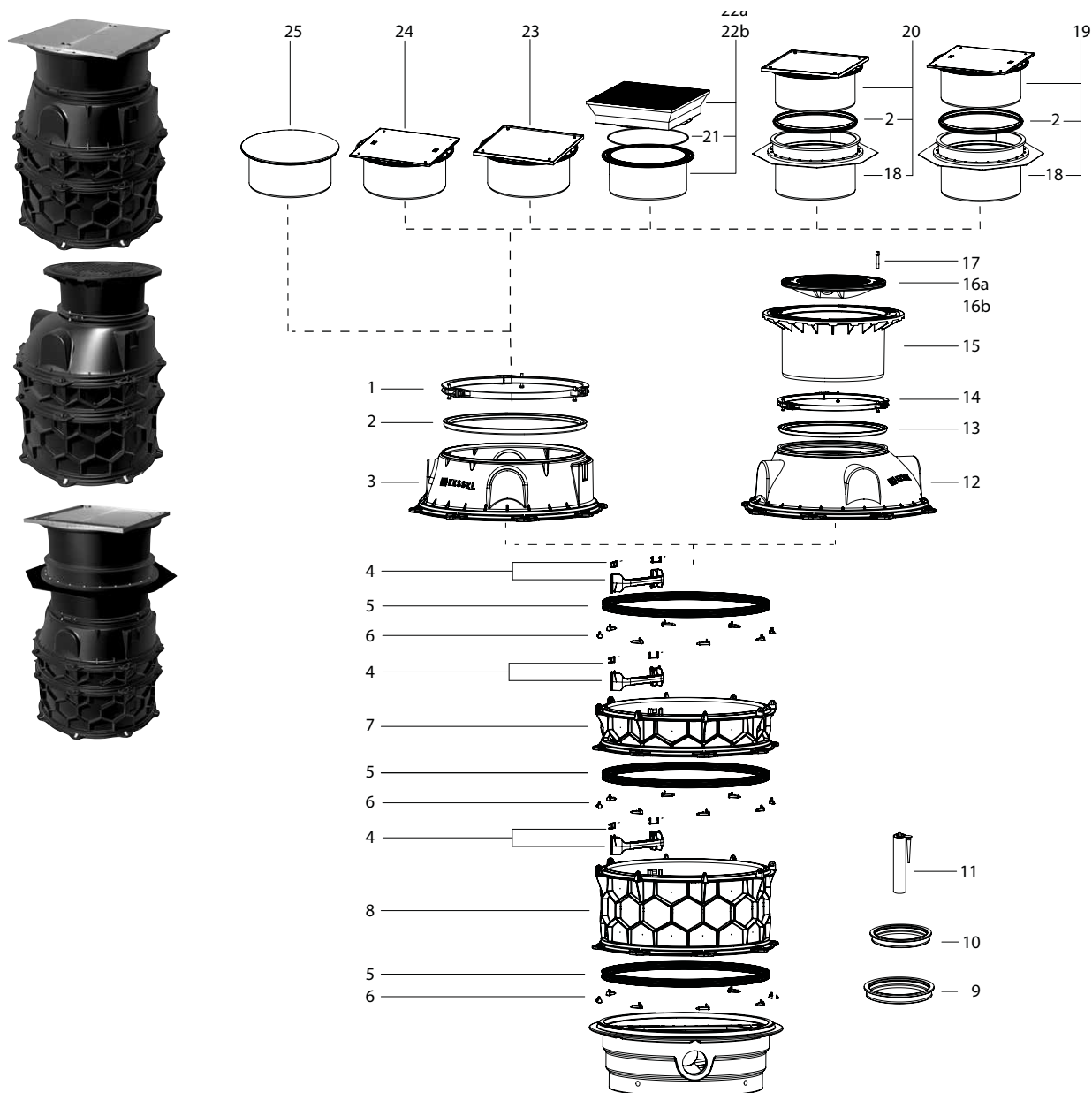
Minimum depth installation in the concrete slab, with a motor-driven and a mechanical flap



Item	Designation	Art. no.	Item	Designation	Art. no.
1	Motor (with 10 m cable)		10	Splash protection set for optical probe	28 706
1a	230 V, SPF 1400 S3	680 218	11	Pump plate	680 399
1b	230 V, SPF 1400 S1	680 219	12	Slide-in flap housing with mechanical flap, flap holder	80 041
1c	400 V, SPF 1500 S3	680 098	13	Flap holder for motor-driven and mechanical flap	680 101
1d	400 V, SPF 1500 S1	680 445	14	Motor-driven backwater flap, with flap holder	80 038
1e	400 V, SPF 3000 S3	680 524	15	Slide-in flap housing for motor-driven flap, with flap holder	80 039
1f	400 V, SPF 3000 S1	680 444	16	Lockable cover, <i>Ecolift XL</i> inlet side	680 390
1g	400 V, SPF 4500 S3	680 442	17	Lockable cover, <i>Ecolift XL</i> outlet side	680 391
1h	400 V, SPF 4500 S1	680 443	18	Motor for connecting, 10 m cable	680 452
2	Seal for SPF 1400 – SPF 4500	680 052	19	Support rib for shut-off valve, slanted support	680 403
3	Control unit		20	Pressure pipe with shut-off valve in flow direction	
3a	Comfort PLUS 400 V 2.5 – 4.0 A	28 786	20a	Sloped right-hand version	680 402
3b	Comfort PLUS 400 V 4.0 – 6.3 A	28 787	20b	Sloped left-hand version	680 401
3c	Comfort PLUS 400 V 6.3 – 10.0 A	28 788	21	Pressure hose Ø 63, L: 367 mm	680 400
3d	Comfort PLUS 230 V 6.3 – 10.0 A	28 790	22	Fastening clip for shut-off valve Ø 63	680 386
4	Battery, 9 V block	680 034	23	One-handed closure, quick-release closure Ø 63	680 380
5	Pressure hose, 6×4 mm 100 natural (sold by the metre)		24	Backflow preventer with non-return flap in flow direction	
6	Immersion pipe for <i>Ecolift XL</i> , 180 mm	680 827	24a	in flow direction, right	680 382
7	Cover for pump flange, d: 220 mm	680 460	24b	in flow direction, left	680 381
8	Pump flange	680 398	25	Seal set <i>Ecolift XL</i>	680 418
9	Spare parts set, optical probe with three adapters, 10 m cable	680 455	26	High-performance grease for backwater valves, 12 g	681 001

Engineering chamber system

Installation in the ground



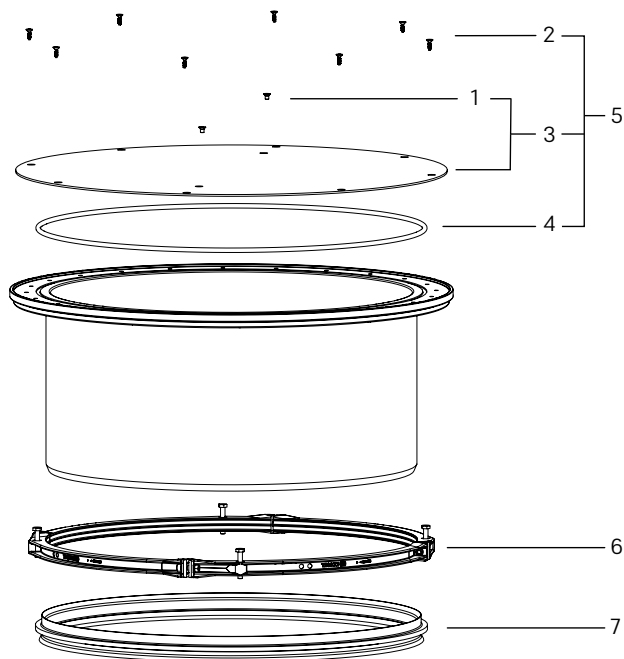
Item	Designation	Art. no.	Item	Designation	Art. no.
1	Clamping ring for upper sections, Ø 800 mm	680 568	16	Cover plate	
2	Seal for chamber module Ø 1000, Ø 800 mm	680 375	16a	class B, made of grey cast iron	860 118
3	Chamber taper section Ø 800 chamber module access	680 430	16b	class D, made of grey cast iron, locked	860 136
4	Hook-in access step for chamber module with protection	680 376	17	Screw M10×35 (1 St.)	860 900
5	Seal for intermediate section	680 125	18	Waterproof extension with sealing mat, for chamber module	680 378
6	Connection bolt set (10 ea.)	680 373	19	Upper section with cover plate Ø 800 with waterproof flange, cl. A/L 15 *	874 0178
7	Intermediate section 250 mm with access steps incl. protection	680 370	20	Upper section with cover plate Ø 800 tileable with waterproof flange, class K3 *	874 0176
8	Intermediate section 500 mm with access steps incl. protection	680 371	21	Seal for upper section	680 836
9	Conduit pipe seal, Ø 110	850 117	22	Upper section with cover plate, square, Ø 800	
10	Conduit pipe seal, Ø 75	850 116	22a	for class B	874 0179
11	Glue for seal (Item 21)	680 940	22b	for class D	874 0180
12	Chamber taper section Ø 600 chamber module access	680 431	23	Upper section with cover plate Ø 800 tileable, class K3 *	874 0175
13	Seal for chamber module, Ø 600 mm	680 374	24	Upper section with cover plate Ø 800, class A/L 15*	874 0177
14	Clamping ring for upper sections Ø 600 mm	680 276	25	Upper section with cover plate Ø 800, round, class K3*	874 0181
15	Upper section, Ø 600 mm	680 569			

* For spare parts for upper sections, see following pages

Upper sections for engineering chamber system

Upper section with cover plate Ø 800 round, class K3

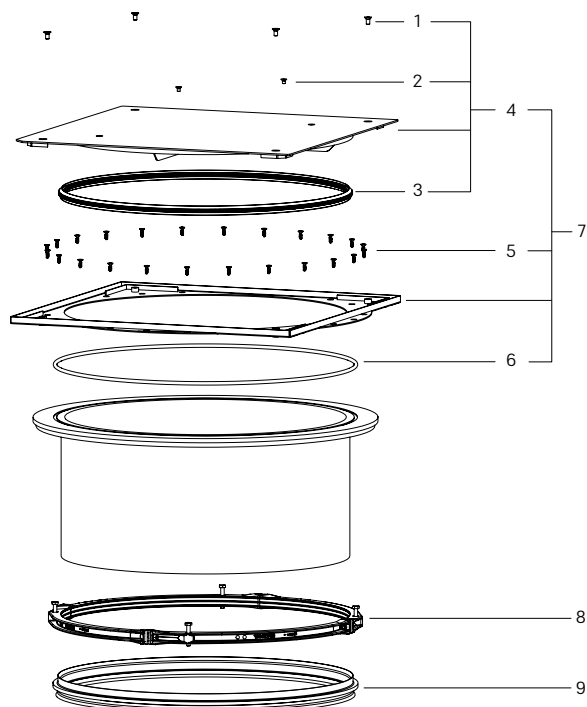
Art. no. 874 01 81



Item	Designation	Art. no.
1	Set of 2 countersunk screws M8 × 12, A4	680 661
2	Set of 8 screws, for upper section, K80 × 22, A2	680 664
3	Cover plate, round, K 3, incl. 2 screws	680 660
4	Seal for upper section, Ø 870 mm	680 655
5	Cover plate, round, K 3, incl. 10 screws, seal	680 659
6	Clamping ring for upper sections, Ø 800 mm	680 568
7	Seal for chamber module Ø 1000, with access opening Ø 800 mm	680 375

Upper section with cover plate Ø 800, class A/L 15

Art. no. 874 01 77

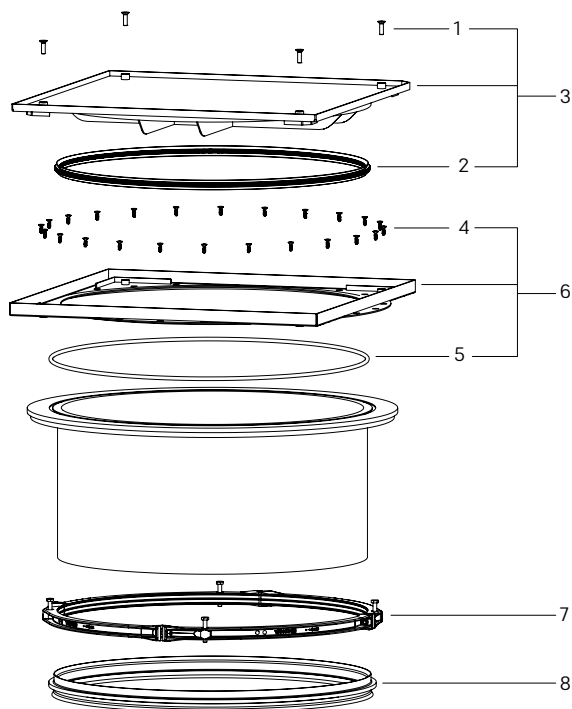


Item	Designation	Art. no.
1	Set of 4 countersunk screws M10 × 20, A4	680 663
2	Set of 2 countersunk screws M8 × 12, A4	680 661
3	Seal for cover plate Ø 840 mm	680 653
4	Cover plate L 15, incl. 6 screws, seal	680 662
5	Set of 24 screws for upper section, K80 × 22, A2	680 654
6	Seal for upper section, Ø 870 mm	680 655
7	Cover plate L 15, incl. 30 screws, seal	680 658
8	Clamping ring for upper sections, Ø 800 mm	680 568
9	Seal for chamber module Ø 1000, with access opening Ø 800 mm	680 375

Upper sections for engineering chamber system

Upper section with cover plate Ø 800 tileable, class K 3

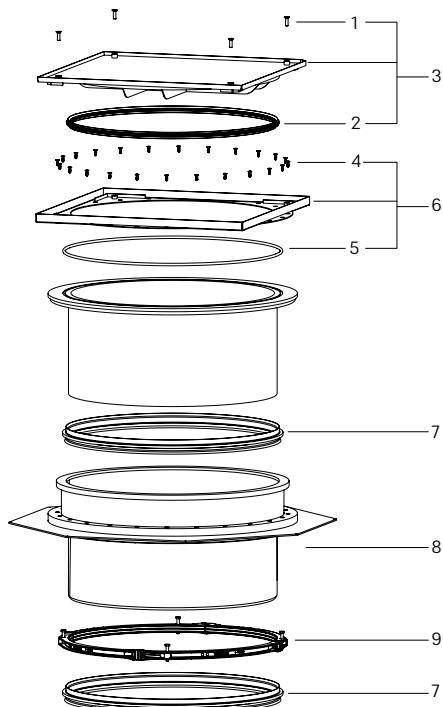
Art. no. 874 0175



Item	Designation	Art. no.
1	Set of 4 countersunk screws M10 × 35, A4	680 593
2	Seal for cover plate Ø 840 mm	680 653
3	Cover plate K 3, incl. 4 screws, seal	680 657
4	Set of 24 screws for upper section, K80 × 22, A2	680 654
5	Seal for upper section, Ø 870 mm	680 655
6	Cover plate frame, K 3, 24 screws, seal	680 656
7	Clamping ring for upper sections, Ø 800 mm	680 568
8	Seal for chamber module Ø 1000, with access opening Ø 800 mm	680 375

Upper section with cover plate Ø 800 tileable with waterproof flange, class K3 *,

Art. no. 874 0176

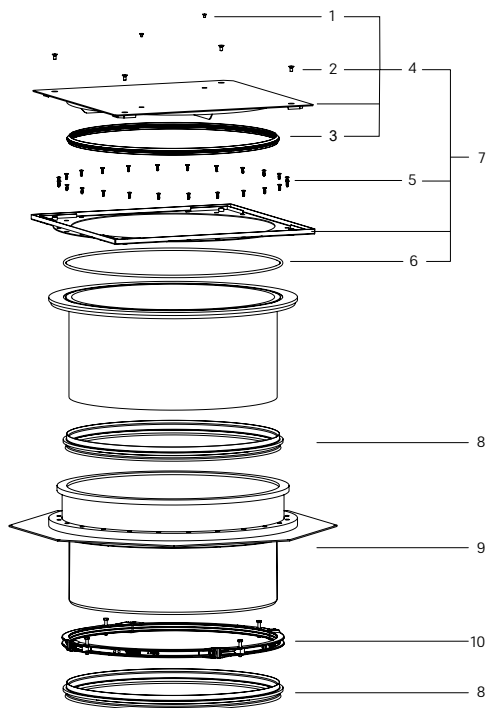


Item	Designation	Art. no.
1	Set of 4 countersunk screws M10 × 35, A4	680 593
2	Seal for cover plate Ø 840 mm	680 653
3	Cover plate K 3, incl. 4 screws, seal	680 657
4	Set of 24 screws for upper section, K80 × 22, A2	680 654
5	Seal for upper section, Ø 870 mm	680 655
6	Cover plate frame, K 3, 24 screws, seal	680 656
7	Seal for chamber module Ø 1000, with access opening Ø 800 mm	680 375
8	Waterproof extension with sealing mat, for chamber module	680 378
9	Clamping ring for upper sections, Ø 800 mm	680 568

Upper sections for engineering chamber system

Upper section with cover plate Ø 800 with waterproof flange, class A/L 15 *

Art. no. 874 01 78



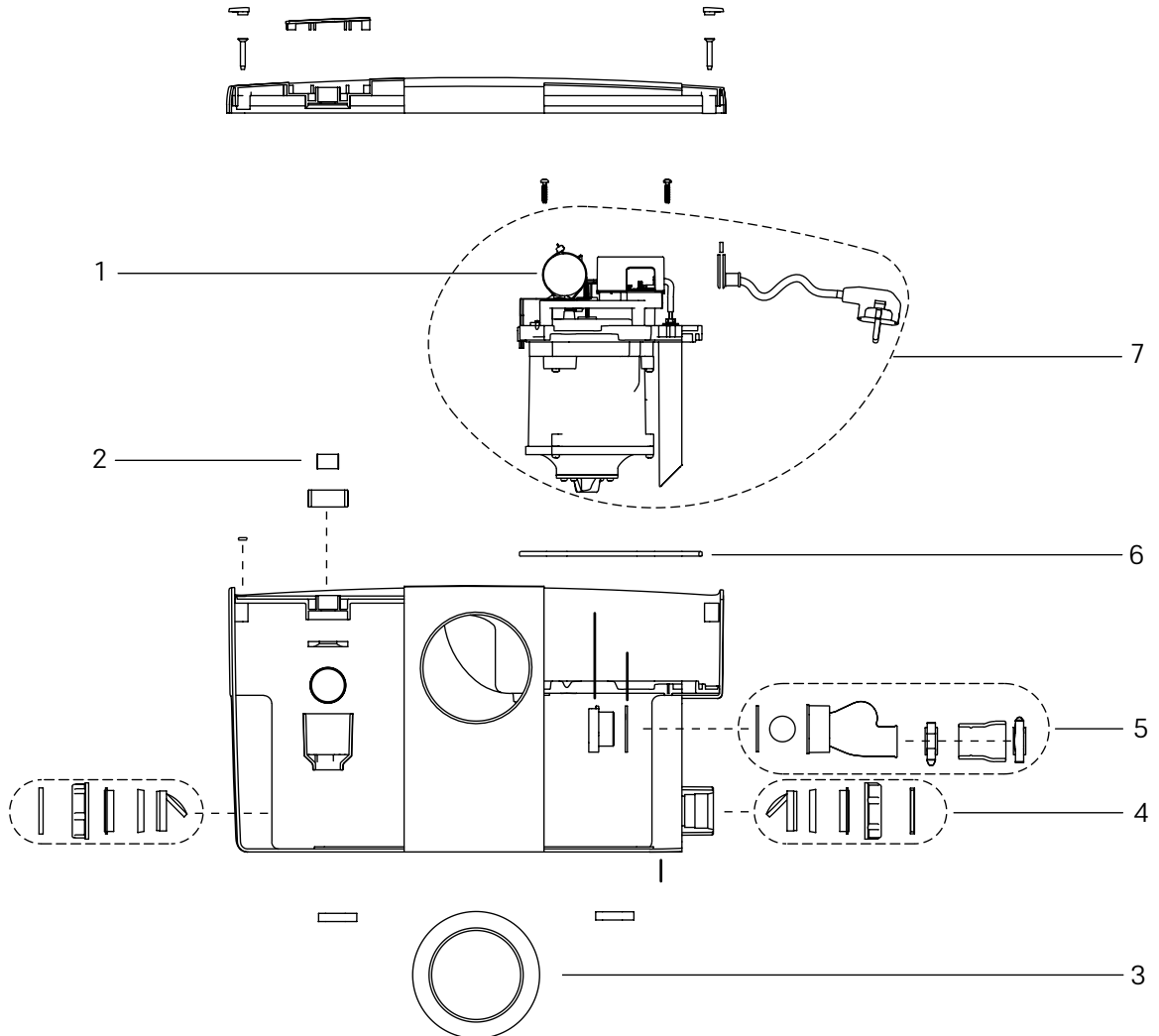
Item	Designation	Art. no.
1	Set of 4 countersunk screws M10 × 20, A4	680 663
2	Set of 2 countersunk screws M8 × 12, A4	680 661
3	Seal for cover plate Ø 840 mm	680 653
4	Cover plate L 15, incl. 6 screws, seal	680 662
5	Set of 24 screws for upper section, K80 × 22, A2	680 654
6	Seal for upper section, Ø 870 mm	680 655
7	Cover plate L 15, incl. 30 screws, seal	680 658
8	Seal for chamber module Ø 1000, with access opening Ø 800 mm	680 375
9	Waterproof extension with sealing mat, for chamber module	680 378
10	Clamping ring for upper sections, Ø 800 mm	680 568

3. Pump technology

3.1 Lifting stations	59	3.2 Pumping stations	87
Lifting station <i>Minilift F</i>	60	Pumping station <i>Aqualift S</i> in the chamber system	88
Lifting station <i>Minilift S</i>	61	Pumping station <i>Aqualift S XL</i> in the chamber system	92
Lifting station <i>Aqualift S</i>	64	Pumping station <i>Aqualift S Basic</i>	94
Lifting station <i>Aqualift S Compact</i>	66	Pumping station <i>Aqualift S Basic Tronic</i>	95
Lifting station <i>Aqualift S Compact Tronic</i>	68	Pumping station <i>Aqualift F Basic</i>	96
Lifting station <i>Aqualift S Tronic Mono/Duo</i>	69	Pumping station <i>Aqualift F Basic Tronic</i>	97
Lifting station <i>Aqualift S 100 Mono</i>	71	Pumping station <i>Aqualift F</i> in the chamber system	98
Lifting station <i>Aqualift S 100 Mono/Duo Tronic</i>	72	Pumping station <i>Aqualift S</i> and <i>F XL</i> in the engineering chamber system	99
Lifting station <i>Aqualift S 200 Duo Tronic</i>	73	Pumping station <i>Aqualift F XL</i> in the engineering system base	100
Lifting station <i>Aqualift F Compact Mono/Duo</i>	71	Pumping station <i>Aqualift S</i> and <i>F XL</i> in the twin-walled reinforced pipe chamber	101
Wastewater station <i>Aqualift F Mono</i> Underground	75	Engineering chamber system with upper sections	102
Wastewater station <i>Aqualift F Mono/Duo Tronic</i> Underground	76	Overview of control units	106
Lifting station <i>Aqualift F Compact Mono/Duo</i>	77		
Lifting station <i>Aqualift F Basic</i>	79		
Lifting station <i>Aqualift F</i>	80		
Lifting station <i>Aqualift F Duo</i>	82		
Lifting station <i>Aqualift F XL</i>	84		

Lifting station *Minilift F*

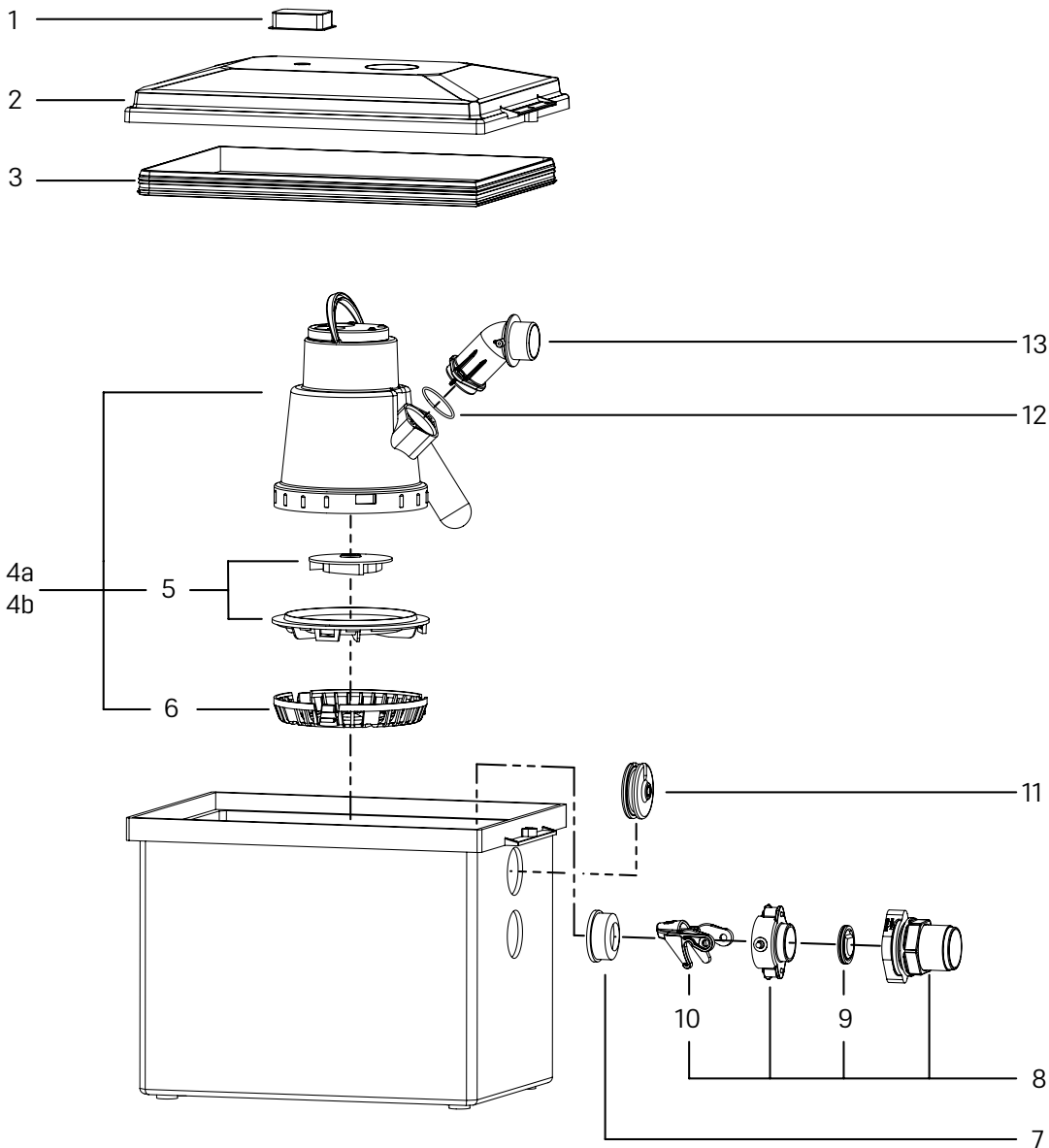
Free-standing installation



Item	Designation	Art. no.	Item	Designation	Art. no.
1	Capacitor for <i>Minilift F</i>	680 547	5	Backflow preventer with pressure pipe connection	680 542
2	Activated carbon filter	680 544	6	Seal for pump	680 545
3	WC inlet seal Ø 110, for <i>Minilift F</i>	680 673	7	Replacement pump, <i>Minilift F</i>	680 546
4	Inlet set Ø 40, with non-return flap	680 543			

Lifting station *Minilift S*

Free-standing installation

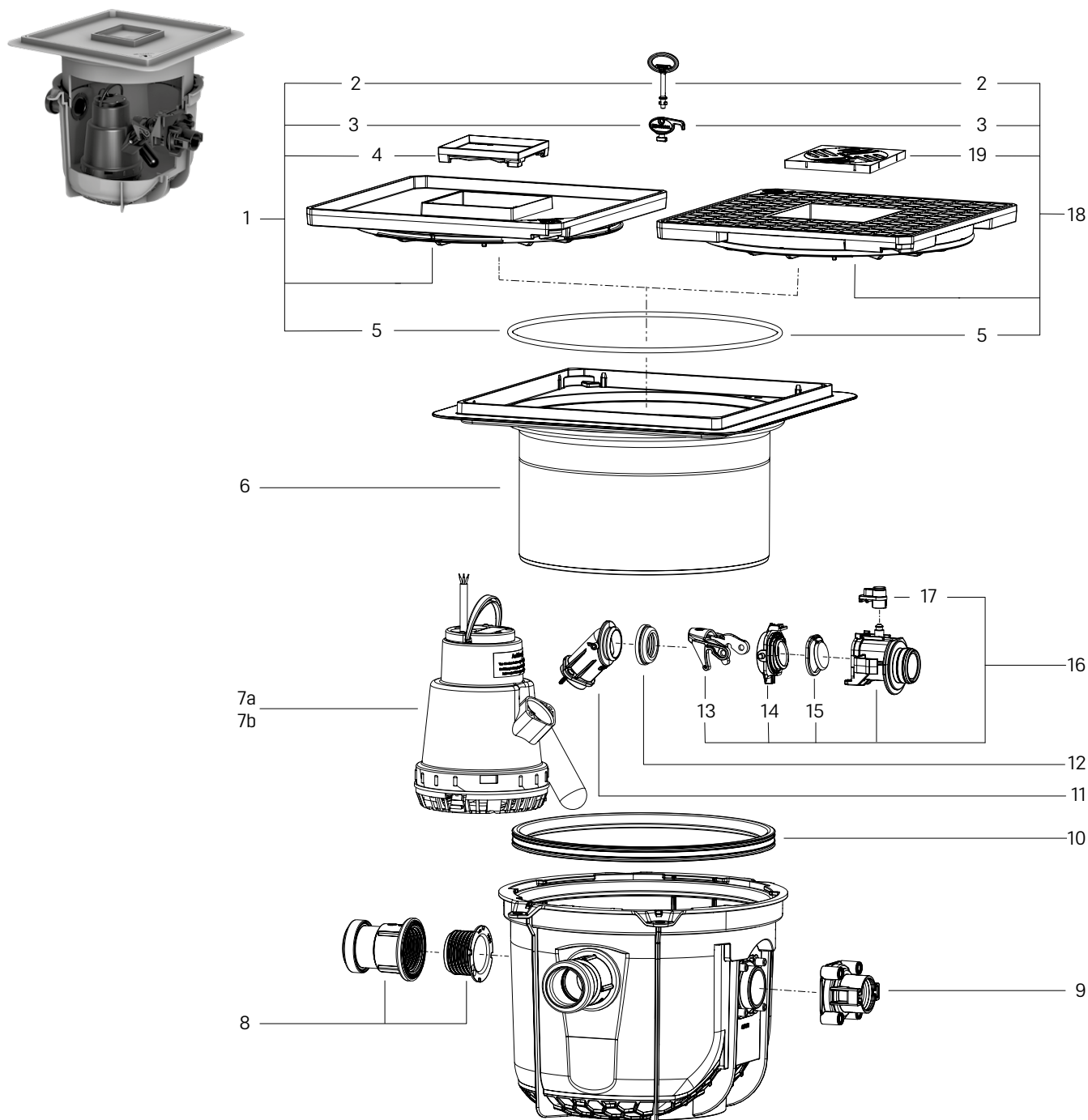


Item	Designation	Art. no.
1	Activated carbon filter with fixing clamp	27 208
2	Cover with polymer screws and knurled nuts	28 036
3	Seal for cover	680 019
4a	Replacement pump KTP 300	28 836
4b	Replacement pump KTP 300 resistant	680 954
5	Impeller KTP 300, with intake cover	28 039
6	Intake cage with push-fit fastener, for KTP 300	680 013

Item	Designation	Art. no.
7	Pump seal Ø 40	680 020
8	Pump locking set, Mono, with one-handed closure	28 031
9	Non-return flap	27 207
10	One-handed closure for backflow preventer	680 018
11	Cable accessories, seal for <i>Minilift</i>	680 021
12	Seal, O-ring for pressure pipe connection	680 014
13	pressure pipe connection for pump, <i>Minilift</i>	680 017

Lifting station *Minilift S*

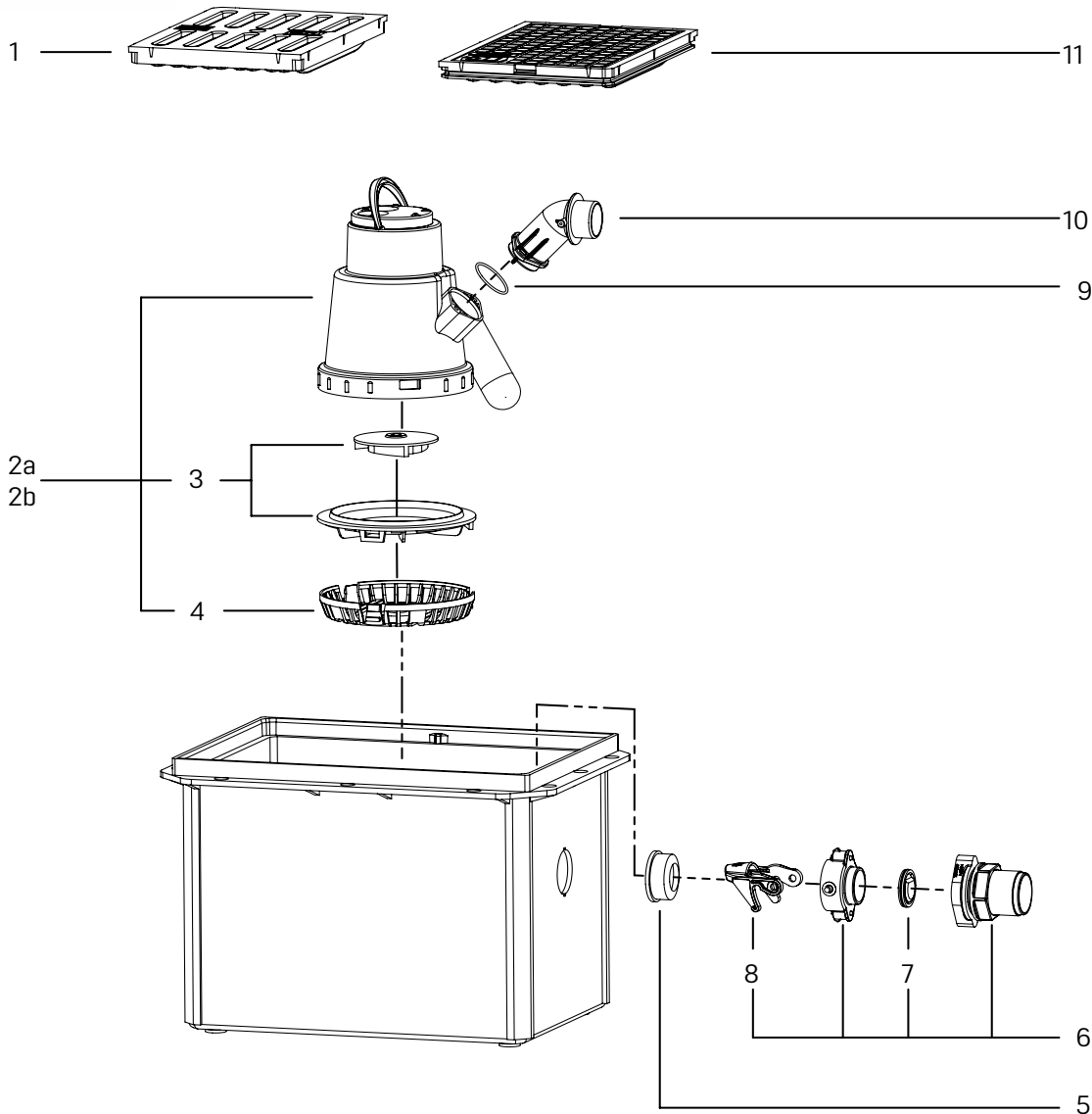
Installation in the floor slab, beginning model year 03/2019



Item	Designation	Art. no.	Item	Designation	Art. no.
1	Cover plate, tileable, with drain, stone grey, with seal	830 054	10	Lip seal System 330 mm	686 115
2	Release key for <i>Lock & Lift</i> cover plates	67 007	11	Pressure pipe connection	680 759
3	Release key for <i>Lock & Lift</i> insert gratings	680 702	12	Seal for pressure pipe connection	680 067
4	Drain cover, tileable, <i>Lock & Lift</i> , ABS	680 224	13	One-handed closure for backflow preventer	680 018
5	Seal for cover plate, System 330 mm	686 114	14	Pump connection	680 760
6	Upper section, d: 300 mm, height up to 170 mm	830 061	15	Seal for pump coupling with flap	680 475
7a	Replacement pump KTP 300	28 836	16	Flap housing, Mono, with pump connection	680 761
7b	Replacement pump KTP 300 resistant	680 955	17	Turn fastener for pump connection lock	680 762
8	Inlet connection made of polymer Ø 50	39 005	18	Cover plate, black, with slotted grating and seal	830 053
9	Pressure pipe connection with screws	680 758	19	Slotted insert grating, 138 × 138 mm, polymer	60 101S

Lifting station *Minilift S*

Installation in the floor slab, up to model year 02/2019

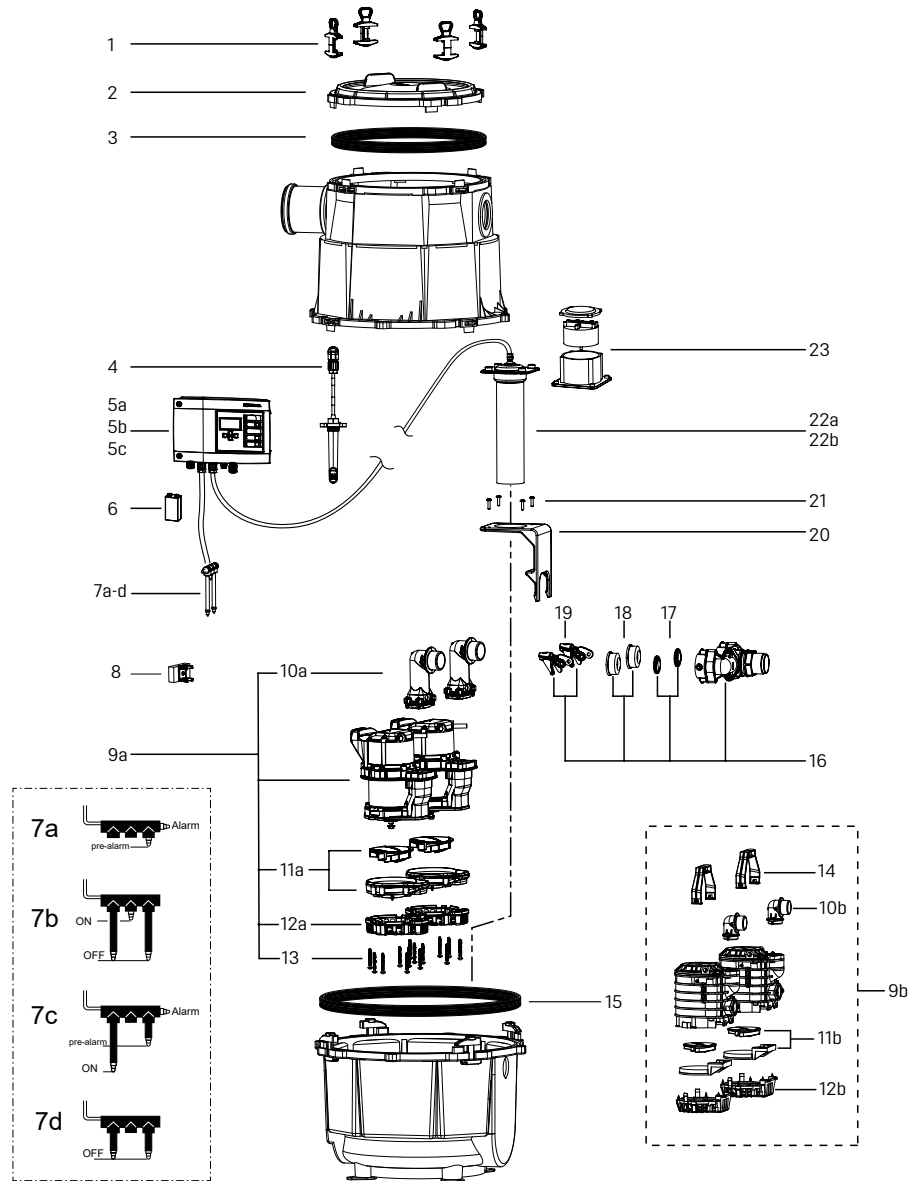


Item	Designation	Art. no.
1	Slotted grating, white, 276 × 191 mm, polymer,	30 001W
2a	Replacement pump KTP 300	28 836
2b	Replacement pump KTP 300 resistant	680 954
3	Impeller KTP 300, with intake cover	28 039
4	Intake cage with push-fit fastener, for KTP 300	680 013
5	Pump seal Ø 40	680 020

Item	Designation	Art. no.
6	Pump locking set, Mono, with one-handed closure	28 031
7	Non-return flap	27 207
8	One-handed closure for backflow preventer	680 018
9	Seal, O-ring for pressure pipe connection	680 014
10	pressure pipe connection for pump, <i>Minilift</i>	680 017
11	Cover plate, white, 276 × 191 mm	30 003W

Lifting station *Aqualift S*

Installation above ground



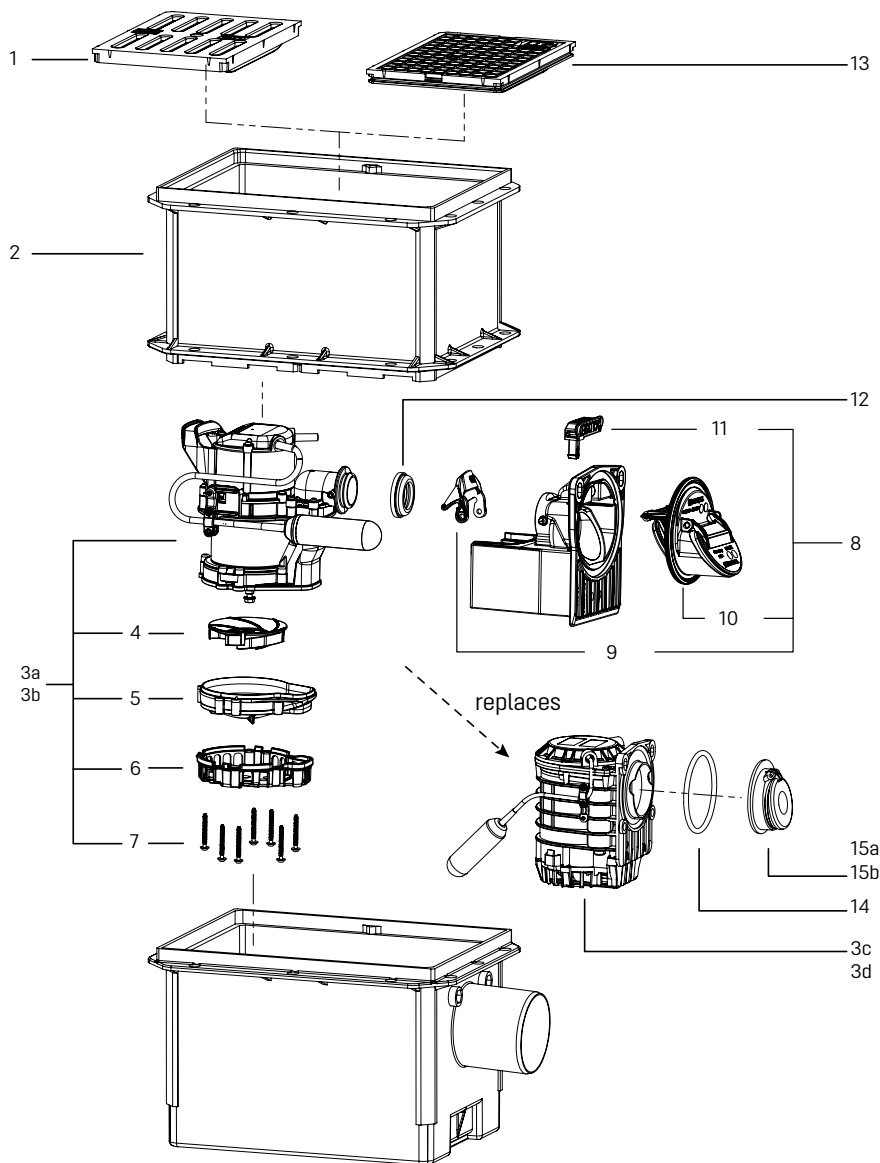
Item	Designation	Art. no.	Item	Designation	Art. no.
1	Bow nut with coach bolt, screw connection (1 ea.)	28 011	10b	Pressure pipe connection, 90 degree bend for KTP 500	680 033
2	Cover Ø 400, free-standing set-up	680 031	11a	Multi-vane impeller for GTF 500	680 767
3	Seal Ø 368 mm	850 112	11b	Impeller KTP 500, with intake cover	28 038
4	Optical probe with 3 adapters, 5 m cable	80 888	12a	Intake cage for GTF 500	680 770
5	Control unit		12b	Intake cage with push-fit fastener, for KTP 500	680 004
5a	up to model year 03/2012	*	13	Screw set for intake cage GTF 500	680 769
5b	beginning model year 04/2012 for Comfort <i>Aqualift Mono</i> , 230 V	28 731	14	Pump handle for submersible pump KTP 500	680 007
5c	beginning model year 04/2012 for Comfort <i>Aqualift Duo</i> , 230 V	28 746	15	Seal Ø 458 mm	850 113
6	Battery, 9 V block	680 034	16	Duo pump locking set, with one-handed closure	28 032
7	Conductivity probe		17	Non-return flap	27 207
7a	Double, Duo, horizontal	680 674	18	Pump seal Ø 40	680 020
7b	Triple switching probe, Duo, vertical	680 012	19	One-handed closure for backflow preventer	680 018
7c	Triple, Duo, horizontal	680 675	20	Bracket for pressure sensor	680 032
7d	Double alarm probe, Duo, vertical	680 011	21	Screw set for pressure switch (4 ea.)	680 006
8	Probe clamp set (nut, probe clamp, screw)	28 030	22	Immersion pipe	
9a	Replacement pump GTF 500	680 877	22a	with pressure monitor, Duo, 10 m cable, up to model year 12/2009	680 049
9b	Replacement pump KTP 500	**	22b	for <i>Aqualift F</i> and <i>S Duo</i> , 5 m cable, beginning model year 01/2010	680 056
10a	Pressure pipe connection for GTF 500	680 897	23	Pressure monitor, Duo, with seal, up to model year 12/2009	28 046

*Older control units are being replaced. See overview on page 107

** Will be replaced by new pump GTF 500, art. no. 680 877

Lifting station *Aqualift S*

Installation in the floor slab, up to model year 12/1995



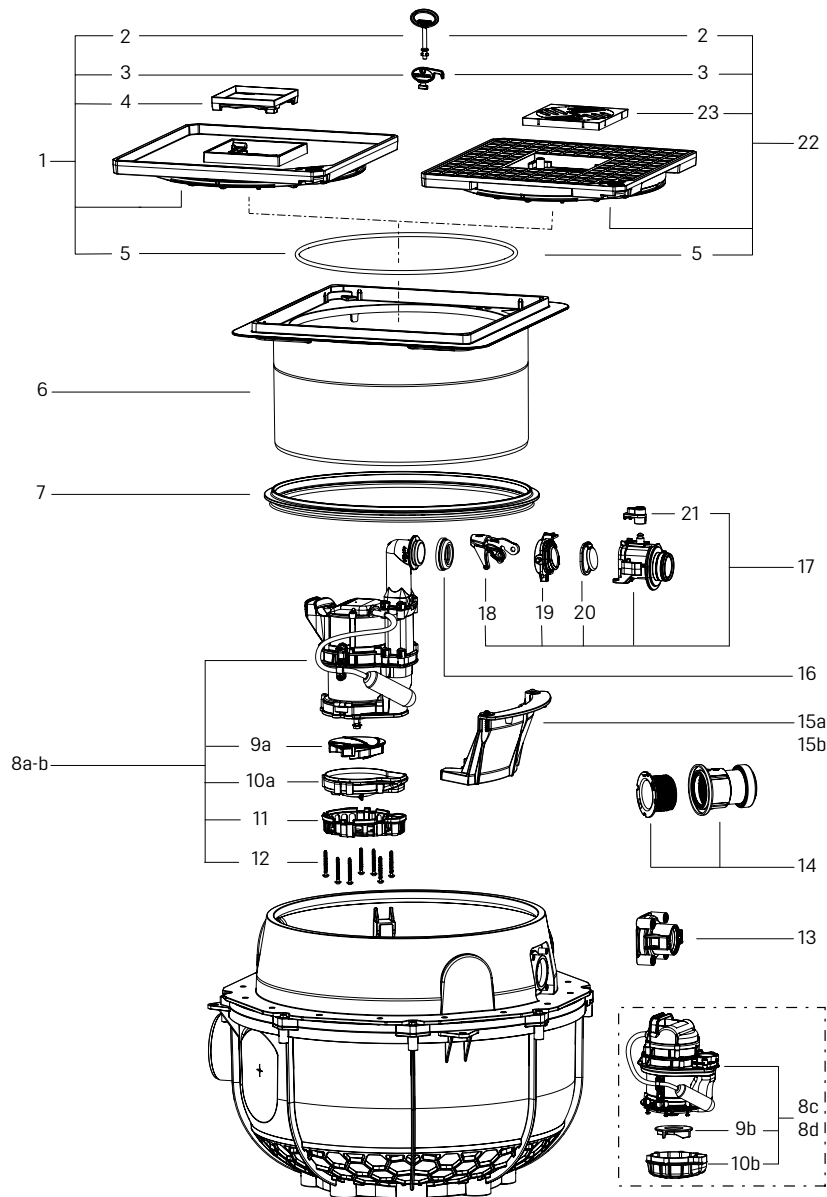
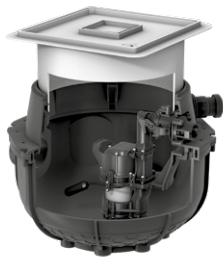
Item	Designation	Art. no.	Item	Designation	Art. no.
1	Slotted grating 276 × 191 mm, made of polymer, black	30 001S	7	Screw set for intake cage GTF 500	680 769
2	Upper section, size 3, H: 220 mm	32 500	8	Flap housing with 2 backwater flaps and emergency closure	680 829
3a	Replacement pump GTF 500, with float switch	680 828	9	One-handed closure for backflow preventer	680 018
3b	Replacement pump GTF 500 for <i>Aqualift S</i> in box	680 879	10	Slide-in flap housing with two backwater flaps	680 884
3c	Replacement pump, <i>Aqualift S</i> up to model year 12/1995	*	11	Emergency closure lever for flap housing, incl. seals	680 883
3d	Replacement pump, <i>Aqualift S</i> Tronic up to model year 12/1995 also required: control unit, Comfort <i>Aqualift Mono</i> , 230 V	** 28 731	12	Seal for pressure pipe connection	680 067
4	Multi-vane impeller for GTF 500	680 767	13	Cover plate, black (276 × 191 mm)	30 004S
5	Spiral housing for GTF 500	680 768	14	Rolling ring seal Ø 110	680 001
6	Intake cage for GTF 500	680 770	15a	Non-return flap <i>Aqualift S</i> up to model year 12/1995	28 005
			15b	Non-return flap with 2 flaps, up to model year 12/1995	28 006

* In case of pump replacement, the successor pump (art. no. 680 828) and successor adapter (art. no. 680 829) are required.

** In case of pump replacement, the successor pump (art. no. 680 879) and successor adapter (art. no. 680 829) are required.

Lifting station *Aqualift S Compact Mono*

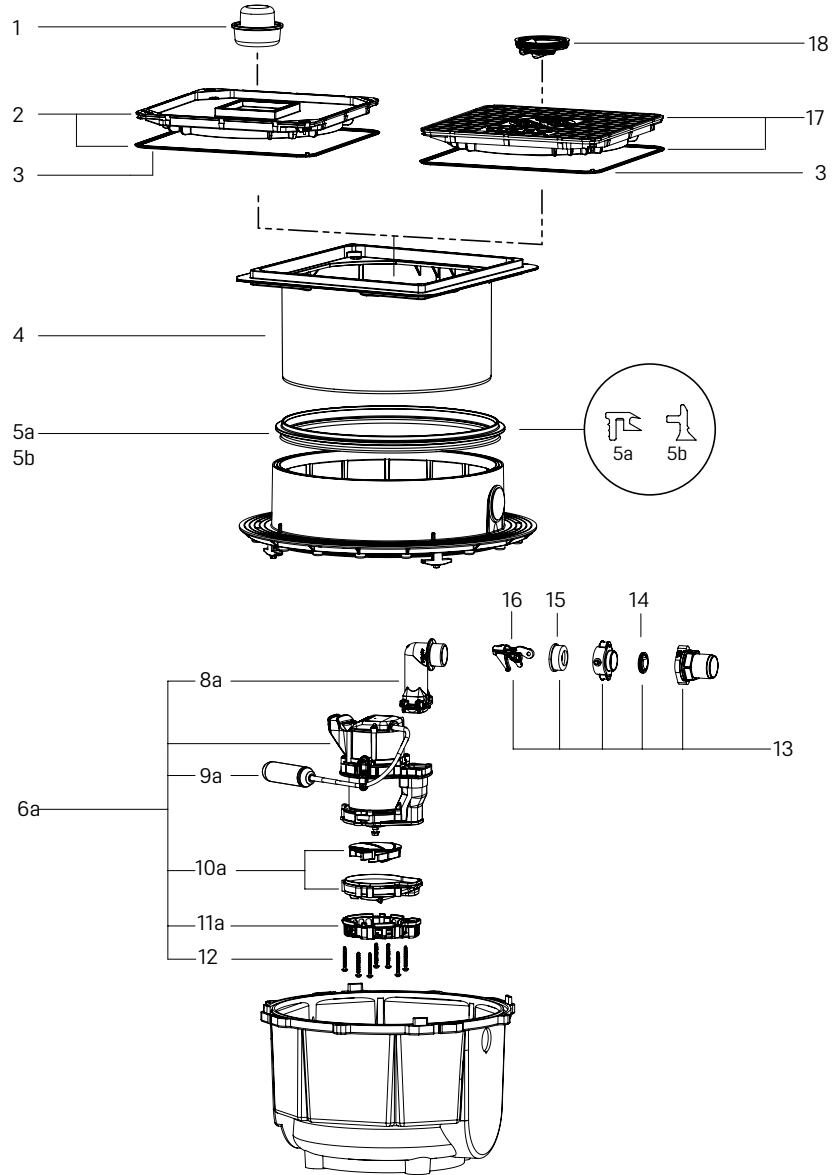
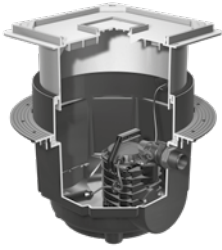
Installation in the floor slab, beginning model year 05/2019



Item	Designation	Art. no.	Item	Designation	Art. no.
1	Cover plate, tileable, with drain, stone grey, with seal	830 054	10b	for GTF 1200, ball passage 30 mm	680 363
2	Locking key for <i>Lock & Lift</i> with cover plates	67 007	11	Intake cage for GTF 500 and GTF 500 resistant	680 770
3	Release key for <i>Lock & Lift</i> insert gratings	680 702	12	Screw set for intake cage GTF 500	680 769
4	Drain cover, tileable, <i>Lock & Lift</i> , ABS	680 224	13	Pressure pipe connection with screws	680 758
5	Seal for cover plate, System 330 mm	686 114	14	Inlet connection made of polymer Ø 50	39 005
6	Upper section, System 400, stone grey, locked, height up to 170 mm	830 065	15	Pump hanger	
7	Lip seal System 330 mm	686 115	15a	for GTF 500 and GTF 500 resistant pumps	680 771
8	Replacement pump		15b	for GTF 1200 pump	680 772
8a	GTF 500, with float switch	680 764	16	Seal for pressure pipe connection	680 067
8b	GTF 500 resistant, with float switch	680 765	17	Flap housing, Mono, with pump connection	680 761
8c	GTF 1200, with float switch	680 766	18	One-handed closure for backflow preventer	680 018
8d	GTF 1200 resistant, with float switch	680 953	19	Pump connection	680 760
9	Impeller		20	Seal for pump coupling with flap	680 475
9a	Multi-vane impeller for GTF 500 and GTF 500 resistant	680 767	21	Turn fastener for pump connection lock	680 762
9b	for GTF 1200, ball passage 30 mm, without spiral housing	680 366	22	Cover plate, black, with slotted grating and seal	830 053
10	Spiral housing		23	Slotted insert grating, 138 × 138 mm, polymer	60 101S
10a	for GTF 500 and GTF 500 resistant	680 768			

Lifting station *Aqualift S*

Installation in the floor slab, up to model year 04/2019



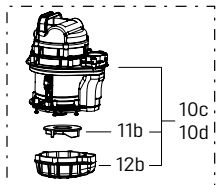
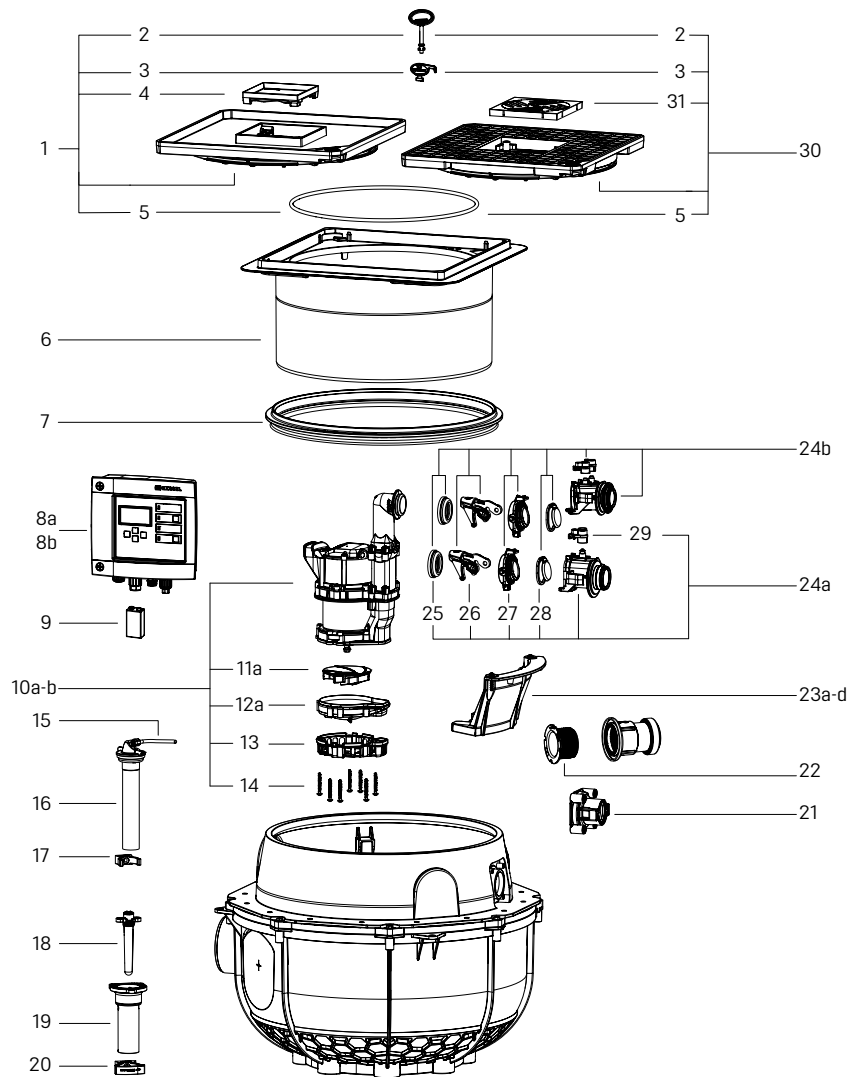
Item	Designation	Art. no.
1	Odour trap, sealing water height 50 mm	47 200
2	Cover plate, stone grey, tileable with drain and seal up to model year 12/2010	83 055
3	Seal for cover plate 384 × 384 mm	680 025
4	Upper section, vertically adjustable up to 180 mm	83 061
5	Profiled lip seal for upper section	
5a	up to model year 06/2014	680 026
5b	beginning model year 07/2014	680 150
6a	Replacement pump GTF 500 with float switch	680 878
6b	Replacement pump KTP 500, beginning model year 01/1996	*
7	Pump handle for submersible pump KTP 500	680 007
8a	Pressure pipe connection for GTF 500	680 897
8b	Pressure pipe connection, 90 degree bend	680 033

Item	Designation	Art. no.
9a	Float switch for GTF 500	680 788
9b	Float switch for KTP 500	28 012
10a	Multi-vane impeller for GTF 500	680 767
10b	Impeller KTP 500, with intake cover	28 038
11a	Intake cage for GTF 500	680 770
11b	Intake cage with push-fit fastener, for KTP 500	680 004
12	Screw set for intake cage GTF 500	680 769
13	Pump locking set, Mono, with one-handed closure	28 031
14	Non-return flap	27 207
15	Pump seal Ø 40	680 020
16	One-handed closure for backflow preventer	680 018
17	Cover plate, black with integrated slotted grating and seal	83 053
18	Odour trap, <i>Multistop</i> with integrated seal	43 500

* Will be replaced by new pump GTF 500, art. no. 680 878.

Lifting station *Aqualift S Compact Mono/Duo Tronic*

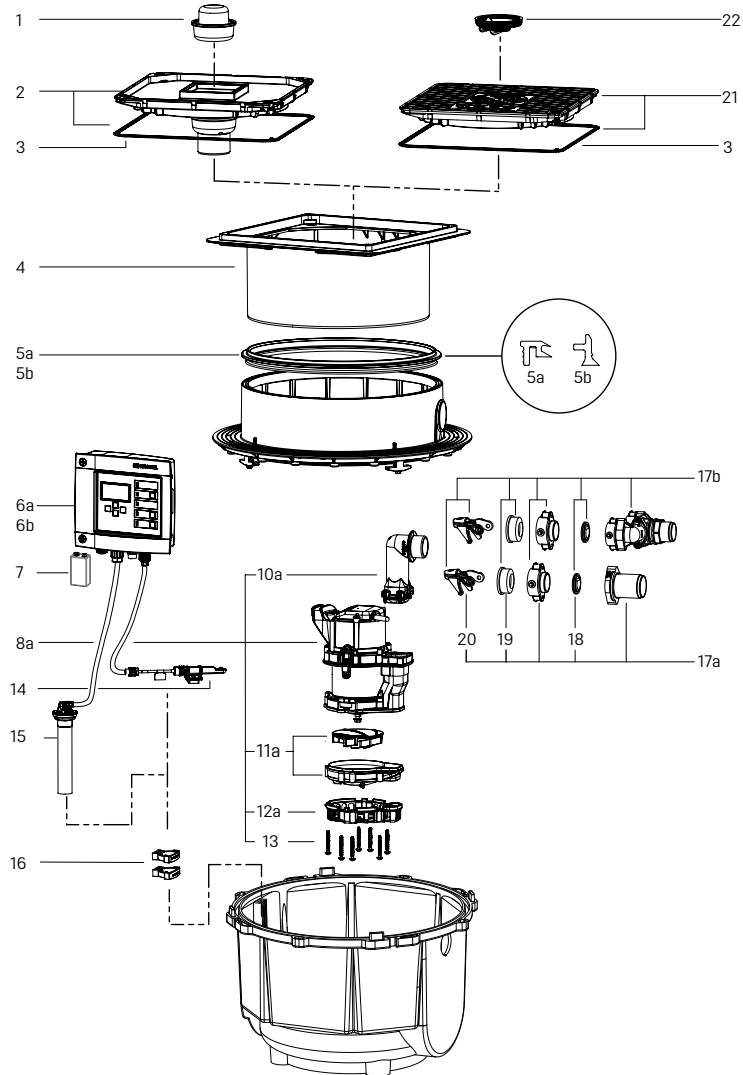
Installation in the floor slab, beginning model year 05/2019



Item	Designation	Art. no.	Item	Designation	Art. no.
1	Cover plate, tileable, with drain, stone grey, with seal	830 054	16	Pressure sensor with 5 m hose	680 776
2	Locking key for <i>Lock & Lift</i> with cover plates	67 007	17	Fixing for pressure sensor	680 777
3	Release key for <i>Lock & Lift</i> insert gratings	680 702	18	Optical probe with 3 adapters, 5 m cable	80 888
4	Drain cover, tileable, <i>Lock & Lift</i> , ABS	680 224	19	Splash protection set for optical probe	28 706
5	Seal for cover plate, System 330 mm	686 114	20	Fixing for probe	680 778
6	Upper section, System 400, stone grey, locked, height up to 170 mm	830 065	21	Pressure pipe connection with screws	680 758
7	Profiled lip seal for upper section	680 150	22	Inlet connection made of polymer Ø 50	39 005
8a	Control unit, Comfort Aqualift Mono, 230 V	28 731	23a	Pump hanger for pump GTF 500 and GTF 500 resistant	680 771
8b	Control unit, Comfort Aqualift Duo, 230 V	28 746	23b	Pump hanger for pump GTF 1200	680 772
9	Battery, 9 V block	680 634	23c	Pump hanger for GTF 500 Duo pump	680 779
10a	Replacement pump GTF 500	680 773	23d	Pump hanger for GTF 1200 Duo pump	680 780
10b	Replacement pump GTF 500 resistant	680 774	24a	Flap housing, Mono, with pump connection	680 761
10c	Replacement pump GTF 1200	680 775	24b	Flap housing, Duo, with pump connection	680 781
10d	Replacement pump GTF 1200 resistant	680 952	25	Seal for pressure pipe connection	680 067
11a	Multi-vane impeller for GTF 500 and GTF 500 resistant	680 767	26	One-handed closure for backflow preventer	680 018
11b	Impeller for GTF 1200, ball passage 30 mm	680 366	27	Pump connection	680 760
12a	Spiral housing for GTF 500 and for GTF 500 resistant	680 768	28	Seal for pump coupling with flap	680 475
12b	Spiral housing for GTF 1200	680 363	29	Turn fastener for pump connection lock	680 762
13	Intake cage for GTF 500 and GTF 500 resistant	680 770	30	Cover plate, black, with slotted grating and seal	830 053
14	Screw set for intake cage GTF 500	680 769	31	Slotted insert grating, 138 × 138 mm, polymer	60 101S
15	Pressure hose, 6 × 4 mm, 100 natural (sold by the metre)	680 071			

Lifting station *Aqualift S Tronic Mono/Duo*

Installation in the floor slab, *Mono* from 02/2013 up to 04/2019 and *Duo* from 01/2012 up to 04/2019



Item	Designation	Art. no.
1	Odour trap, sealing water height 50 mm	47 200
2	Cover plate, stone grey, tileable with drain and seal	83 055
3	Seal for cover plate 384 × 384 mm	680 025
4	Upper section, vertically adjustable up to 180 mm	83 061
5	Profiled lip seal for upper section	
5a	up to model year 06/2014	680 026
5b	beginning model year 07/2014	680 150
6	Control unit*	
6a	Comfort Aqualift Mono, 230 V	28 731
6b	Comfort Aqualift Duo, 230 V	28 746
7	Battery, 9 V block	680 034
8a	Replacement pump GTF 500	680 877
8b	Replacement pump KTP 500	**
9	Pump handle for submersible pump KTP 500	680 007
10a	Pressure pipe connection	680 897
10b	Pressure pipe connection, 90 degree bend	680 033

Item	Designation	Art. no.
11a	Multi-vane impeller for GTF 500	680 767
11b	Impeller for KTP 500, with intake cover	28 038
12a	Intake cage for GTF 500	680 770
12b	Intake cage with push-fit fastener, for KTP 500	680 004
13	Screw set for intake cage GTF 500	680 769
14	Optical probe with 3 adapters, 5 m cable	80 888
15	Pressure sensor <i>Aqualift S</i> , 5 m hose	680 069
16	Fixing for pressure sensor	680 424
17	Pump locking set	
17a	Mono, with one-handed closure (single pumping station)	28 031
17b	Duo, with one-handed closure (twin pumping station)	28 032
18	Non-return flap	27 207
19	Pump seal Ø 40	680 020
20	One-handed closure for backflow preventer	680 018
21	Cover plate, black with integrated slotted grating and seal	83 053
22	Odour trap, <i>Multistop</i> with integrated seal	43 500

*Older control units are being replaced. See overview on page 107

** Will be replaced by new pump GTF 500, art. no. 680 877

Lifting station *Aqualift S Tronic Mono/Duo*

Installation in the floor slab, *Mono* up to model year 01/2013 and *Duo* up to model year 12/2011

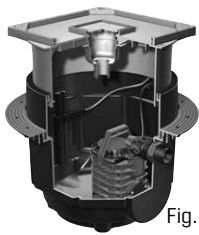


Fig. shows status up to model year 12/2010

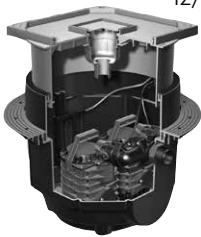
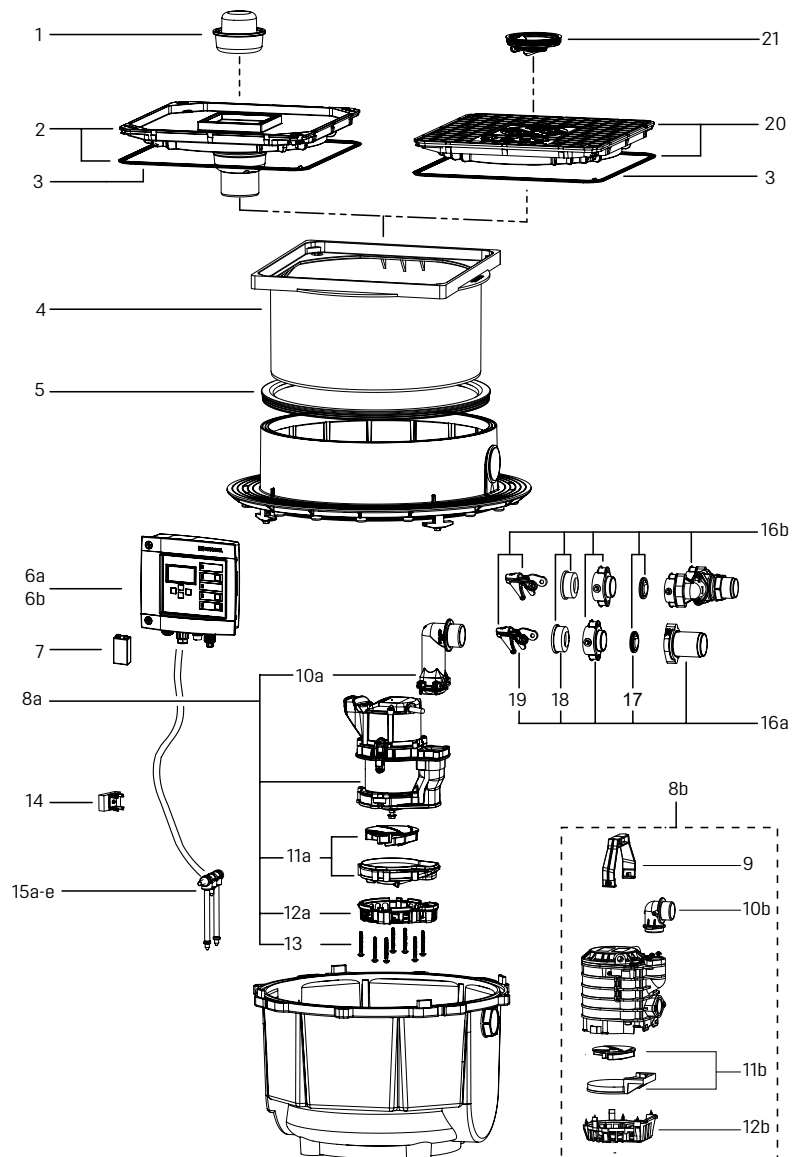
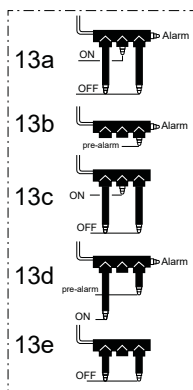


Fig. shows status up to model year 12/2010



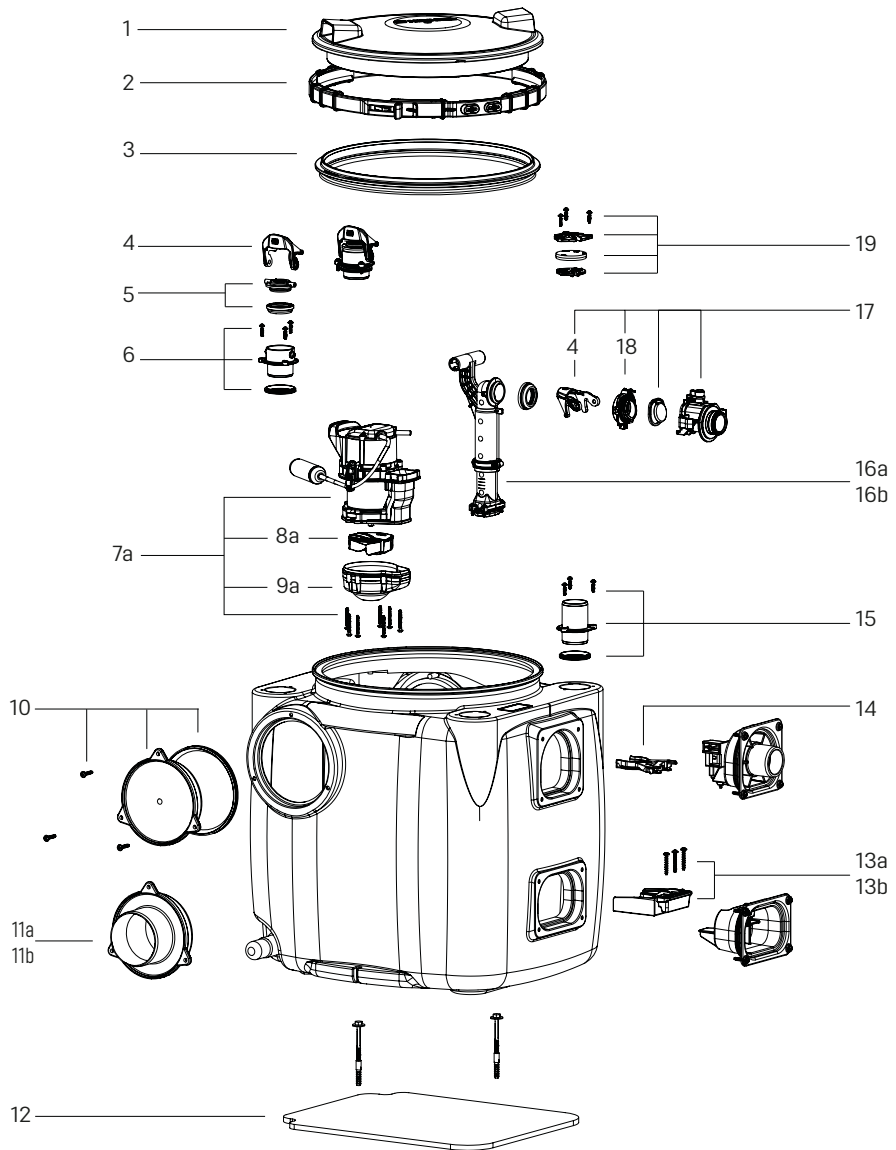
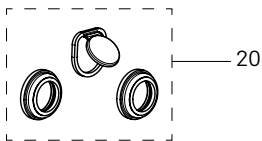
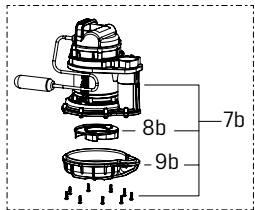
Item	Designation	Art. no.	Item	Designation	Art. no.
1	Odour trap, sealing water height 50 mm	47 200	12a	Intake cage for GTF 500	680 770
2	Cover plate, stone grey, tileable with drain and seal up to model year 12/2010	83 055	12b	Intake cage with push-fit fastener, for KTP 500	680 004
3	Seal for cover plate 384 × 384 mm	680 025	13	Screw set for intake cage GTF 500	680 769
4	Upper section, vertically adjustable up to 180 mm	83 061	14	Probe clamp set (nut, probe clamp, screw)	28 030
5	Profiled lip seal for upper section	680 026	15	Conductivity probe	
6	Control unit	*	15a	Quadruple probe, Mono	680 010
6a	Comfort <i>Aqualift Mono</i> , 230 V	28 731	15b	Double, Duo, horizontal	680 674
6b	Comfort <i>Aqualift Duo</i> , 230 V	28 746	15c	Triple switching probe, Duo, vertical	680 012
7	Battery, 9 V block	680 034	15d	Triple, Duo, horizontal	680 675
8a	Replacement pump GTF 500	680 877	15e	Double alarm probe, Duo, vertical	680 011
8b	Replacement pump KTP 500, beginning model year 01/1996	**	16	Pump locking set	
9	Pump handle for submersible pump KTP 500	680 007	16a	Mono, with one-handed closure (single pumping station)	28 031
10a	Pressure pipe connection	680 897	16b	Duo, with one-handed closure (twin pumping station)	28 032
10b	Pressure pipe connection, 90 degree bend	680 033	17	Non-return flap	27 207
11a	Multi-vane impeller for GTF 500	680 767	18	Pump seal Ø 40	680 020
11b	Impeller KTP 500, with intake cover	28 038	19	One-handed closure for backflow preventer	680 018
			20	Cover plate, black with integrated slotted grating and seal	83 053
			21	Odour trap, <i>Multistap</i> with integrated seal	43 500

*Older control units are being replaced. See overview on page 107

** Will be replaced by new pump GTF 500, art. no. 680 877

Lifting station *Aqualift S 100 Mono*

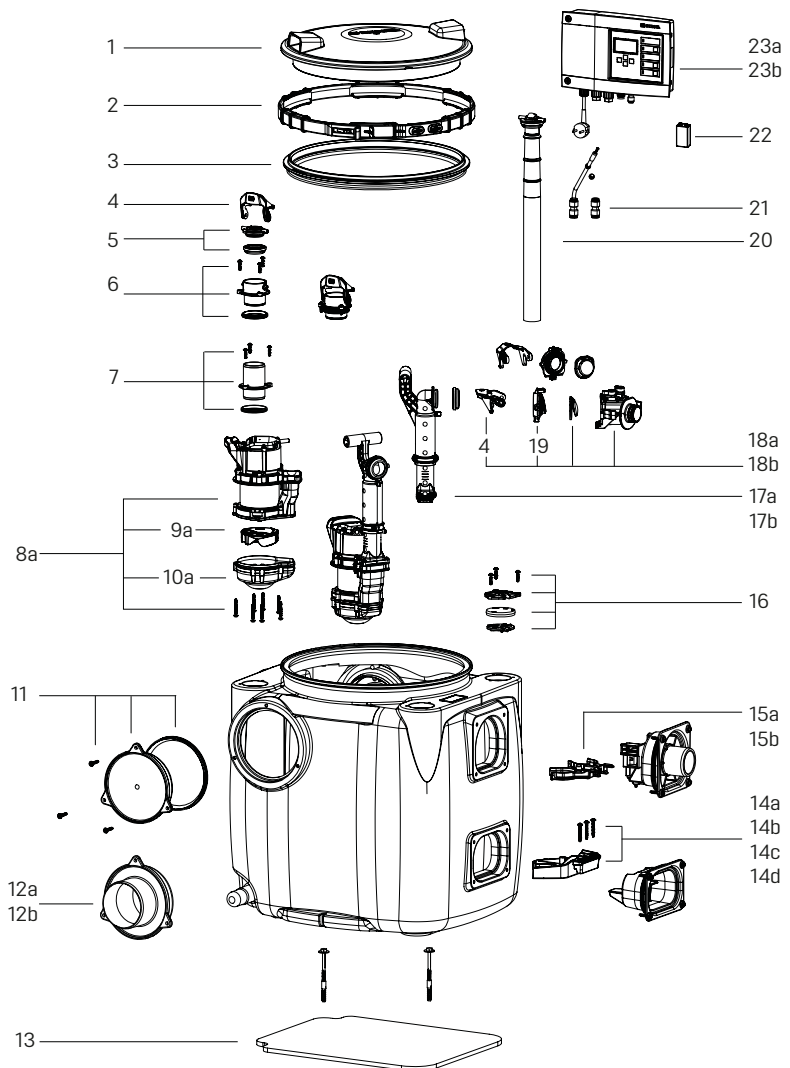
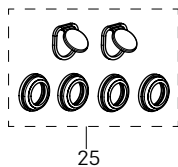
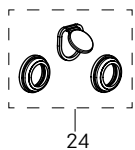
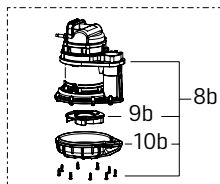
Free-standing installation



Item	Designation	Art. no.	Item	Designation	Art. no.
1	Cover	680 326	11	Inlet connection	
2	Clamp fastener for cover	680 975	11a	Ø 110 for <i>Aqualift S 100/200</i>	680 986
3	Seal	680 150	11b	Ø 150 for <i>Aqualift S 100/200</i>	680 987
4	One-handed closure for backflow preventer	680 018	12	Sound absorbing mat for <i>Aqualift S 100</i>	680 990
5	Cover with seal	680 076	13	Pump hanger with screws	
6	Immersion pipe connector for <i>Aqualift S 100/200</i>	680 985	13a	for GTF 600 Mono	680 967
7	Replacement pump with 5 m cable		13b	for GTF 1250 Mono	680 968
7a	GTF 600 with float switch for <i>Aqualift S 100/200</i>	680 976	14	Holder pressure pipe for <i>Aqualift S</i>	680 969
7b	GTF 1250 with float switch for <i>Aqualift S 100/200</i>	680 978	15	Ventilation connector Ø 50 for <i>Aqualift S 100</i> incl. screws and seal	680 982
8	Impeller		16a	Pressure pipe Ø 32 for <i>Aqualift S 100</i> GTF 600	680 983
8a	GTF 600 for <i>Aqualift S 100/200</i>	680 887	16b	Pressure pipe Ø 32 for <i>Aqualift S 100</i> GTF 1250	680 984
8b	GTF 1250 for <i>Aqualift S 100/200</i>	680 804	17	Flap housing Mono, with pressure pipe connection	680 761
9	Spiral housing		18	Pressure pipe connection	680 760
9a	GTF 600 for <i>Aqualift S 100/200</i>	680 888	19	Cable entry for <i>Aqualift S 100/200</i>	680 981
9b	GTF 1250 for <i>Aqualift S 100/200</i>	680 998	20	Seal set for <i>Aqualift S</i> Mono	680 490
10	Blind cover for <i>Aqualift S 100/200</i> with screws and seal	680 980			

Lifting station *Aqualift S 100 Tronic Mono/Duo*

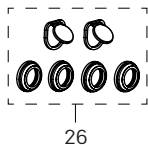
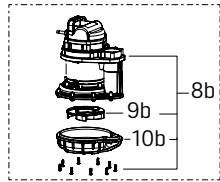
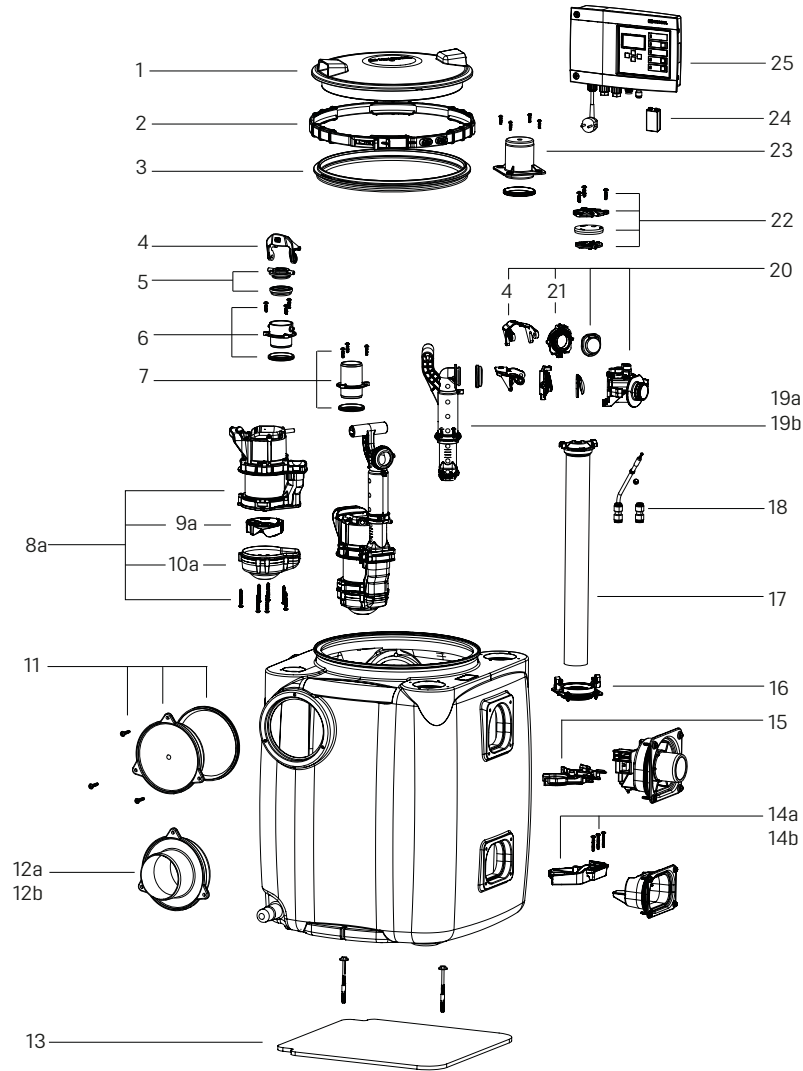
Free-standing installation



Item	Designation	Art. no.	Item	Designation	Art. no.
1	Cover	680 326	14	Pump hanger with screws for <i>Aqualift S</i>	
2	Clamp fastener for cover	680 975	14a	for GTF 600 Mono	680 967
3	Seal	680 150	14b	for GTF 1250 Mono	680 968
4	One-handed closure for backflow preventer	680 018	14c	for GTF 600 Duo	680 973
5	Cover with seal	680 076	14d	for GTF 1250 Duo	680 974
6	Immersion pipe connector for <i>Aqualift S 100/200</i>	680 985	15a	Bracket for pressure pipe for Mono	680 969
7	Ventilation connector spigot Ø 50 for <i>Aqualift S 100</i> incl. screws and seal	680 982	15b	Bracket for pressure pipe for Duo	680 972
8	Replacement pump		16	Cable entry for <i>Aqualift S 100/200</i>	680 981
8a	GTF 600 without float switch for <i>Aqualift S 100/200</i>	680 977	17	Pressure pipe Ø 32	
8b	GTF 1250 without float switch for <i>Aqualift S 100/200</i>	680 979	17a	for <i>Aqualift S 100</i> GTF 600	680 983
9	Impeller		17b	for <i>Aqualift S 100</i> GTF 1250	680 984
9a	GTF 600 for <i>Aqualift S 100/200</i>	680 887	18a	Flap housing Mono, with pressure pipe connection	680 761
9b	GTF 1250 for <i>Aqualift S 100/200</i>	680 804	18b	Flap housing Duo, with pressure pipe connection	680 781
10	Spiral housing		19	Pressure pipe connection	680 760
10a	GTF 600 for <i>Aqualift S 100/200</i>	680 888	20	Immersion pipe for <i>Aqualift S 100</i>	680 988
10b	GTF 1250 for <i>Aqualift S 100/200</i>	680 998	21	Quick fitting for the pressure hose, with 5 m hose	680 996
11	Blind cover for <i>Aqualift S 100/200</i> with screws and seal	680 980	22	Battery, 9 V block	680 034
12	Inlet connection		23a	Control unit Mono	28 731
12a	Ø 110 for <i>Aqualift S 100/200</i>	680 986	23b	Control unit Duo	28 746
12b	Ø 150 for <i>Aqualift S 100/200</i>	680 987	24	Seal set for <i>Aqualift S</i> Mono	680 490
13	Sound absorbing mat for <i>Aqualift S 100</i>	680 990	25	Seal set for <i>Aqualift S</i> Duo	680 491

Lifting station *Aqualift S 200 Tronic Duo*

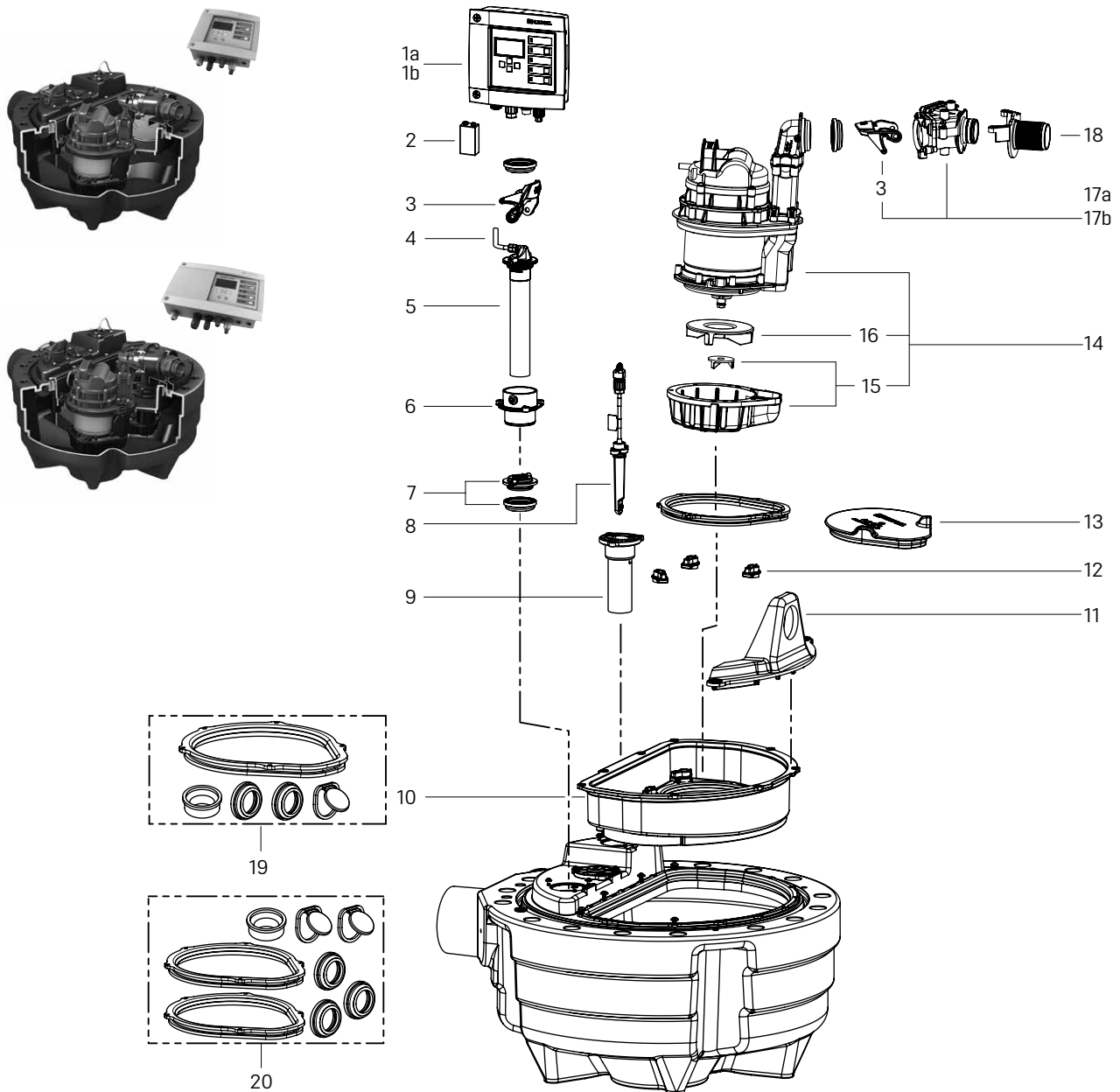
Free-standing installation



Item	Designation	Art. no.	Item	Designation	Art. no.
1	Cover	680 326	13	Sound absorbing mat for <i>Aqualift S 200</i>	680 991
2	Clamp fastener for cover	680 975	14	Pump hanger with screws for <i>Aqualift S</i>	
3	Seal	680 150	14a	for GTF 600 Mono	680 973
4	One-handed closure for backflow preventer	680 018	14b	for GTF 1250 Mono	680 974
5	Cover with seal	680 076	15	Bracket for pressure pipe for Duo	680 972
6	Immersion pipe connector for <i>Aqualift S 100/200</i>	680 985	16	Immersion pipe connector for <i>Aqualift S 200</i> incl. screws and seal	680 995
7	Ventilation connector spigot Ø 75 for <i>Aqualift S 200</i> incl. screws and seal	680 994	17	Immersion pipe for <i>Aqualift S 200</i>	680 989
8	Replacement pump		18	Quick fitting for the pressure hose, with 5 m cable	680 996
8a	GTF 600 without float switch for <i>Aqualift S 100/200</i>	680 977	19	Pressure pipe	
8b	GTF 1250 without float switch for <i>Aqualift S 100/200</i>	680 979	19a	for <i>Aqualift S 200</i> GTF 600	680 992
9	Impeller		19b	for <i>Aqualift S 200</i> GTF 1250	680 993
9a	GTF 600 for <i>Aqualift S 100/200</i>	680 887	20	Flap housing Duo, with pressure pipe connection	680 781
9b	GTF 1250 for <i>Aqualift S 100/200</i>	680 804	21	Pressure pipe connection	680 760
10	Spiral housing		22	Cable entry for <i>Aqualift S 100/200</i>	680 981
10a	GTF 600 for <i>Aqualift S 100/200</i>	680 888	23	Ventilation connector Ø 75 incl. screws and seal	680 994
10b	GTF 1250 for <i>Aqualift S 100/200</i>	680 998	24	Battery, 9 V block	680 034
11	Blind cover for <i>Aqualift S 100/200</i> with screws and seal	680 980	25	Control unit Duo	28 746
12	Inlet connection		26	Seal set for <i>Aqualift S Duo</i>	680 491
12a	Ø 110 for <i>Aqualift S 100/200</i>	680 986			
12b	Ø 150 for <i>Aqualift S 100/200</i>	680 987			

Lifting station *Aqualift F Compact Mono/Duo*

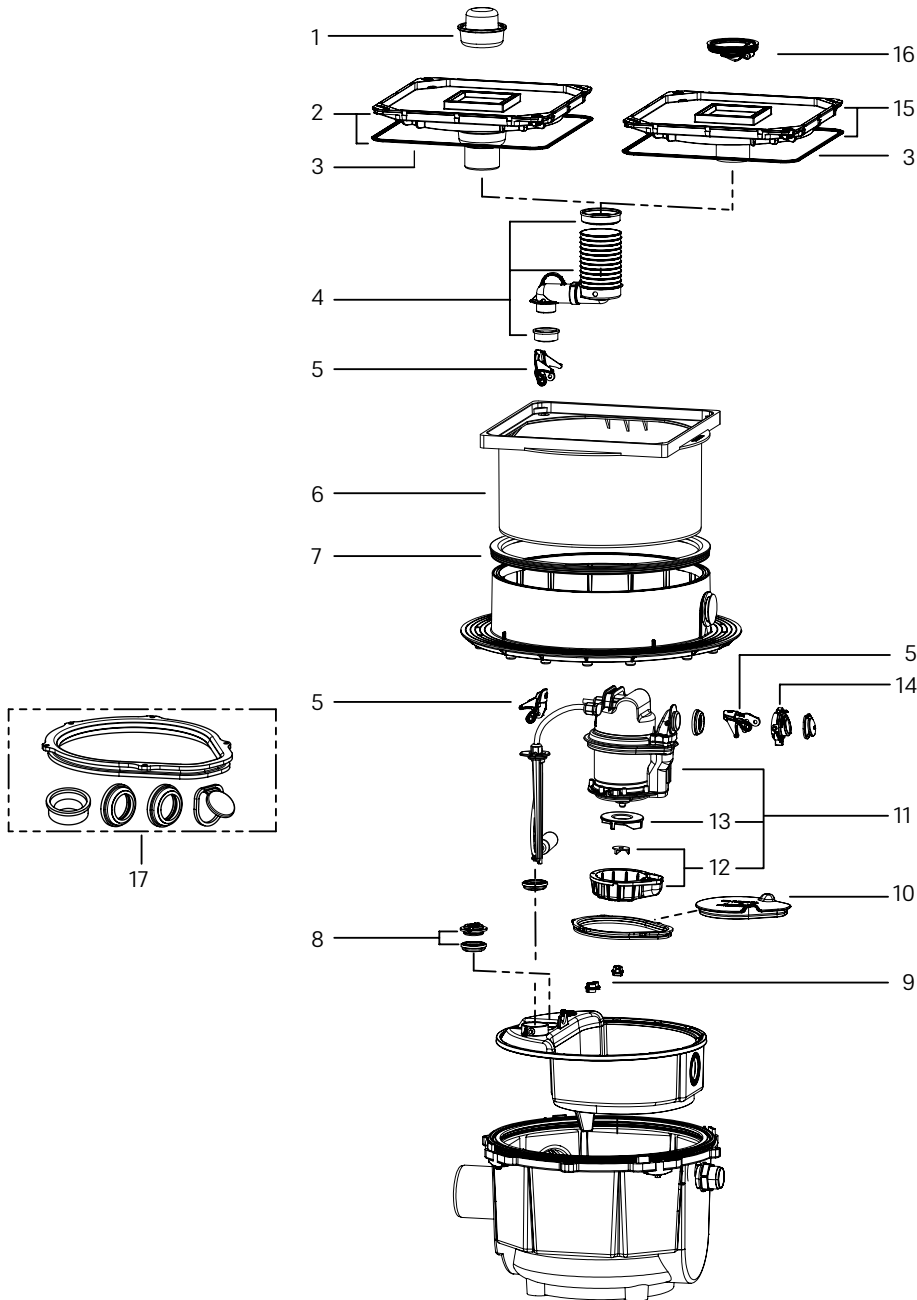
Free-standing installation, beginning model year 04/2012



Item	Designation	Art. no.	Item	Designation	Art. no.
1	Control unit		11	Pressure connection bracket	680 119
1a	Comfort <i>Aqualift Mono</i> , 230 V	28 731	12	Turn fastener for pump (1 ea.)	680 070
1b	Comfort <i>Aqualift Duo</i> , 230 V	28 746	13	Cover, <i>Aqualift F Compact</i> pump opening	28 732
2	Battery, 9 V block	680 034	14a	Replacement pump KTP/SPZ 1000, 230 V	28 739
3	One-handed closure for backflow preventer	680 018	14b	Replacement pump SPZ 1000 resistant	680 951
4	Pressure hose, 6 × 4 mm, 100 natural (sold by the metre)	680 071	15	Replacement blade set for KTP 1000 / SPZ 1000, with screws	28 075
5	Immersion pipe <i>Aqualift F Compact</i> , 5 m hose, with horizontal pressure pipe connection	28 744	16	Impeller KTP/SPZ 1000, without intake cover	680 035
6	Immersion pipe connector	28 734	17	Pump coupling with one-handed closure	
7	Cover with seal	680 076	17a	Mono, beginning model year 01/2016	680 486
8	Optical probe with 3 adapters, 5 m cable	80 888	17b	Duo, beginning model year 01/2016	680 487
9	Splash protection set for optical probe	28 706	18	Threaded connection for <i>Aqualift F Compact</i>	680 676
10	Pump plate	28 733	19	Seal set for <i>Aqualift F Compact Mono</i>	680 453
			20	Seal set for <i>Aqualift F Compact Duo</i>	680 454

Wastewater station, *Aqualift F Mono* Underground

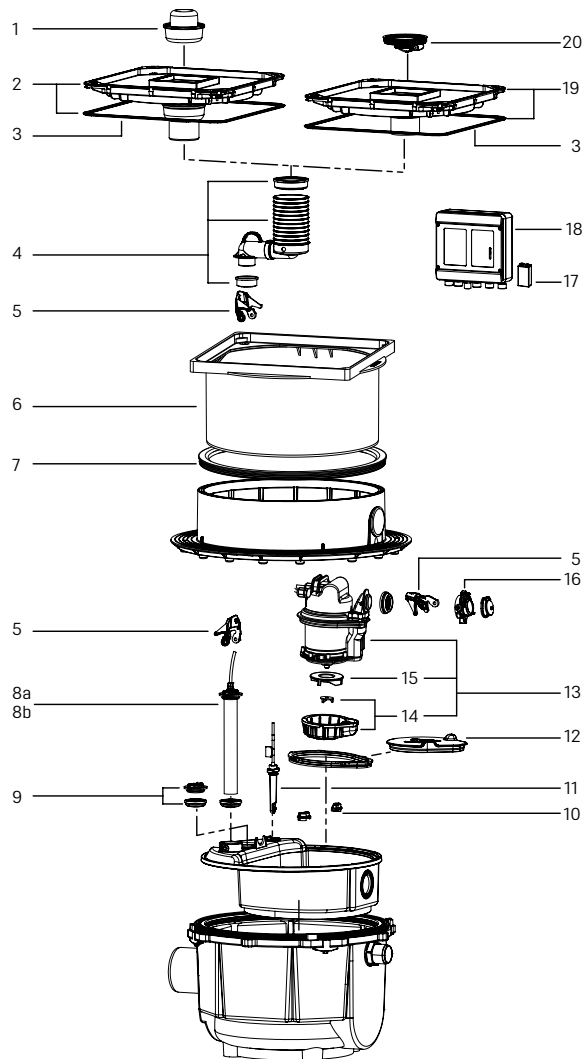
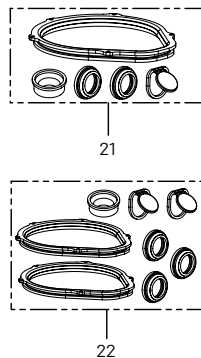
Installation in the floor slab, up to model year 03/2012



Item	Designation	Art. no.	Item	Designation	Art. no.
1	Odour trap, sealing water height 50 mm	47 200	9	Turn fastener for pump (1 ea.)	680 070
2	Cover plate, stone grey, tileable with drain and seal, beginning model year 01/2011	83 055	10	Cover for pump opening	28 732
3	Seal for cover plate 384 × 384 mm	680 025	11	Replacement pump KTP/SPZ 1000, 230 V, with float switch and bracket	28 301
4	Connector, drain Ø 75, with seal and rubber seal	680 075	12	Replacement blade set for KTP/SPZ 1000, with screws	28 075
5	One-handed closure for backflow preventer	680 018	13	Impeller KTP/SPZ 1000, without intake cover	680 035
6	Upper section, vertically adjustable up to 180 mm	83 061	14	Pump connection suitable for pumping stations	680 065
7	Profiled lip seal for upper section	680 026	15	Cover plate, stone grey, tileable, with drain, seal and <i>Multistop</i>	83 045
8	Cover with seal	680 076	16	Odour trap, <i>Multistop</i> with integrated seal	43 500
			17	Mono seal set	28 737

Wastewater station *Aqualift F Mono/Duo Tronic* Underground

Installation in the floor slab, up to model year 03/2012

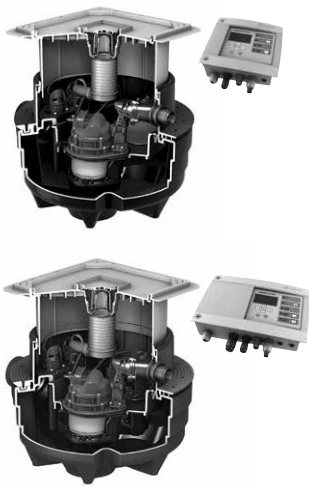


Item	Designation	Art. no.	Item	Designation	Art. no.
1	Odour trap, sealing water height 50 mm	47 200	10	Turn fastener for pump (1 ea.)	680 070
2	Cover plate, stone grey, tileable with drain and seal, beginning model year 01/2011	83 055	11	Optical probe with 3 adapters, 5 m cable	80 888
3	Seal for cover plate 384 × 384 mm	680 025	12	Cover for pump opening	28 732
4	Connector, drain Ø 75, with seal and rubber seal	680 075	13	Replacement pump KTP/SPZ 1000, 230 V	28 351
5	One-handed closure for backflow preventer	680 018	14	Replacement blade set for KTP/SPZ 1000, with screws	28 075
6	Upper section, vertically adjustable up to 180 mm	83 061	15	Impeller KTP/SPZ 1000, without intake cover	680 035
7	Profiled lip seal for upper section	680 026	16	Pump connection suitable for pumping stations	680 065
8	Immersion pipe		17	Battery, 9 V block	680 034
8a	310 mm, 5 m hose, up to model year 03/2010	680 072	18	Control unit	*
8b	250 mm, 5 m hose, beginning model year 04/2010	680 074	19	Cover plate, stone grey, tileable, with drain, seal and <i>Multistop</i>	83 045
9	Cover with seal	680 076	20	Odour trap, <i>Multistop</i> with integrated seal	43 500
			21	Mono seal set	28 737
			22	Duo seal set	28 738

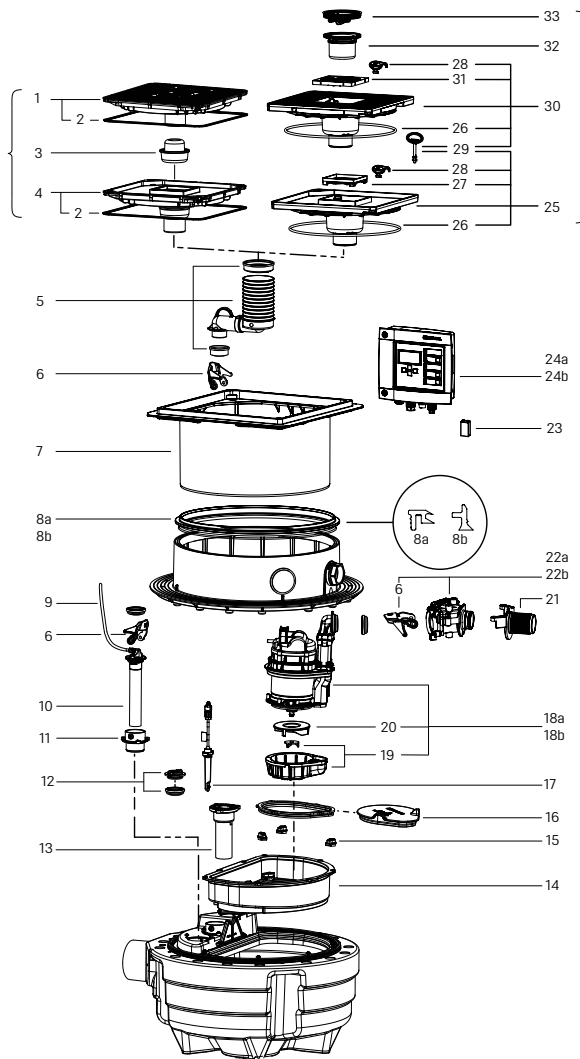
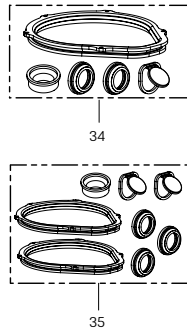
* For control units, see page 107

Lifting station *Aqualift F Compact Mono/Duo*

Installation in the floor slab, beginning model year 02/2017



Cover plates up to model year 01/2020

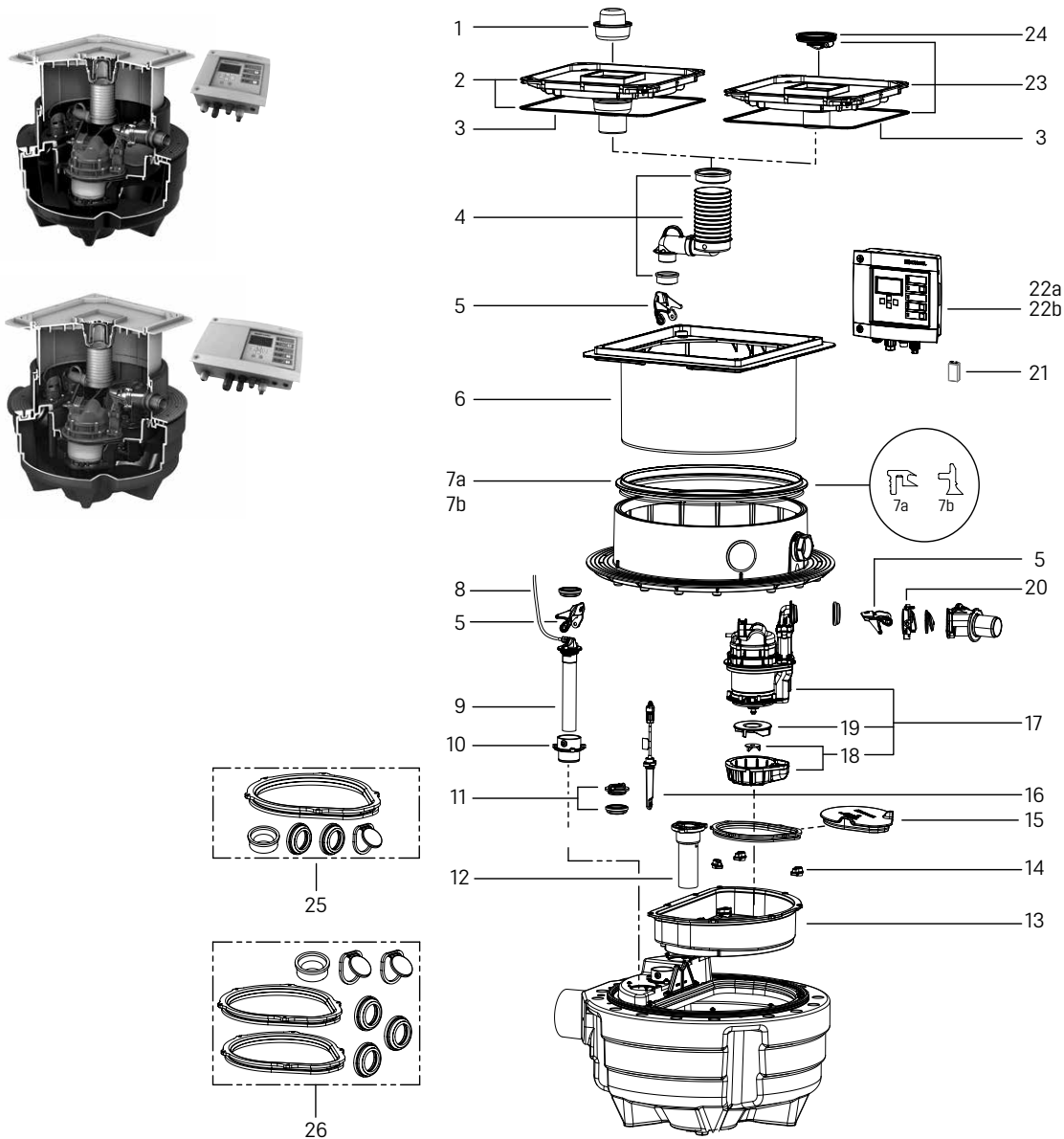


Cover plates beginning model year 02/2020

Item	Designation	Art. no.	Item	Designation	Art. no.
1	Cover plate, black with drain and seal, up to model year 01/2020	83 046	19	Replacement blade set for KTP 1000 / SPZ 1000, with screws	28 075
2	Seal for cover plate 384 × 384 mm	680 025	20	Impeller KTP/SPZ 1000, without intake cover	680 035
3	Odour trap, sealing water height 50 mm	47 200	21	Threaded connection for <i>Aqualift F Compact</i>	680 676
4	Cover plate, stone grey, tileable, with drain and seal, up to 01/2020	83 055	22	Pump coupling with one-handed closure	
5	Connector, drain Ø 75, with seal and rubber seal	680 075	22a	Mono, beginning model year 01/2016	680 486
6	One-handed closure for backflow preventer	680 018	22b	Duo, beginning model year 01/2016	680 487
7	Upper section, height up to 170 mm, beginning model year 02/2020	830 061	23	Battery, 9 V block	680 034
8	Profiled lip seal for upper section		24	Control unit	
8a	up to model year 06/2014	680 026	24a	Comfort <i>Aqualift Mono</i> , 230 V	28 731
8b	beginning model year 07/2014	680 150	24b	Comfort <i>Aqualift Duo</i> , 230 V	28 746
9	Pressure hose, 6 × 4 mm, 100 natural (sold by the metre)	680 071	25	Cover plate, stone grey, tileable, with drain and seal, beginning 02/2020	830 055
10	Immersion pipe <i>Aqualift F Compact</i> , 5 m hose, with horizontal pressure pipe connection	28 744	26	Seal for cover plate, System 330 mm	686 114
11	Immersion pipe connector	28 734	27	Drain cover, tileable, Lock & Lift, ABS	680 224
12	Cover with seal	680 076	28	Release key for <i>Lock & Lift</i> insert gratings	680 702
13	Splash protection set for optical probe	28 706	29	Release key for <i>Lock & Lift</i> cover plates	67 007
14	Pump plate	28 733	30	Cover plate, black with drain and seal, beginning model year 02/2020	830 056
15	Turn fastener for pump (1 ea.)	680 070	31	Slotted insert grating, 138 × 138 mm, polymer	60 101S
16	Cover, <i>Aqualift F Compact</i> pump opening	28 732	32	Odour trap	680 696
17	Optical probe with 3 adapters, 5 m cable	80 888	33	Odour trap, <i>Multistop</i> , System 125	48 500
18a	Replacement pump KTP/SPZ 1000, 230 V, with extended pressure pipe	28 739	34	Seal set for <i>Aqualift F Compact Mono</i>	680 453
18b	Replacement pump SPZ 1000 resistant	680 951	35	Seal set for <i>Aqualift F Compact Duo</i>	680 454

Lifting station *Aqualift F Compact Mono/Duo*

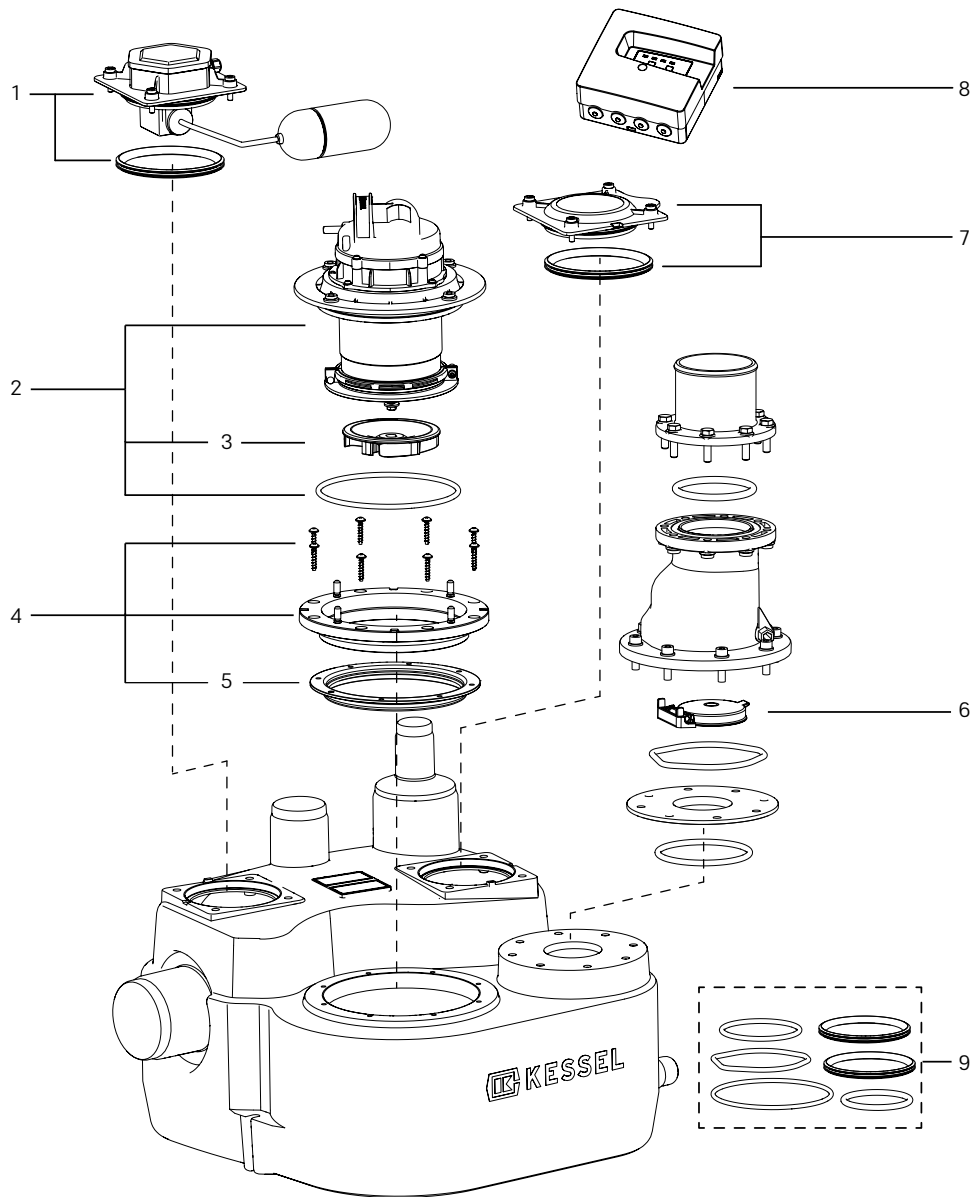
Installation in the floor slab, up to model year 01/2017



Item	Designation	Art. no.	Item	Designation	Art. no.
1	Odour trap, sealing water height 50 mm	47 200	15	Cover, <i>Aqualift F Compact</i> pump opening	28 732
2	Cover plate, stone grey, tileable with drain and seal	83 055	16	Optical probe with 3 adapters, 5 m cable	80 888
3	Seal for cover plate 384 × 384 mm	680 025	17	Replacement pump KTP/SPZ 1000, 230 V, with extended pressure pipe connection	28 739
4	Connector, drain Ø 75, with seal and rubber seal	680 075	18	Replacement blade set for KTP/SPZ 1000, with screws	28 075
5	One-handed closure for backflow preventer	680 018	19	Impeller KTP/SPZ 1000, without intake cover	680 035
6	Upper section, vertically adjustable up to 180 mm	83 061	20	Pump connection suitable for pumping stations	680 065
7	Profiled lip seal for upper section		21	Battery, 9 V block	680 034
7a	up to model year 06/2014	680 026	22	Control unit	
7b	beginning model year 07/2014	680 150	22a	Comfort <i>Aqualift Mono</i> , 230 V	28 731
8	Pressure hose, 6 × 4 mm, 100 natural (sold by the metre)	680 071	22b	Comfort <i>Aqualift Duo</i> , 230 V	28 746
9	Immersion pipe <i>Aqualift F Compact</i> , 5 m hose, with horizontal pressure pipe connection	28 744	23	Cover plate, stone grey, tileable, with drain and seal incl. <i>Multistop</i> , beginning model year 01/2011	83 045
10	Immersion pipe connector	28 734	24	Odour trap, <i>Multistop</i> with integrated seal	43 500
11	Cover with seal	680 076	25	Seal set for <i>Aqualift F Compact Mono</i>	680 453
12	Splash protection set for optical probe	28 706	26	Seal set for <i>Aqualift F Compact Duo</i>	680 454
13	Pump plate	28 733			
14	Turn fastener for pump (1 ea.)	680 070			

Lifting station *Aqualift F Basic*

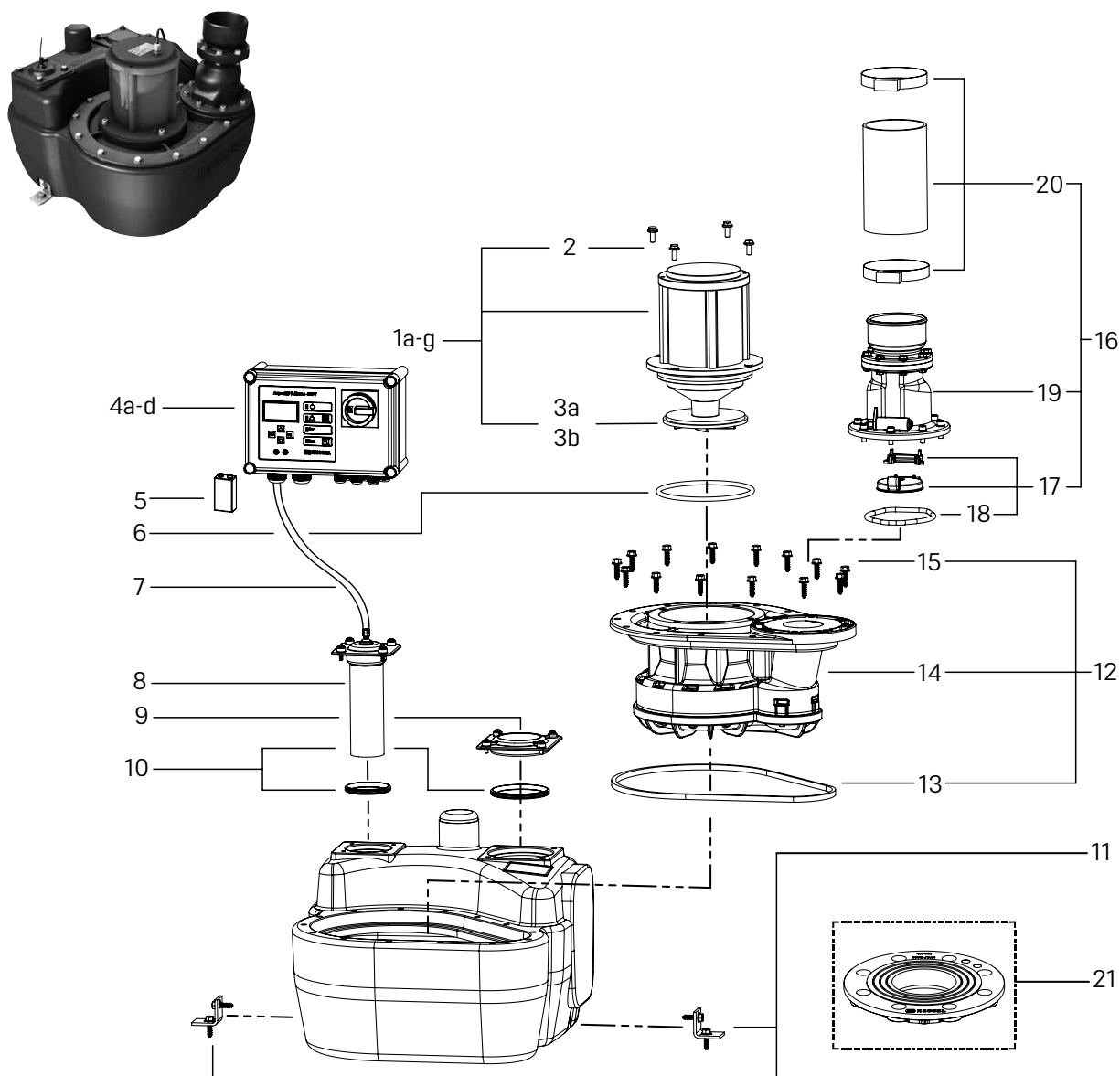
Free-standing installation



Item	Designation	Art. no.	Item	Designation	Art. no.
1	Float switch unit, Basic, incl. seal	680 539	6	Non-return flap with flap holder	680 548
2	Replacement pump SPF 1300	680 535	7	Cleaning cover incl. seal	680 538
3	Impeller for SPF 1300	680 536	8	Control unit, Mono, 230 V	680 541
4	Pump flange incl. seal and screws	680 537	9	Basic seal set	680 540
5	Flange seal	680 549			

Lifting station *Aqualift F*

Free-standing installation, beginning model year 04/2013

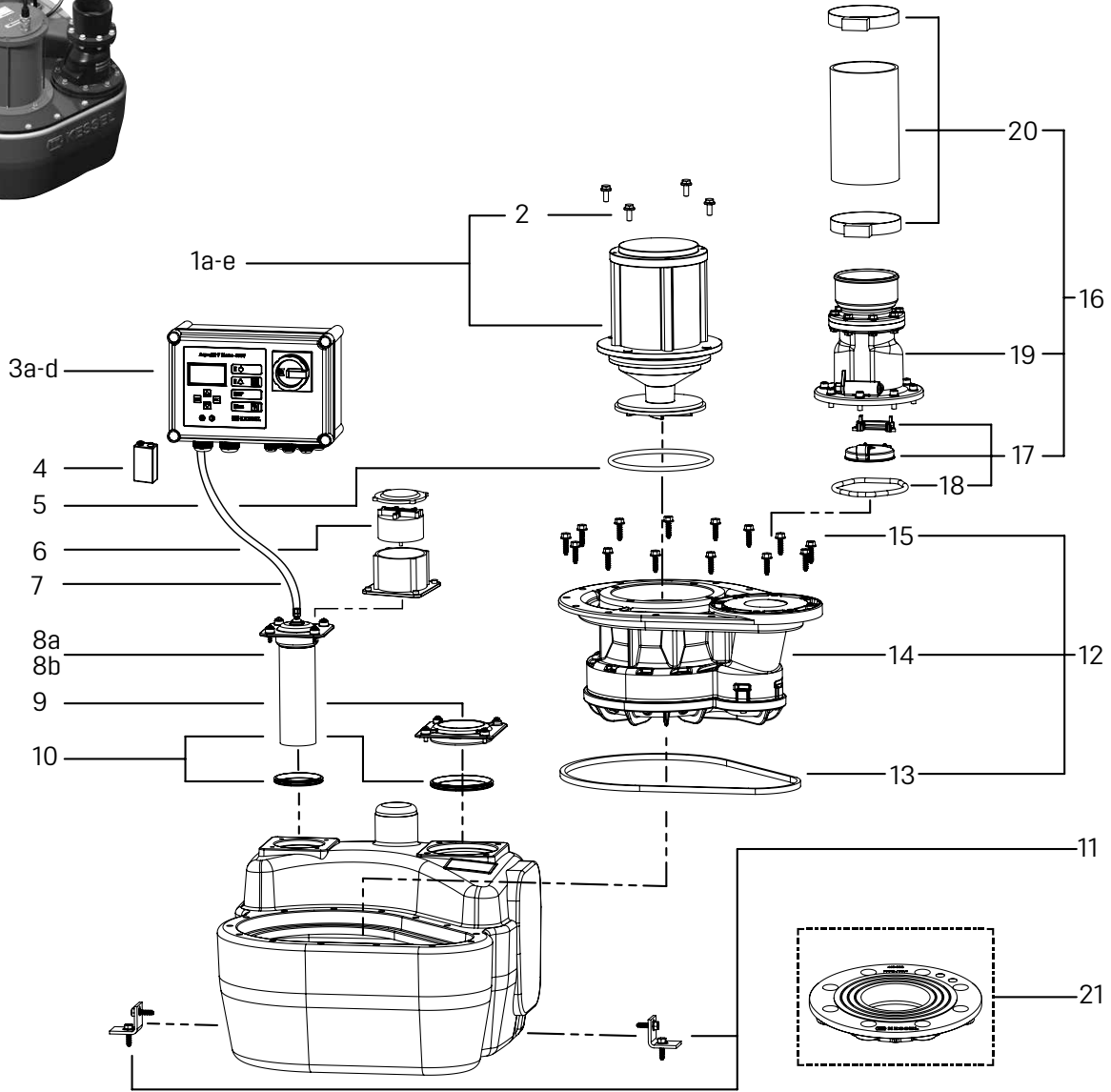


Item	Designation	Art. no.	Item	Designation	Art. no.
1	Motor with impeller *		5	Battery, 9 V block	680 034
1a	SPF 1400, S1, 230 V, without capacitor, 5 m cable	680 095	6	Flange seal for SPF 1400 - SPF 4500	680 052
1b	SPF 1400, S3, 230 V, with capacitor, 5 m cable	28 029	7	Pressure hose, 6 × 4 mm, 100 natural (sold by the metre)	680 071
1c	SPF 1400, S3, 230 V, with capacitor, 10 m cable	680 218	8	Immersion pipe, <i>Aqualift F Mono</i> , 5 m hose	680 055
1d	SPF 1500, S3, 400 V, 5 m cable	28 028	9	Cleaning cover, screwed, 160 × 140 mm	680 044
1e	SPF 1500, S3, 400 V, 10 m cable	680 098	10	Seal set for <i>Aqualift F</i>	28 608
1f	SPF 3000, S3, 400 V, 5 m cable	28 027	11	Attachment bracket with screws (2 ea.)	680 046
1g	SPF 3000, S3, 400 V, 10 m cable	680 221	12	Replacement set pump flange, <i>Aqualift F</i>	28 051
2	Bolt set for pump	28 609	13	Pump flange seal, <i>Aqualift F</i>	680 045
3	Impeller		14	Pump flange SPF 1400 - SPF 4500	680 050
3a	for SPF 1400 / 1500, for <i>Aqualift</i> lifting stations	680 643	15	Screw set, galvanised (14 ea.)	680 047
3b	for SPF 3000, for <i>Aqualift</i> lifting stations	680 642	16	Replacement set flap housing, <i>Aqualift F Mono</i> , Ø 110	28 676
4	Control unit *		17	Flap set with rolling ring seal, flap and flap holder	680 053
4a	Comfort <i>Aqualift Mono</i> , 230 V, without capacitor	28 731	18	Seal Ø 125	680 002
4b	Comfort <i>Aqualift Mono</i> , 2.5 - 4.0 A, 400 V for SPF 1500	28 755	19	Flap housing for Mono systems, without shut-off valve	680 060
4c	Comfort <i>Aqualift Mono</i> , 4.0 - 6.3 A, 400 V for SPF 3000	28 756	20	Flexible coupling Ø 110, for pressure pipes made of PE, 2 hose clamps	28 663
4d	Standard <i>Aqualift F Mono</i> , 230 V with capacitor	680 062	21	Flange adapter Ø 80, for polymer fitting	28 714

* The pump and control unit combination for 230 V systems, must include one capacitor.

Lifting station *Aqualift F*

Free-standing installation, up to model year 03/2013



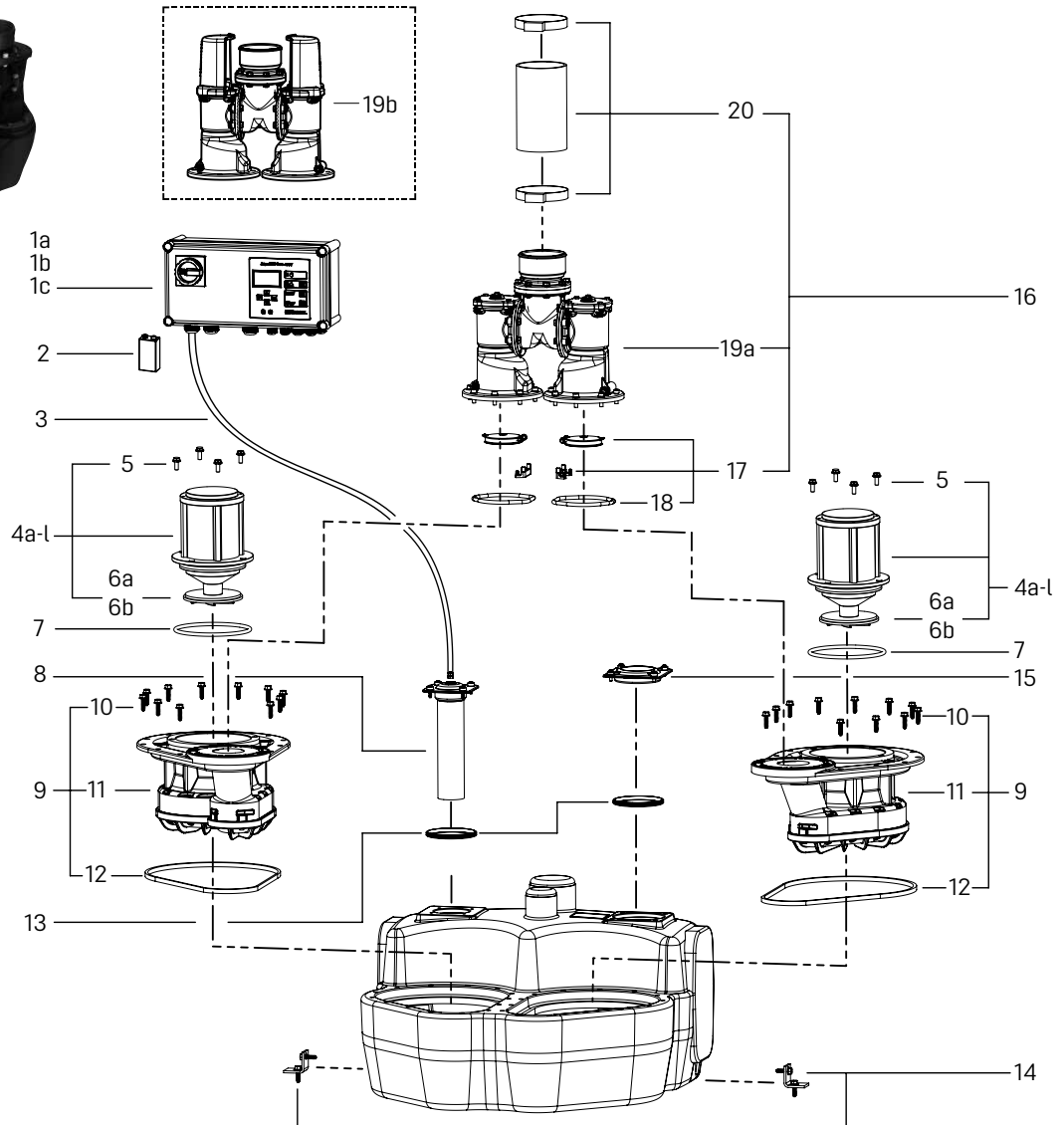
Item	Designation	Art. no.
1	Motor with impeller	
1a	SPF 1400, S1, 230 V, 5 m cable, without capacitor	680 095
1b	SPF 1500, S3, 400 V, 5 m cable	28 028
1c	SPF 3000, S3, 400 V, 5 m cable	28 027
1d	SPF 1500, S3, 400 V, 10 m cable	680 098
1e	SPF 3000, S3, 400 V, 10 m cable	680 221
2	Bolt set for pump	28 609
3	Control units*	
3a	Comfort, <i>Aqualift Mono</i> , 2.5 – 4.0 A, 400 V for SPF 1500	28 755
3b	Comfort <i>Aqualift Mono</i> , 4.0 – 6.3 A, 400 V for SPF 3000	28 756
3c	Comfort <i>Aqualift Mono</i> , 230 V, without capacitor	28 731
3d	Standard <i>Aqualift F Mono</i> , 230 V with capacitor	680 062
4	Battery, 9 V block	680 034
5	Flange seal for SPF 1400 – SPF 4500	680 052
6	Pressure monitor, Mono, incl. seal	28 045
7	Pressure hose, 6 × 4 mm, 100 natural (sold by the metre)	680 071

Item	Designation	Art. no.
8	Immersion pipe, <i>Aqualift F Mono</i>	
8a	with 10 m cable, up to model year 12/2009	680 048
8b	with 5 m hose, beginning model year 01/2010	680 055
9	Cleaning cover, screwed, 160 × 140 mm	680 044
10	Seal set for <i>Aqualift F</i>	28 608
11	Attachment bracket with screws (2 ea.)	680 046
12	Replacement pump flange set, <i>Aqualift F</i>	28 051
13	Pump flange seal, <i>Aqualift F</i>	680 045
14	Pump flange SPF 1400 – SPF 4500	680 050
15	Screw set, galvanised (14 ea.)	680 047
16	Replacement pump housing set, <i>Aqualift F Mono</i> , Ø 110	28 676
17	Flap set with rolling ring seal, flap and flap holder	680 053
18	Seal Ø 125	680 002
19	Flap housing for Mono systems, without shut-off valve	680 060
20	Flexible coupling Ø 110, for pressure pipes made of PE, 2 hose clamps	28 663
21	Flange adapter Ø 80, for polymer fitting	28 714

* For control units, see page 106

Lifting station *Aqualift F Duo*

Free-standing installation, beginning model year 04/2013

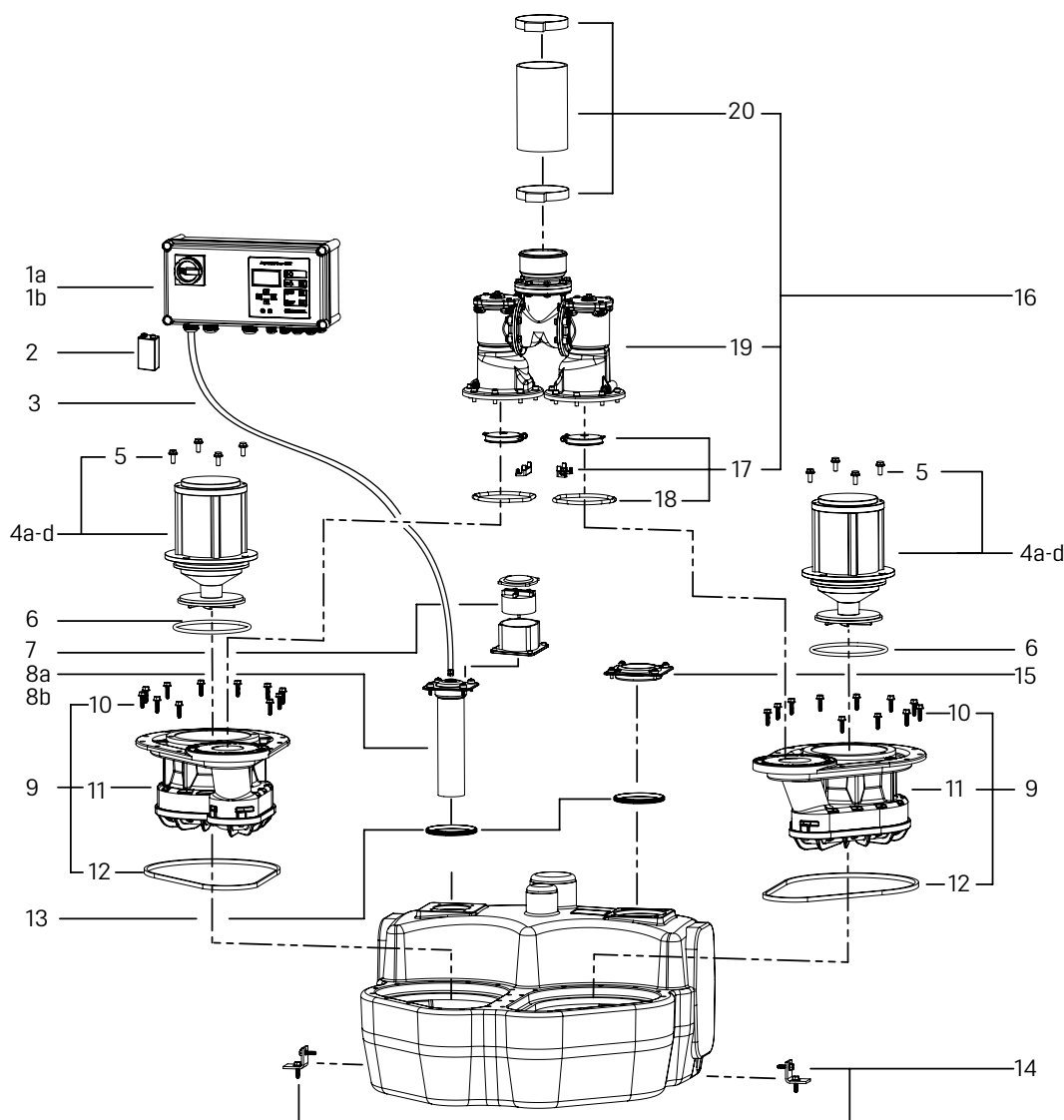


Item	Designation	Art. no.
1	Control unit	
1a	Comfort <i>Aqualift Duo</i> , 400 V, 2 × 2.5 – 4.0 A, for SPF 1500	28 757
1b	Comfort <i>Aqualift Duo</i> , 400 V, 2 × 4.0 – 6.3 A, for SPF 3000	28 758
1c	Comfort <i>Aqualift Duo</i> , 230 V for SPF 1400	28 746
2	Battery, 9 V block	680 034
3	Pressure hose, 6 × 4 mm, 100 natural (sold by the metre)	680 071
4	Motor with impeller	
4a	SPF 1400, S3, 230 V, with capacitor, 5 m cable	28 029
4b	SPF 1400, S3, 230 V, with capacitor, 10 m cable	680 218
4c	SPF 1400, S1, 230 V, with capacitor, with 5 m cable	28 066
4d	SPF 1400, S1, 230 V, with capacitor, with 10 m cable	680 219
4e	SPF 1500, S3, 400 V, 5 m cable	28 028
4f	SPF 1500, S3, 400 V, 10 m cable	680 098
4g	SPF 1500, S1, 400 V, 5 m cable	28 065
4h	SPF 1500, S1, 400 V, 10 m cable	680 445
4i	SPF 3000, S3, 400 V, 5 m cable	28 027
4j	SPF 3000, S3, 400 V, 10 m cable	680 221
4k	SPF 3000, S1, 400 V, 5 m cable	28 064
4l	SPF 3000, S1, 400 V, 10 m cable	680 532

Item	Designation	Art. no.
5	Bolt set for pump	28 609
6	Impeller	
6a	for SPF 1400 / 1500, for <i>Aqualift</i> lifting stations	680 643
6b	for SPF 3000, for <i>Aqualift</i> lifting stations	680 642
7	Flange seal for SPF 1400 – SPF 4500	680 052
8	Pressure sensor for <i>Aqualift F</i> and <i>S Duo</i> , 5 m cable, beginning 01/2010	680 056
9	Replacement pump flange set, <i>Aqualift F</i>	28 051
10	Screw set, galvanised (14 ea.)	680 047
11	Pump flange SPF 1400 – SPF 4500	680 050
12	Pump flange seal, <i>Aqualift F</i>	680 045
13	Seal set for <i>Aqualift F</i>	28 608
14	Attachment bracket with screws (2 ea.)	680 046
15	Cleaning cover, screwed, 160 × 140 mm	680 044
16	Flap housing with pressure hose, Ø 110	28 677
17	Flap set with rolling ring seal, flap and flap holder	680 053
18	Rolling ring Ø 125	680 002
19a	Flap housing for Duo systems, without shut-off valve	680 061
19b	Flap housing for Duo systems with two shut-off valves	680 419
20	Flexible coupling Ø 110, for pressure pipes made of PE, 2 hose clamps	28 663

Lifting station *Aqualift F Duo*

Free-standing installation, up to model year 03/2013

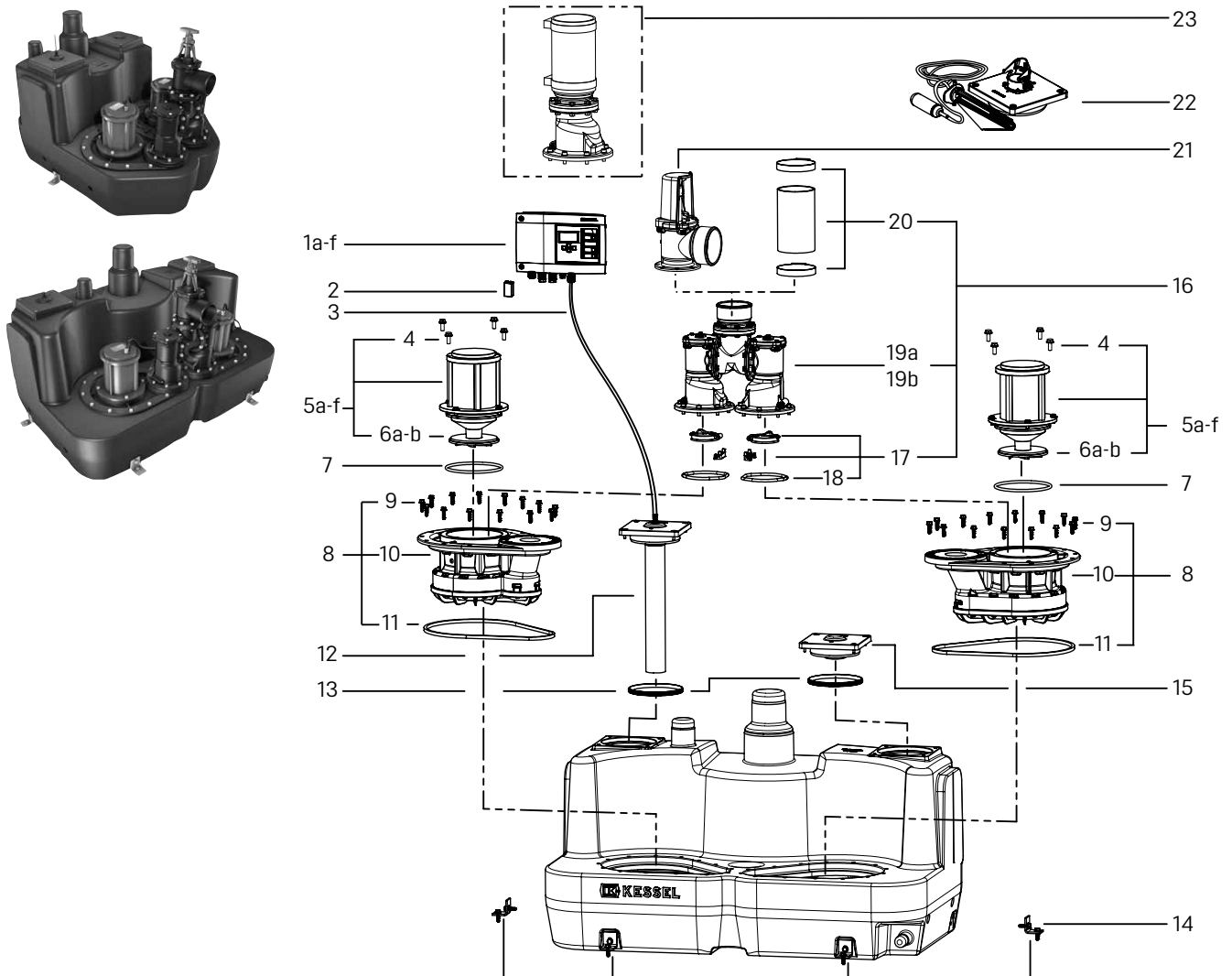


Item	Designation	Art. no.
1	Control units	
1a	Comfort <i>Aqualift Duo</i> , 400 V, 2 × 2.5 - 4.0 A, for SPF 1500	28 757
1b	Comfort, <i>Aqualift Duo</i> , 400 V, 2 × 4.0 - 6.3 A, for SPF 3000	28 758
2	Battery, 9 V block	680 034
3	Pressure hose, 6 × 4 mm, 100 natural (sold by the metre)	680 071
4	Motor with impeller	
4a	SPF 1500, S3, 400 V, 5 m cable	28 028
4b	SPF 3000, S3, 400 V, 5 m cable	28 027
4c	SPF 1500, S3, 400 V, 10 m cable	680 098
4d	SPF 3000, S3, 400 V, 10 m cable	680 221
5	Bolt set for pump	28 609
6	Flange seal for SPF 1400 - SPF 4500	680 052
7	Pressure monitor, Duo, with seal, up to model year 12/2009	28 046
8	Pressure sensor	

Item	Designation	Art. no.
8a	<i>Duo</i> , 10 m cable, up to model year 12/2009	680 049
8b	for <i>Aqualift F</i> and <i>S Duo</i> , 5 m cable, beginning model year 01/2010	680 056
9	Replacement pump flange set, <i>Aqualift F</i>	28 051
10	Screw set, galvanised (14 ea.)	680 047
11	Pump flange SPF 1400 - SPF 4500	680 050
12	Pump flange seal, <i>Aqualift F</i>	680 045
13	Seal set for <i>Aqualift F</i>	28 608
14	Attachment bracket with screws (2 ea.)	680 046
15	Cleaning cover, screwed, 160 × 140 mm	680 044
16	Flap housing with pressure hose, Ø 110	28 677
17	Flap set with rolling ring seal, flap and flap holder	680 053
18	Seal Ø 125	680 002
19	Flap housing for Duo systems, without shut-off valve	680 061
20	Flexible coupling Ø 110, for pressure pipes made of PE, 2 hose clamps	28 663

Lifting station *Aqualift F XL*, fittings made of polymer

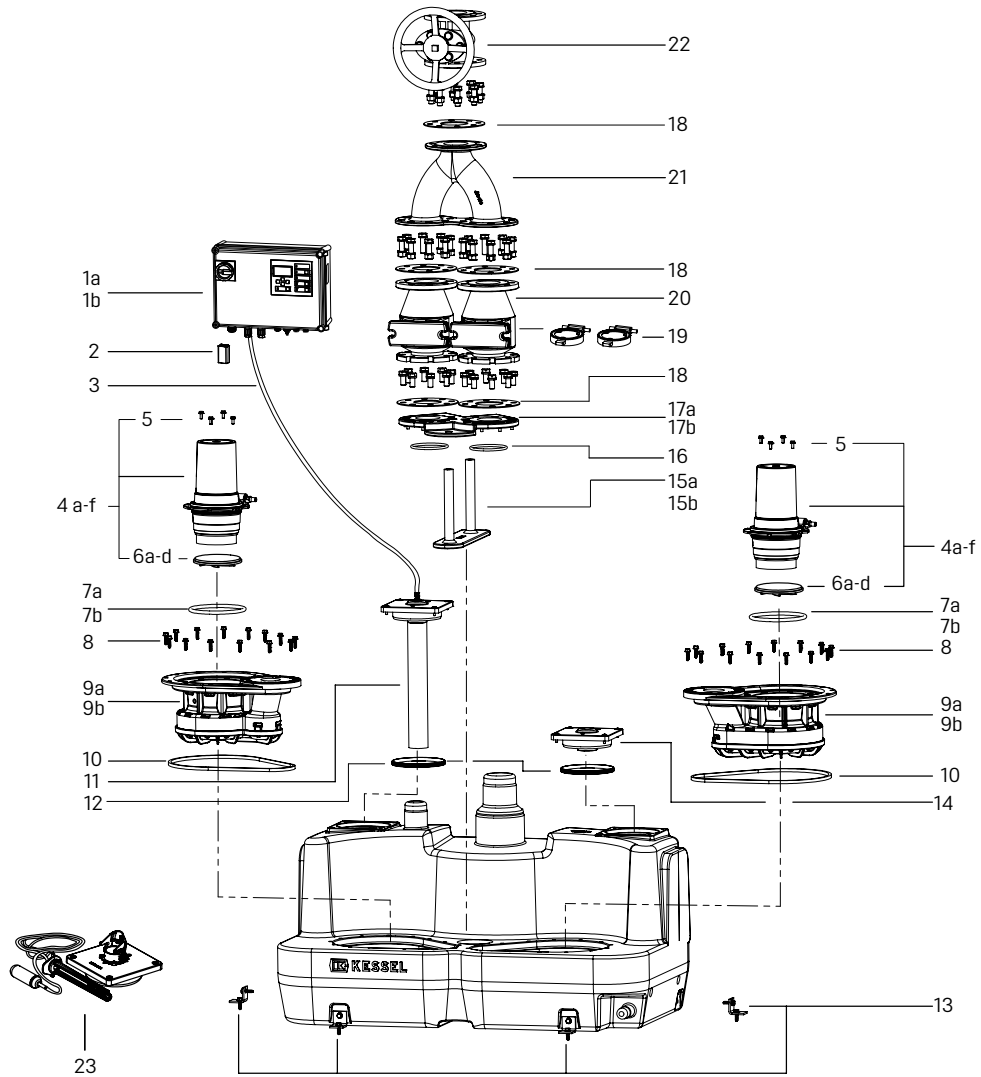
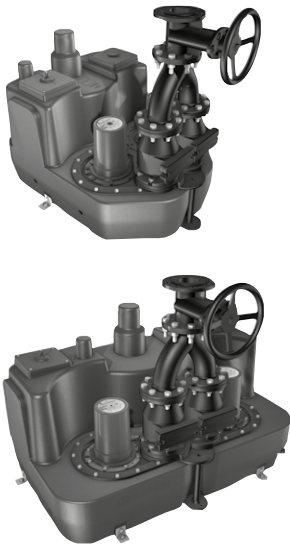
(up to SPF 3000), Free-standing installation



Item	Designation	Art. no.	Item	Designation	Art. no.
1	Control unit		6b	for SPF 3000, for <i>Aqualift</i> lifting stations	680 642
1a	Comfort <i>Aqualift Mono</i> , 230 V	28 731	7	Flange seal for SPF 1400 – 4500	680 052
1b	Comfort <i>Aqualift Duo</i> , 230 V	28 746	8	Replacement pump flange set, <i>Aqualift F</i>	28 051
1c	Comfort <i>Aqualift Mono</i> , 2.5 – 4.0 A, 400 V for SPF 1500	28 755	9	Screw set, galvanised (14 ea.)	680 047
1d	Comfort <i>Aqualift Mono</i> , 4.0 – 6.3 A, 400 V for SPF 3000	28 756	10	Pump flange for SPF 1400 – 4500	680 050
1e	Comfort <i>Aqualift Duo</i> , 400 V, 2 × 2.5 – 4.0 A, for SPF 1500	28 757	11	Pump flange seal, <i>Aqualift F</i>	680 045
1f	Comfort, <i>Aqualift Duo</i> , 400 V, 2 × 4.0 – 6.3 A, for SPF 3000	28 758	12	Immersion pipe <i>Aqualift F XL</i> , 5 m hose	28 050
2	Battery, 9 V block	680 034	13	Seal Ø 160 for access cover	680 003
3	Pressure hose, 6 × 4 mm, 100 natural (sold by the metre)	680 071	14	Attachment bracket with screws (2 ea.)	680 046
4	Bolt set for pump	28 609	15	Cleaning cover, screwed, Ø 160	680 421
5	Motor with impeller		16	Flap housing with pressure hose, Ø 110	28 677
5a	SPF 1400, S3, 230 V, with capacitor, 5 m cable	28 029	17	Flap set with rolling ring seal, flap and flap holder	680 053
5b	SPF 1400, S1, 230 V, with capacitor, with 5 m cable	28 066	18	Seal Ø 125	680 002
5c	SPF 1500, S3, 400 V, 5 m cable	28 028	19a	Flap housing for Duo systems, without shut-off valve	680 061
5d	SPF 1500, S1, 400 V, 5 m cable	28 065	19b	Flap housing for Mono systems, without shut-off valve	680 060
5e	SPF 3000, S3, 400 V, 5 m cable	28 027	20	Flexible coupling Ø 110, for pressure pipes made of PE, 2 hose clamps	28 663
5f	SPF 3000, S1, 400 V, 5 m cable	28 064	21	Shut-off valve Ø 110, polymer, horizontal pressure pipe connection	28 683
6	Impeller		22	Float switch, additional alarm for lifting stations	28 014
6a	for SPF 1400 / 1500, for <i>Aqualift</i> lifting stations	680 643	23	Replacement set flap housing, <i>Aqualift F Mono</i> , Ø 110	28 676

Lifting station *Aqualift F XL*, cast iron fittings

Free-standing installation



Item	Designation	Art. no.
1	Control unit	
1a	Comfort, <i>Aqualift Duo</i> , 400 V, 2 × 4.0 – 6.3 A, for SPF 3000	28 758
1b	Comfort, <i>Aqualift Duo</i> , 400 V, 2 × 6.3 – 10.0 A, for SPF 4500 and 5500	28 783
2	Battery, 9 V block	680 034
3	Pressure hose, 6 × 4 mm, 100 natural (sold by the metre)	680 071
4	Motor with impeller	
4a	SPF 3000, S3, 400 V, 5 m cable	28 027
4b	SPF 3000, S1, 400 V, 5 m cable	28 064
4c	SPF 4500, S3, 400 V, 5 m cable	28 026
4d	SPF 4500, S1, 400 V, 5 m cable	28 063
4e	SPF 5500, S3, 400 V, 5 m cable	28 025
4f	SPF 5500E, S3, 400 V, 5 m cable	680 727
5	Bolt set for pump (4 ea.) *	28 609
6	Impeller	
6a	SPF 3000, for <i>Aqualift</i> lifting stations	680 642
6b	SPF 4500, for <i>Aqualift</i> lifting stations	680 641
6c	SPF 5500, for <i>Aqualift</i> lifting stations	680 716
6d	SPF 5500E, for <i>Aqualift</i> lifting stations	681 039
7	Flange seal	

Item	Designation	Art. no.
7a	for SPF 1400 – 4500 and SPF 5500E	680 052
7b	for SPF 5500	680 120
8	Screw set, galvanised (14 ea.)	680 047
9	Pump flange	
9a	for SPF 1400 – SPF 4500 and SPF 5500E	680 050
9b	for SPF 5500	680 550
10	Pump flange seal, <i>Aqualift F</i>	680 045
11	Immersion pipe <i>Aqualift F XL</i> , 5 m hose	28 050
12	Seal Ø 160 for access cover	680 003
13	Attachment bracket with screws (2 ea.)	680 046
14	Cleaning cover, screwed, Ø 160	680 421
15	Support bracket a: for 200 l tank b: for 300/450 l tank	on request
16	Seal Ø 110	680 001
17	Mounting plate a: for 200 l tank b: for 300/450 l tank	on request
18	Flat seal Ø 80	28 043
19	Non-return flap made of polymer, Ø 80	28 074
20	Backflow preventer, Ø 80, grey iron	28 021
21	Y-pipe flange coupling, Ø 80	28 042
22	Shut-off valve Ø 80, grey cast iron, with handwheel	28 041
23	Float switch, additional alarm for lifting stations	28 014

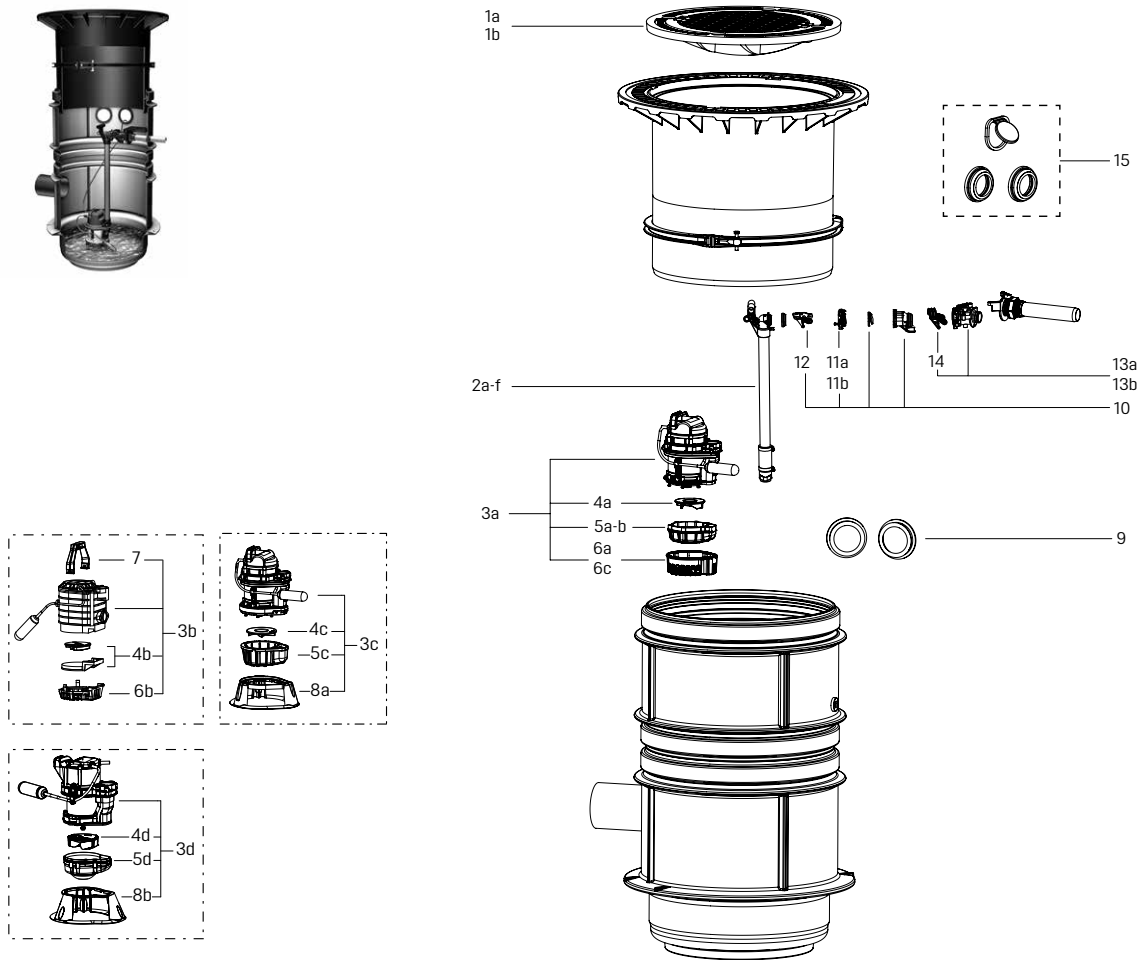
* Must be ordered for pump SPF 5500 2 ×.

3.2 Pumping stations

3.2 Pumping stations	87
Pumping station <i>Aqualift S</i> in the chamber system	88
Pumping station <i>Aqualift S XL</i> in the chamber system	92
Pumping station <i>Aqualift S Basic</i>	94
Pumping station <i>Aqualift S Basic Tronic</i>	95
Pumping station <i>Aqualift F Basic</i>	96
Pumping station <i>Aqualift F Basic Tronic</i>	97
Pumping station <i>Aqualift F</i> in the chamber system	98
Pumping station <i>Aqualift S</i> and <i>F XL</i> in the engineering chamber system	99
Pumping station <i>Aqualift F XL</i> in the engineering system base	100
Pumping station <i>Aqualift S</i> and <i>F XL</i> in the twin-walled reinforced pipe chamber	101
Engineering chamber system with upper sections	102
Overview of control units	106

Pumping station *Aqualift S* in the chamber system Ø 600

with float switch, installation in the ground

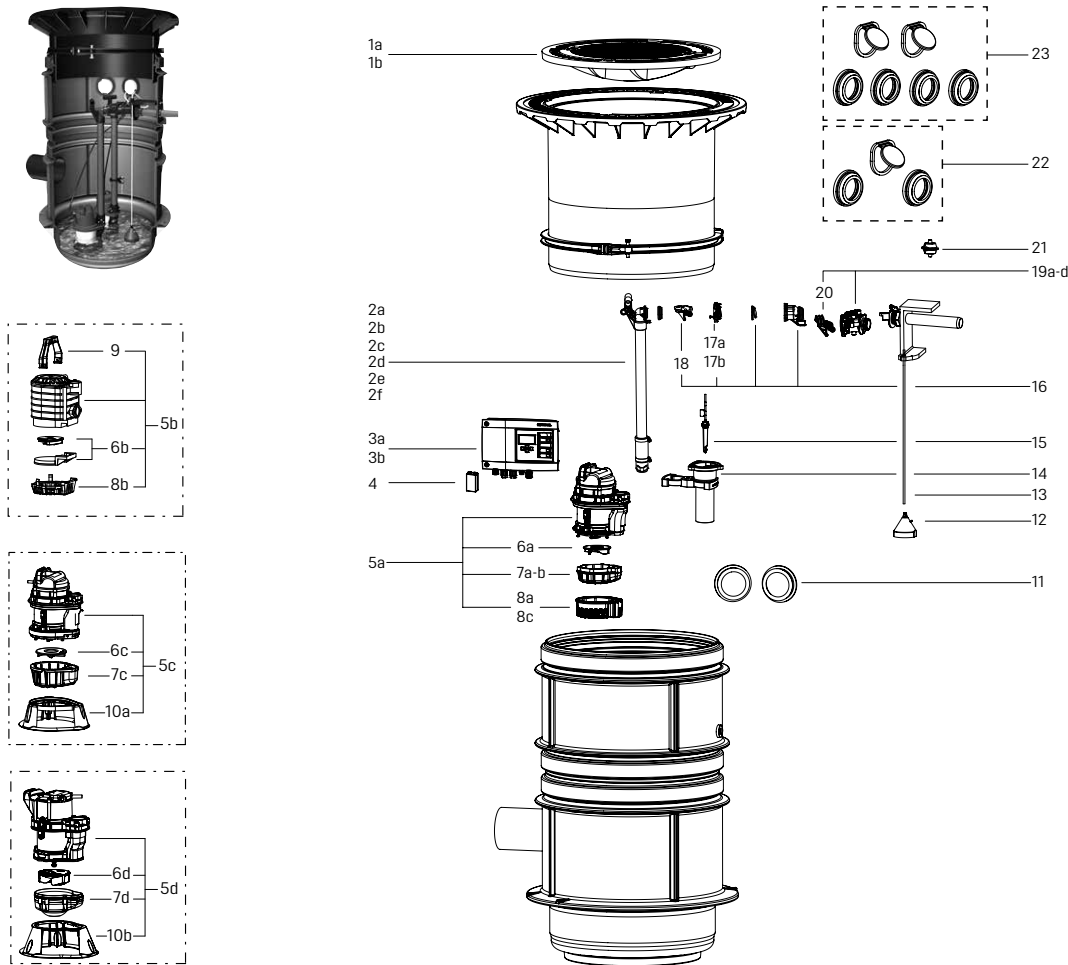


Item	Designation	Art. no.	Item	Designation	Art. no.
1	Cover plate		5a	for KTP 1000 up to model year 03/2014	680 118
1a	class B, grey cast iron with concrete fill	860 131	5b	for KTP 1000, ball passage 10 mm, beginning model year 04/2014	680 364
1b	class D, grey cast iron, <i>Aqualift S Mono</i>	680 059	5c	for GTF 1200, ball passage 30 mm	680 363
2	Riser (up to model year 01/2016)		5d	for GTF 600, free ball passage 30 mm	680 888
2a	Riser length approx. 200 mm	680 112	6	Intake cage	
2b	Riser length approx. 640 mm	680 113	6a	KTP 1000, with push-fit fastener	680 106
2c	Riser length approx. 1130 mm	680 114	6b	KTP 500 with push-fit fastener	680 004
	Riser (beginning model year 02/2016)		6c	KTP 1000 for faecal-free wastewater, 10 mm	680 361
2d	Riser length approx. 200 mm	680 449	7	Pump handle for submersible pump KTP 500	680 007
2e	Riser length approx. 640 mm	680 450	8a	Pump stand for pumping stations <i>Aqualift S</i>	680 362
2f	Riser length approx. 1130 mm	680 451	8b	Pump stand GTF 600, free ball passage 30 mm	680 889
3	Replacement pump		9	Conduit pipe seal, Ø 110	850 117
3a	KTP 1000 with float switch	28 860	10	Flap holder with non-return flap	680 457
3b	KTP 500	*	11	Pump connection suitable for pumping stations	
3c	GTF 1200 with float switch for pumping station	680 594	11a	up to model year 12/2015	680 065
3d	GTF 600, with float switch	680 880	11b	beginning model year 01/2016	680 476
4	Impeller		12	One-handed closure for backflow preventer	680 018
4a	for KTP 1000, without intake cover, without spiral housing	680 035	13	Pump coupling for <i>Aqualift S Mono</i>	
4b	for KTP 500, with intake cover	28 038	13a	up to model year 01/2016	680 109
4c	for GTF 1200, ball passage 30 mm, without spiral housing	680 366	13b	beginning model year 02/2016	680 479
4d	for GTF 600, free ball passage 30 mm	680 887	14	One-handed closure for threaded connection, black	680 698
5	Spiral housing		15	Seal set for <i>Aqualift S</i> Ø 600/1000, <i>Mono</i>	680 490

* Will be replaced by new pump GTF 600, art. no. 680 880

Pumping station *Aqualift S Mono/Duo*

in the chamber system Ø 600 with SDS control unit, installation in the ground



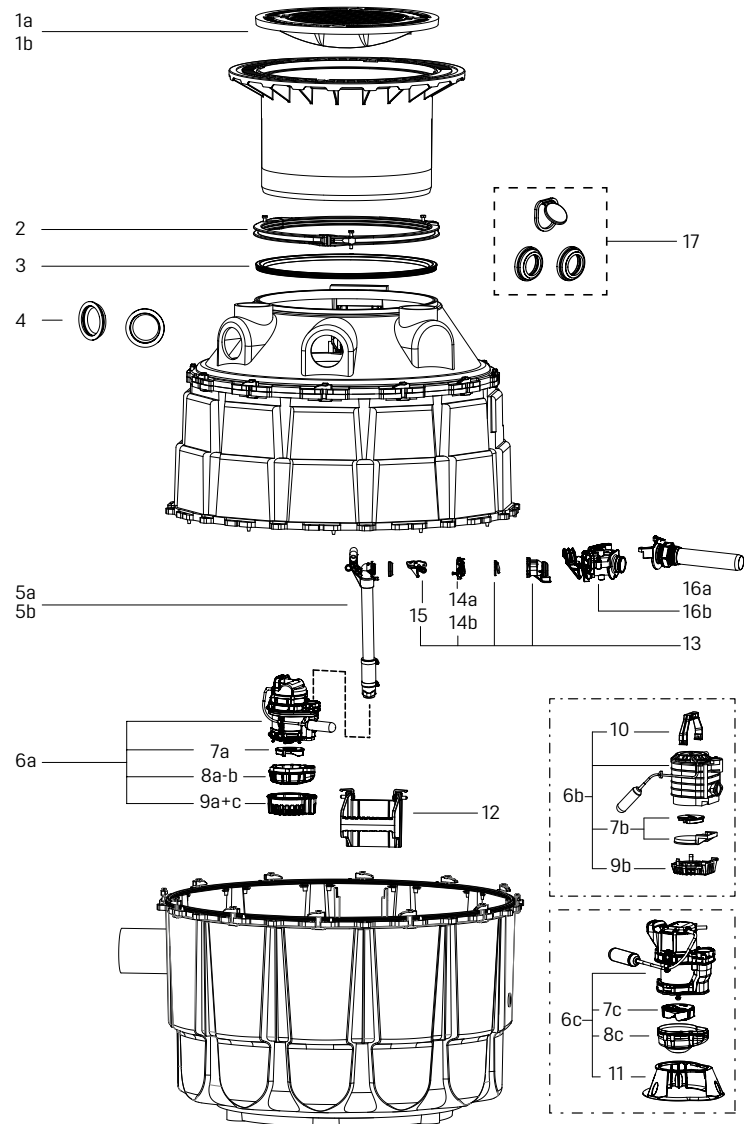
Item	Designation	Art. no.	Item	Designation	Art. no.
1a	Cover, class B, grey cast iron with concrete fill	860 131	8a	Intake cage for KTP 1000, with push-fit fastener	680 106
1b	Cover class D, grey cast iron, <i>Aqualift S Mono</i>	680 059	8b	Intake cage with push-fit fastener, for KTP 500	680 004
2	Riser (up to model year 01/2016)		8c	Intake cage for KTP 1000 for faecal-free wastewater, 10 mm	680 361
2a	Riser length approx. 200 mm	680 112	9	Pump handle for submersible pump KTP 500	680 007
2b	Riser length approx. 640 mm	680 113	10a	Pump stand for pumping stations <i>Aqualift S</i>	680 362
2c	Riser length approx. 1130 mm	680 114	10b	Pump stand GTF 600, free ball passage 30 mm	680 889
	Riser (beginning model year 02/2016)		11	Conduit pipe seal, Ø 110	850 117
2d	Riser length approx. 200 mm	680 449	12	Submersible pressure switch without hose	680 108
2e	Riser length approx. 640 mm	680 450	13	Pressure hose, 6 × 4 mm, 100 natural (sold by the metre)	680 071
2f	Riser length approx. 1130 mm	680 451	14	Splash protection set for optical probe	28 706
3a	Control unit, Comfort, <i>Aqualift Mono</i> , 230 V*	28 731	15	Optical probe, 15 m cable	80 988
3b	Control unit, Comfort, <i>Aqualift Duo</i> , 230 V*	28 746	16	Flap holder with non-return flap	680 457
4	Battery, 9 V block	680 034	17a	Pump connection suitable for pumping stations, up to model year 12/2015	680 065
5a	Replacement pump KTP 1000, without float switch	28 760	17b	Pump connection suitable for pumping stations, beginning 01/2016	680 476
5b	Replacement pump KTP 500	**	18	One-handed closure for backflow preventer	680 018
5c	Replacement pump GTF 1200 without float switch for pumping station	680 595	19	Pump coupling, <i>Aqualift S</i>	
5d	Replacement pump GTF 600	680 881	19a	Mono up to model year 01/2016	680 109
6a	Impeller for KTP 1000, without intake cover, without spiral housing	680 035	19b	Duo up to model year 01/2016	680 110
6b	Impeller KTP 500, with intake cover	28 038	19c	Mono beginning model year 02/2016	680 479
6c	Impeller for GTF 1200, ball passage 30 mm, without spiral housing	680 366	19d	Duo beginning model year 02/2016	680 480
6d	Impeller for GTF 600, free ball passage 30 mm	680 887	20	One-handed closure for threaded connection, black	680 698
7a	Spiral housing for KTP 1000 up to model year 03/2014	680 118	21	Clamp for hydrostatic sensor and submersible pressure sensor	680 729
7b	Spiral housing, KTP 1000, ball passage 10 mm, beginning 04/2014	680 364	22	Seal set for <i>Aqualift S</i> Ø 600/1000, Mono	680 490
7c	Spiral housing for GTF 1200, ball passage 30 mm	680 363	23	Seal set for <i>Aqualift S</i> Ø 600/1000, Duo	680 491
7d	Spiral housing for GTF 600, free ball passage 30 mm	680 888			

*Older control units are being replaced. See overview on page 107

* Will be replaced by new pump GTF 600, art. no. 680 881

Pumping station *Aqualift S* in the chamber system Ø 1000

with float switch, installation in the ground, up to model year 12/2016

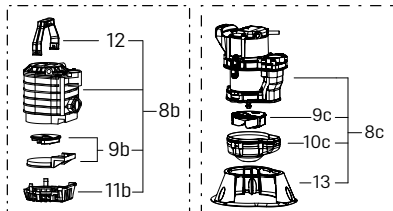
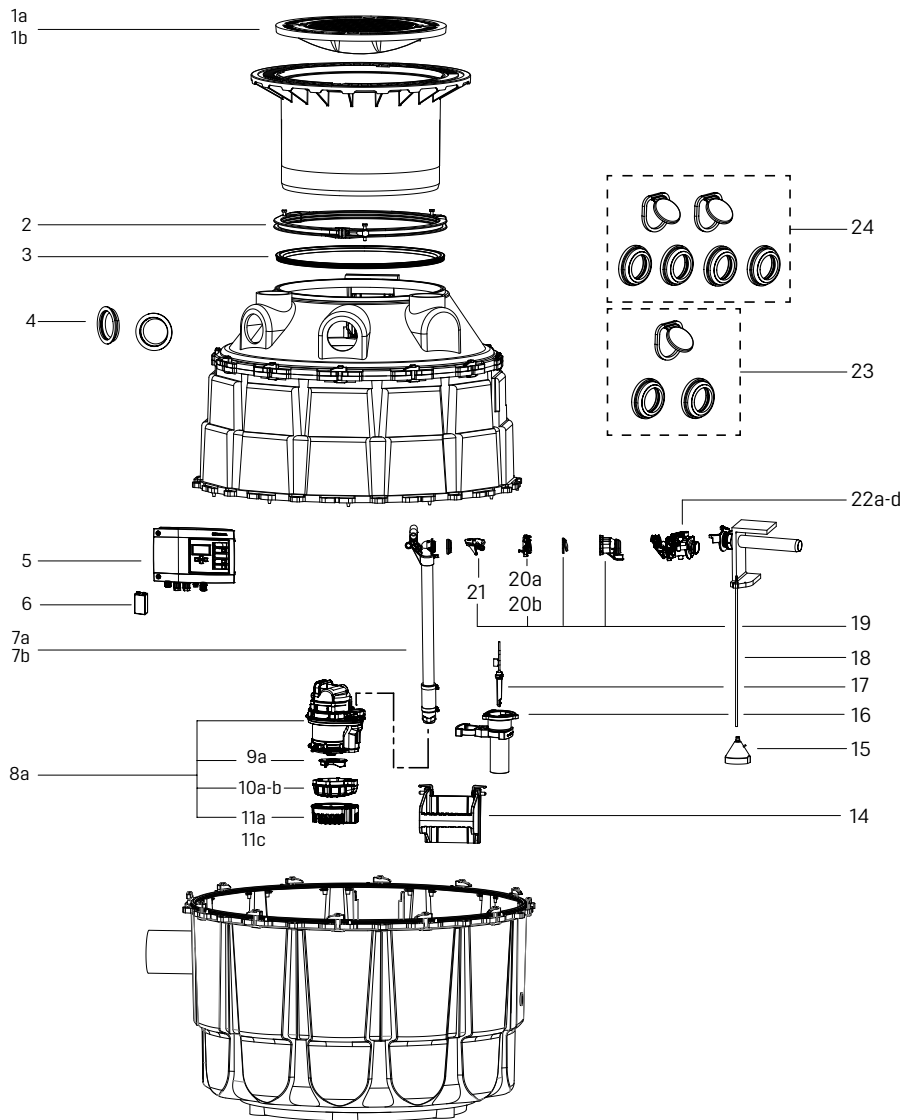


Item	Designation	Art. no.	Item	Designation	Art. no.
1	Cover		8b	for KTP 1000, ball passage 10 mm, beginning model year 04/2014	680 364
1a	class B, grey cast iron with concrete fill	860 131	8c	for GTF 600, free ball passage 30 mm	680 888
1b	class D, grey cast iron, <i>Aqualift S Mono</i>	680 059	9	Intake cage	
2	Clamping ring for upper sections Ø 600 mm	680 276	9a	for KTP 1000, with push-fit fastener	680 106
3	Seal for upper section Ø 600	680 277	9b	for KTP 500, with push-fit fastener	680 004
4	Conduit pipe seal, Ø 110	850 117	9c	for KTP 1000, for faecal-free wastewater, 10 mm	680 361
5	Riser		10	Pump handle for submersible pump KTP 500	680 007
5a	up to model year 01/2016: Riser length 800 - 1250 mm	680 112	11	Pump stand GTF 600, free ball passage 30 mm	680 889
5b	beginning model year 02/2016: Riser length 800 - 1250 mm	680 449	12	Access steps made of polymer, with fastening bolt	860 110
6	Replacement pump		13	Flap holder with non-return flap	680 457
6a	KTP 1000 with float switch	28 860	14	Pump connection suitable for pumping stations	
6b	KTP 500	*	14a	up to model year 12/2015	680 065
6c	GTF 600, with float switch	680 880	14b	beginning model year 01/2016	680 476
7	Impeller		15	One-handed closure for backflow preventer	680 018
7a	for KTP 1000, without intake cover, without spiral housing	680 035	16	Pump coupling <i>Aqualift S Mono</i>	
7b	for KTP 500, with intake cover	28 038	16a	up to model year 01/2016	680 109
7c	for KTP 600, free ball passage 30 mm	680 887	16b	beginning model year 02/2016	680 479
8	Spiral housing		17	Seal set for <i>Aqualift S</i> Ø 600/1000, Mono	680 490
8a	for KTP 1000 up to model year 03/2014	680 118			

* Will be replaced by new pump GTF 600, art. no. 680 880

Pumping station *Aqualift S Mono/Duo*

in the chamber system Ø 1000 with SDS control unit, installation in the ground, up to model year 12/2016

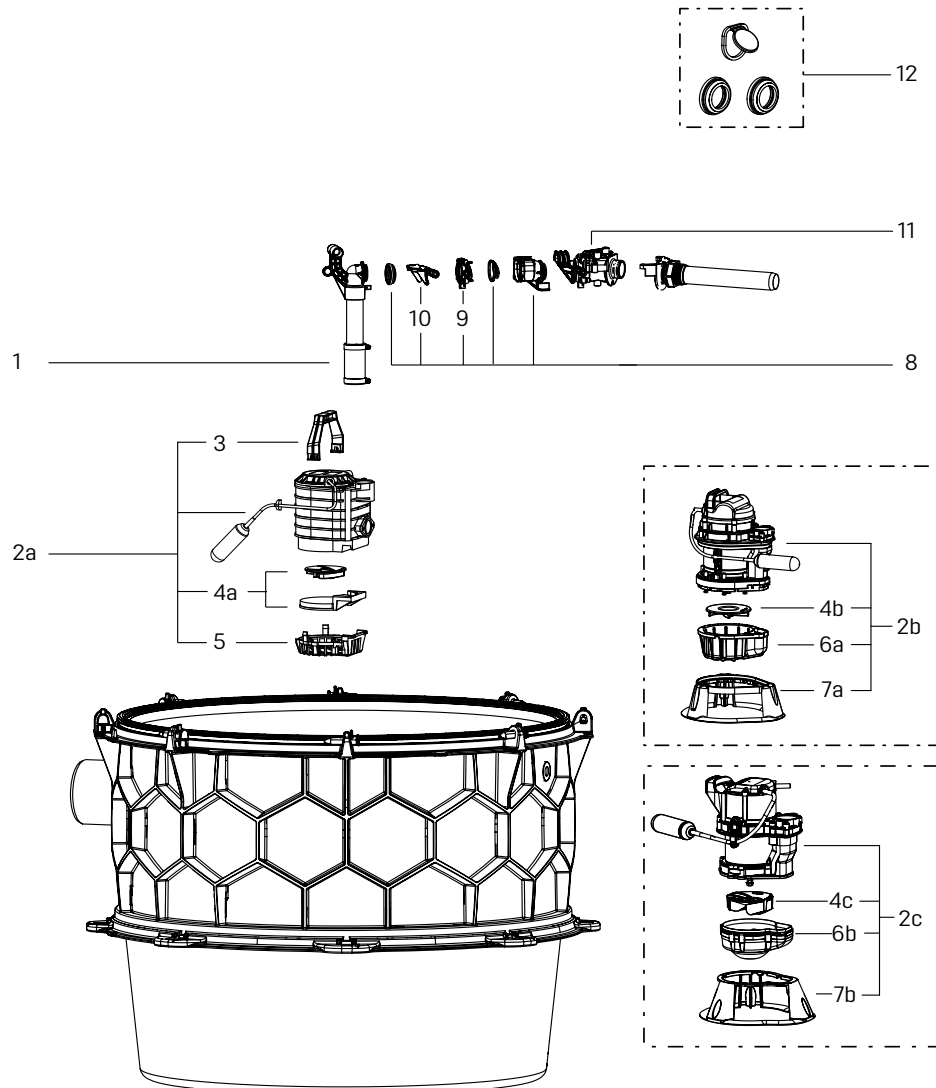


Item	Designation	Art. no.	Item	Designation	Art. no.
1a	Cover, class B, grey cast iron with concrete fill	860 131	11c	KTP 1000 for faecal-free wastewater, 10 mm	680 361
1b	Cover, class D, grey cast iron, <i>Aqualift S Mono</i>	680 059	12	Pump handle for submersible pump KTP 500	680 007
2	Clamping ring for upper sections Ø 600 mm	680 276	13	Pump stand GTF 600, free ball passage 30 mm	680 889
3	Seal for upper section Ø 600	680 277	14	Access steps made of polymer, with fastening bolt	860 110
4	Conduit pipe seal, Ø 110	850 117	15	Submersible pressure switch without hose	680 108
5	Control unit	*	16	Splash protection set for optical probe	28 706
6	Battery, 9 V block	680 034	17	Optical probe with 3 adapters, 5 m cable	80 888
7a	Riser up to model year 01/2016: Riser length 800 - 1250 mm	680 112	18	Pressure hose, 6 × 4 mm, 100 natural (sold by the metre)	680 071
7b	Riser beginning model year 02/2016: Riser length 800 - 1250 mm	680 449	19	Flap holder with non-return flap	680 457
8a	Replacement pump KTP 1000, without float switch	28 760	20a	Pump connection suitable for pumping stations, up to model year 12/2015	680 065
8b	Submersible pump KTP 500	**	20b	Pump connection suitable for pumping stations, beginning 01/2016	680 476
8c	Replacement pump GTF 600	680 881	21	One-handed closure for backflow preventer	680 018
9a	Impeller for KTP 1000, without intake cover, without spiral housing	680 035	22	Pump coupling, <i>Aqualift S</i>	
9b	Impeller KTP 500, with intake cover	28 038	22a	Mono up to model year 01/2016	680 109
9c	Impeller for GTF 600, free ball passage 30 mm	680 887	22b	Duo up to model year 01/2016	680 110
10a	Spiral housing KTP 1000 up to model year 03/2014	680 118	22c	Mono beginning model year 02/2016	680 479
10b	Spiral housing KTP 1000, ball passage 10 mm, beginning 04/2014	680 364	22d	Duo beginning model year 02/2016	680 480
10c	Spiral housing for GTF 600, free ball passage 30 mm	680 888	23	Seal set for <i>Aqualift S</i> Ø 600/1000, Mono	680 490
11a	Intake cage for KTP 1000, with push-fit fastener	680 106	24	Seal set for <i>Aqualift S</i> Ø 600/1000, Duo	680 491
11b	Intake cage with push-fit fastener, for KTP 500	680 004			

*Older control units are being replaced. See overview on page 107

** Will be replaced by new pump GTF 600, art. no. 680 881

Pumping station *Aqualift S XL Mono* in the engineering chamber system with float switch, installation in the ground, beginning model year 01/2017

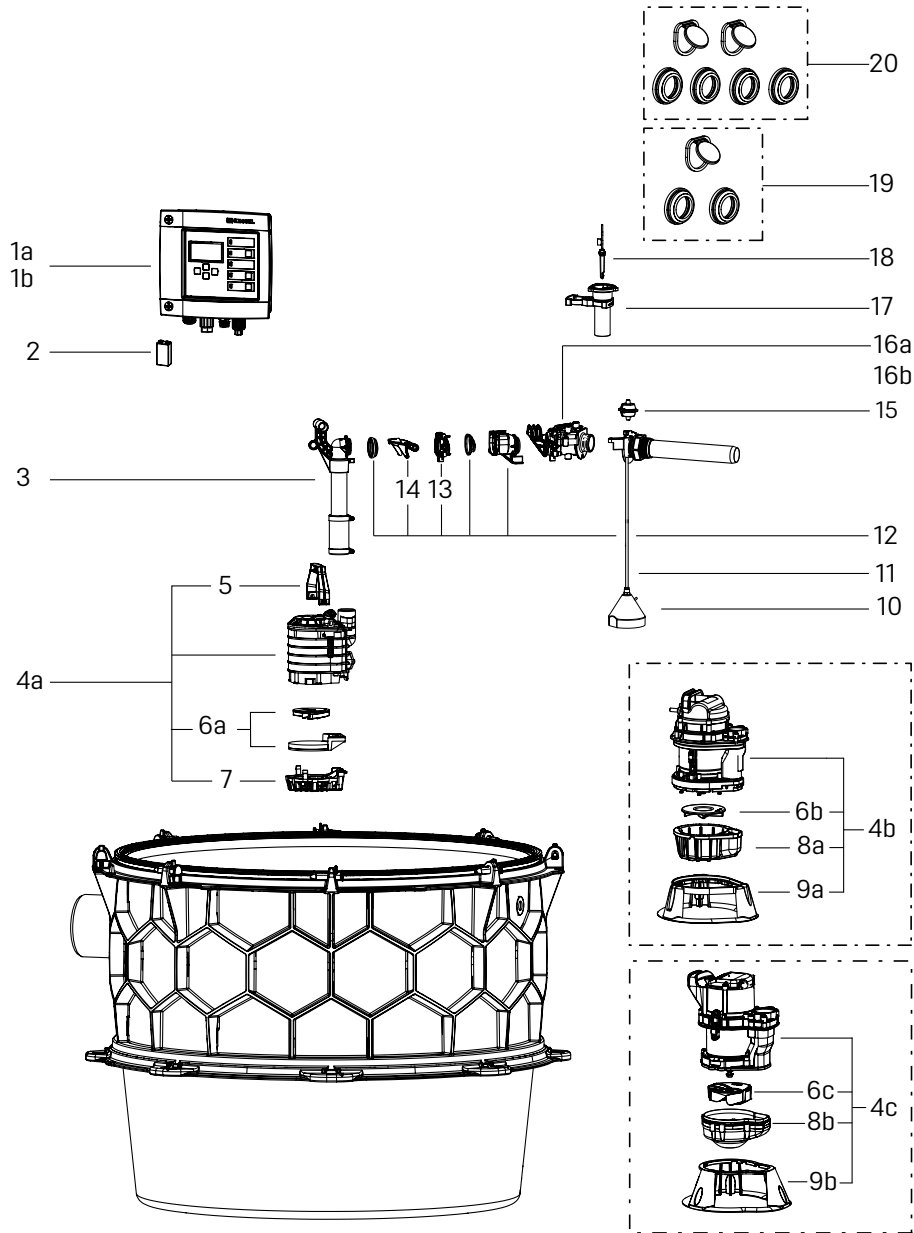
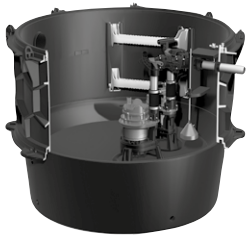


Item	Designation	Art. no.
1	Riser for pumping station, engineering chamber system	680 742
2	Replacement pump	
2a	KTP 500	*
2b	GTF 1200 with float switch for pumping station	680 594
2c	GTF 600, with float switch	680 880
3	Pump handle for submersible pump KTP 500	680 007
4	Impeller	
4a	for KTP 500, with intake cover	28 038
4b	for GTF 1200, ball passage 30 mm, without spiral housing	680 366
4c	for GTF 600, free ball passage 30 mm	680 887

Item	Designation	Art. no.
5	Intake cage with push-fit fastener, for KTP 500	680 004
6	Spiral housing for GTF 1200, ball passage 30 mm	
6a	for GTF 1200, ball passage 30 mm	680 363
6b	for GTF 600, free ball passage 30 mm	680 888
7a	Pump stand for pumping stations <i>Aqualift S</i>	680 362
7b	Pump stand GTF 600, free ball passage 30 mm	680 889
8	Flap holder with non-return flap	680 457
9	Pump connection suitable for pumping stations, beginning 01/2016	680 476
10	One-handed closure for backflow preventer	680 018
11	Threaded connection for <i>Aqualift S Mono</i>	680 479
12	Seal set for <i>Aqualift S</i> Ø 600/1000, Mono	680 490

* Will be replaced by new pump GTF 600, art. no. 680 880

Pumping station *Aqualift S XL Mono/Duo* in the engineering chamber system with SDS control unit, installation in the ground, beginning model year 01/2017



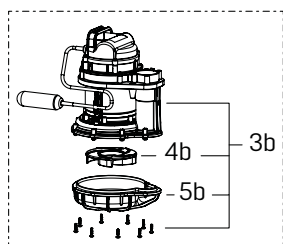
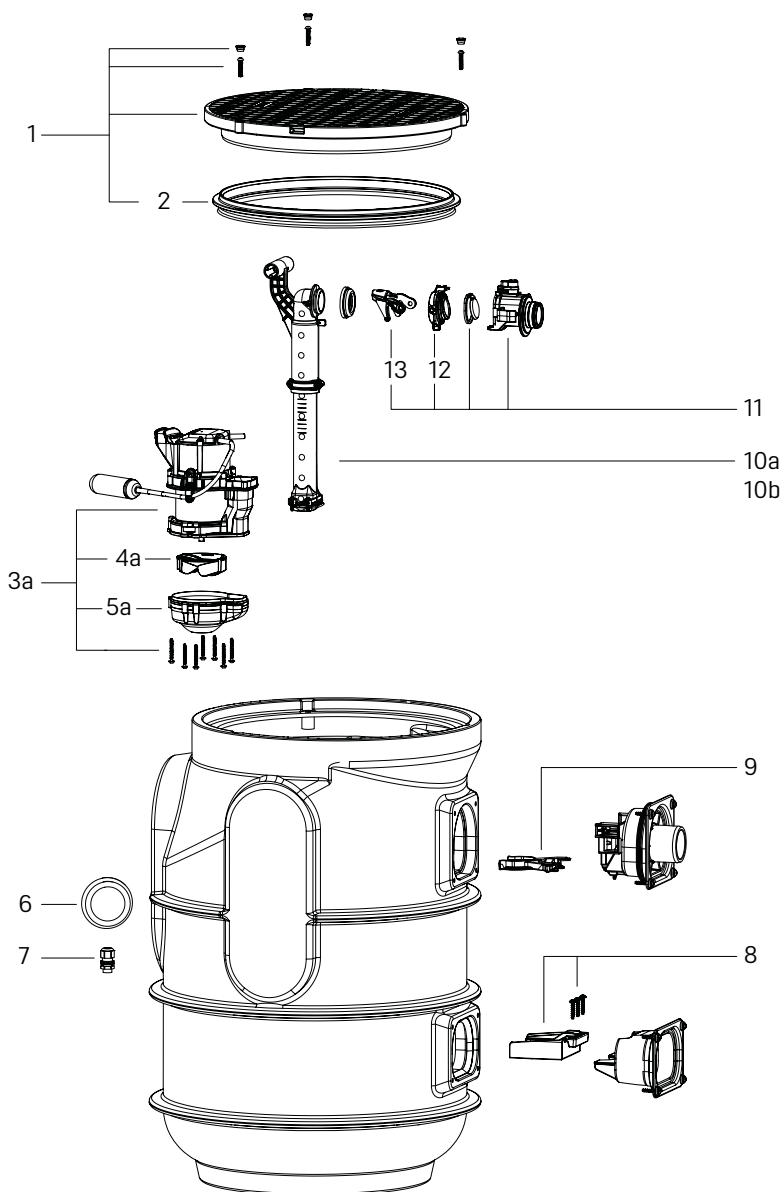
Item	Designation	Art. no.
1	Control unit	
1a	for Comfort <i>Aqualift Mono</i> , 230 V	28 731
1b	for Comfort <i>Aqualift Duo</i> , 230 V	28 746
2	Battery, 9 V block	680 034
3	Riser for pumping station, engineering chamber system	680 742
4	Replacement pump	
4a	KTP 500	*
4b	GTF 1200 without float switch for pumping station	680 595
4c	GTF 600	680 881
5	Pump handle for submersible pump KTP 500	680 007
6	Impeller	
6a	for KTP 500, with intake cover	28 038
6b	for GTF 1200, ball passage 30 mm, without spiral housing	680 366
6c	for GTF 600, free ball passage 30 mm	680 887
7	Intake cage with push-fit fastener, for KTP 500	680 004

Item	Designation	Art. no.
8a	Spiral housing for GTF 1200, ball passage 30 mm	680 363
8b	Spiral housing for GTF 600, free ball passage 30 mm	680 888
9a	Pump stand for pumping stations <i>Aqualift S</i>	680 362
9b	Pump stand GTF 600, free ball passage 30 mm	680 889
10	Submersible pressure switch without hose	680 108
11	Pressure hose, 6 × 4 mm, 100 natural (sold by the metre)	680 071
12	Flap holder with non-return flap	680 457
13	Pump connection suitable for pumping stations, beginning 01/2016	680 476
14	One-handed closure for backflow preventer	680 018
15	Clamp for hydrostatic sensor and submersible pressure sensor	680 729
16a	Threaded connection for <i>Aqualift S Mono</i>	680 479
16b	Threaded connection, <i>Aqualift S Duo</i>	680 480
17	Splash protection set for optical probe	28 706
18	Optical probe with 3 adapters, 5 m cable	80 888
19	Seal set for <i>Aqualift S</i> Ø 600/1000, Mono	680 490
20	Seal set for <i>Aqualift S</i> Ø 600/1000, Duo	680 491

* Will be replaced by new pump GTF 600, art. no. 680 881

Pumping station *Aqualift S Basic Mono*

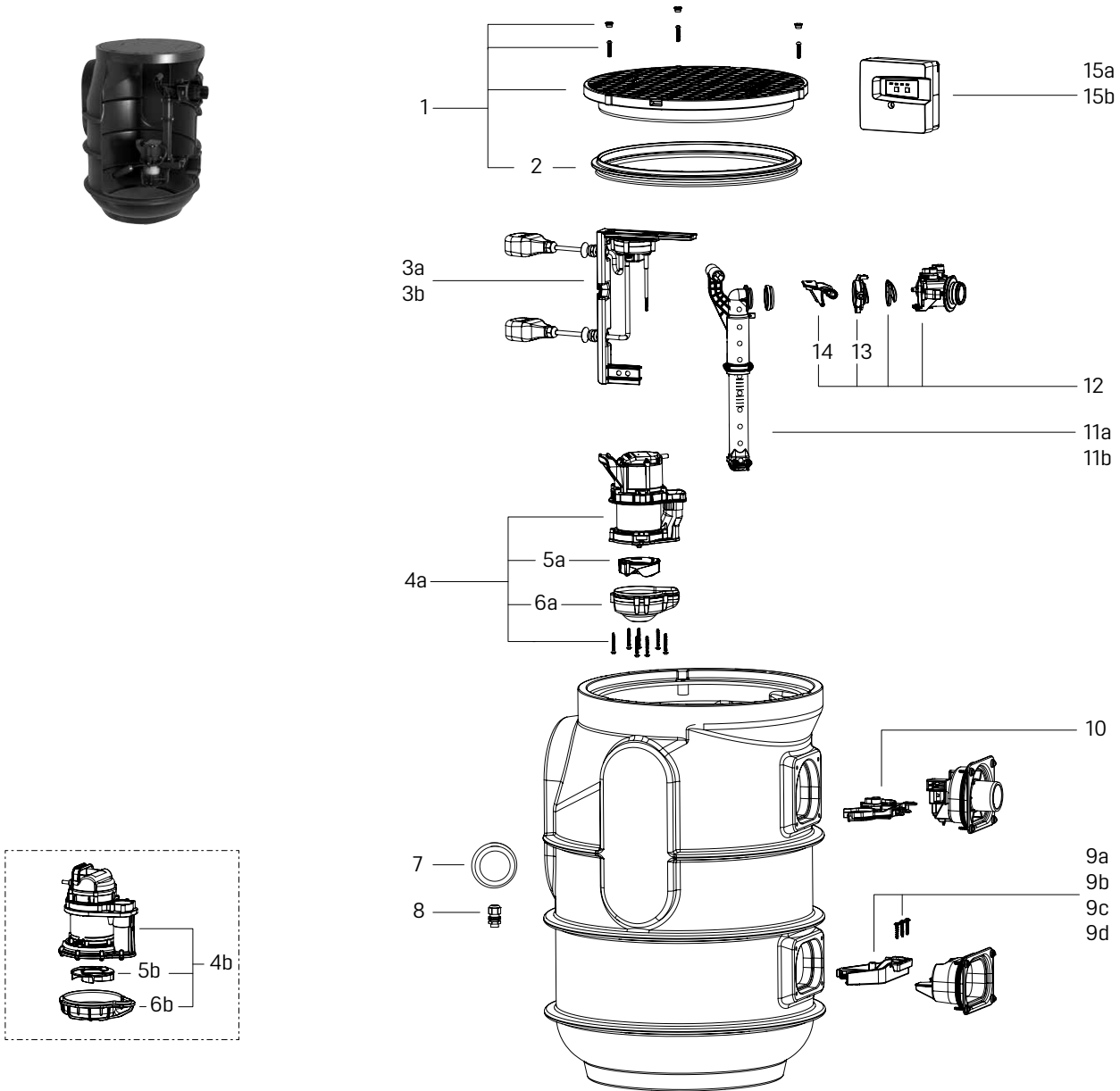
Installation in the ground



Item	Designation	Art. no.	Item	Designation	Art. no.
1	Cover plate round for <i>Aqualift F Basic</i> , with screws and seal	680 801	7	Cable gland with hexagon nut	680 812
2	Profiled lip seal	680 150	8	Pump hanger for pumping station <i>Aqualift S Basic</i>	
3	Replacement pump <i>Aqualift F Basic</i>		8a	GTF 600 Mono	680 967
3a	for GTF 600 with float switch	680 963	8b	GTF 1250 Mono	680 968
3b	for GTF 1250 with float switch	680 965	9	Holder pressure pipe for <i>Aqualift S</i>	680 969
4	Impeller		10	Pressure pipe Ø 32 for Pumping station <i>Aqualift S Basic</i>	
4a	GTF 600 for <i>Aqualift S Basic</i>	680 887	10a	GTF 600	680 961
4b	GTF 1250 for <i>Aqualift S Basic</i>	680 804	10b	GTF 1250	680 962
5	Spiral housing		11	Flap housing Mono, with pressure pipe connection	680 761
5a	GTF 600 for <i>Aqualift S Basic</i>	680 888	12	Pressure pipe connection	680 760
5b	GTF 1250 for <i>Aqualift S Basic</i>	680 998	13	One-handed closure for pump	680 380
6	Conduit pipe seal Ø 110	850 117			

Pumping station *Aqualift S Basic Mono/Duo Tronic*

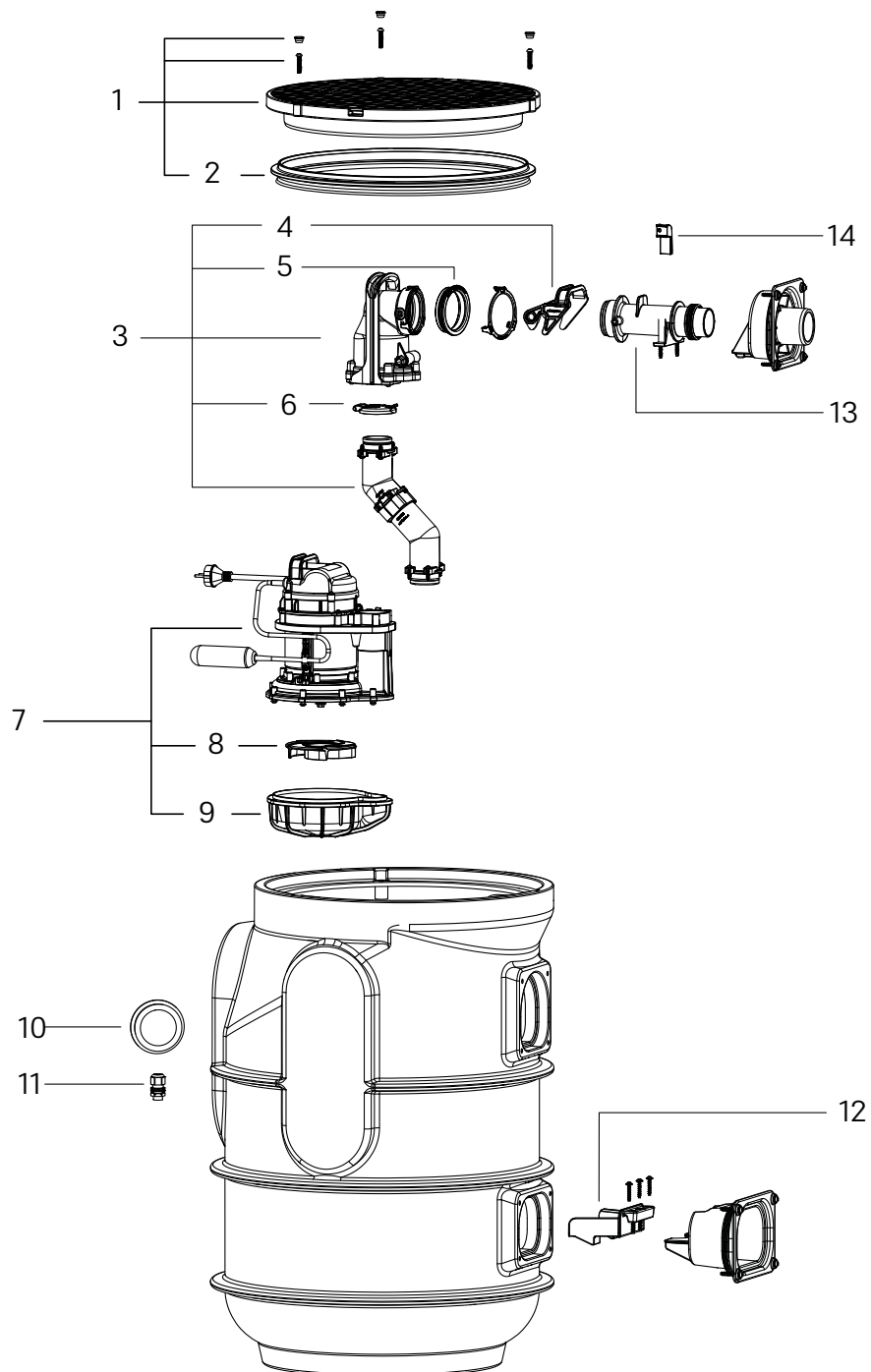
Installation in the ground



Item	Designation	Art. no.	Item	Designation	Art. no.
1	Cover plate round for <i>Aqualift F Basic</i> , with screws and seal	680 801	9	Pump hanger with screws for <i>Aqualift S</i>	
2	Profiled lip seal for upper section	680 150	9a	GTF 600 Mono	680 967
3	Float switch unit for <i>Aqualift S Basic</i>		9b	GTF 1250 Mono	680 968
3a	Mono	680 970	9c	GTF 600 Duo	680 973
3b	Duo	680 971	9d	GTF 1250 Duo	680 974
4	Replacement pump <i>Aqualift F Basic</i>		10	Holder pressure pipe for <i>Aqualift S</i>	680 969
4a	for GTF 600 without float switch	680 964	11	Pressure pipe Ø 32 for Pumping station <i>Aqualift S Basic</i>	
4b	for GTF 1250 without float switch	680 966	11a	GTF 600	680 961
5	Impeller		11b	GTF 1250	680 962
5a	GTF 600 for <i>Aqualift S Basic</i>	680 887	12a	Flap housing Mono, with pressure pipe connection	680 761
5b	GTF 1250 for <i>Aqualift S Basic</i>	680 804	12b	Flap housing Duo, with pressure pipe connection	680 781
6	Spiral housing		13	Pressure pipe connection	680 760
6a	GTF 600 for <i>Aqualift S Basic</i>	680 888	14	One-handed closure for pump	680 380
6b	GTF 1250 for <i>Aqualift S Basic</i>	680 999	15a	Control unit Mono	680 541
7	Conduit pipe seal Ø 110	850 117	15b	Control unit Duo	680 818
8	Cable gland with hexagon nut, M16	680 812			

Pumping station *Aqualift F Basic* with floating switch

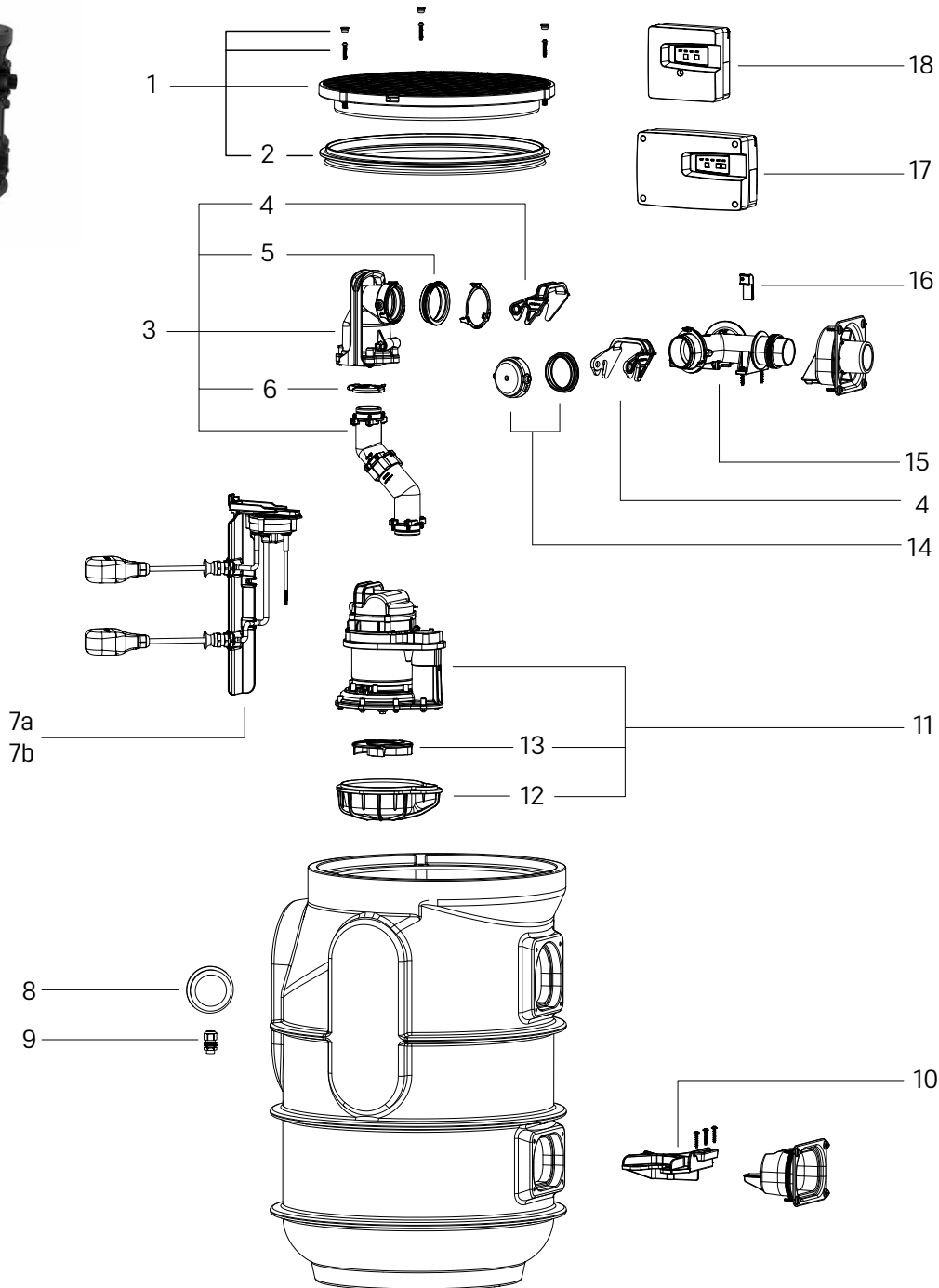
Installation in the ground



Pos.	Designation	Art. no.	Pos.	Designation	Art. no.
1	Cover plate for pumping station <i>Aqualift F Basic</i>	680 801	8	Impeller	680 804
2	Profiled lip seal	680 150	9	Spiral housing	680 805
3	Flap housing with pressure piping for Pumping station <i>Aqualift F Basic</i>	680 802	10	Conduit pipe seal Ø 110	850 117
4	One-handed closure for pump	680 380	11	Cable gland with hexagon nut	680 812
5	Seal Ø 65 for backflow preventer	680 999	12	Pump hanger for pumping station <i>Aqualift F Basic</i>	680 806
6	Backwater flap	680 630	13	Pressure outlet	680 807
7	Replacement pump STF 1300 with float switch	680 803	14	Bracket for alarm probe	680 813

Pumping station *Aqualift F Basic Tronic* with SDS control unit

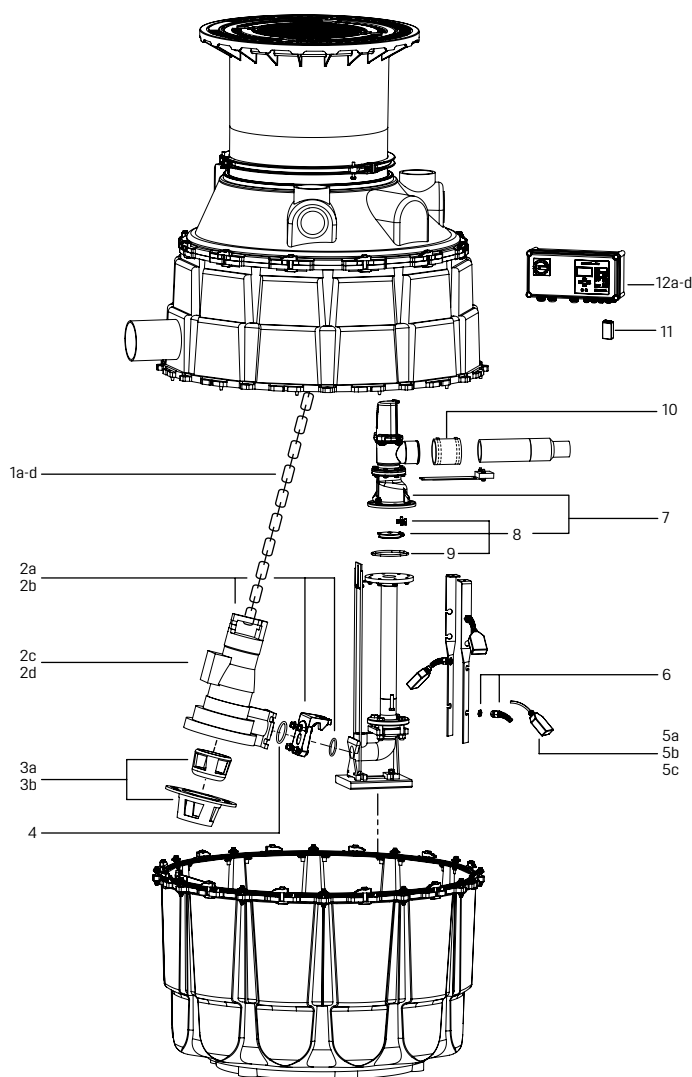
Installation in the ground



Pos.	Designation	Art. no.	Pos.	Designation	Art. no.
1	Cover plate for pumping station <i>Aqualift F Basic</i>	680 801	10	Pump hanger for pumping station <i>Aqualift F Basic</i>	680 821
2	Profiled lip seal	680 150	11	Replacement pump STF 1300	680 820
3	Flap housing with pressure piping for Pumping station <i>Aqualift F Basic</i>	680 802	12	Spiral housing	680 805
4	One-handed closure for pump	680 380	13	Impeller	680 804
5	Seal Ø 65 for backflow preventer	680 999	14	Blind plug for <i>Aqualift F Basic Tronic</i>	680 817
6	Backwater flap	680 630	15	Pressure pipe connection Duo for <i>Aqualift F Basic</i>	680 816
7a	Float switch unit Mono	680 814	16	Bracket for alarm probe	680 813
7b	Float switch unit Duo	680 815	17	Control unit Duo	680 818
8	Conduit pipe seal Ø 110	850 117	18	Control unit Mono	680 541
9	Cable gland with hexagon nut	680 812			

Pumping station *Aqualift F Mono/Duo*

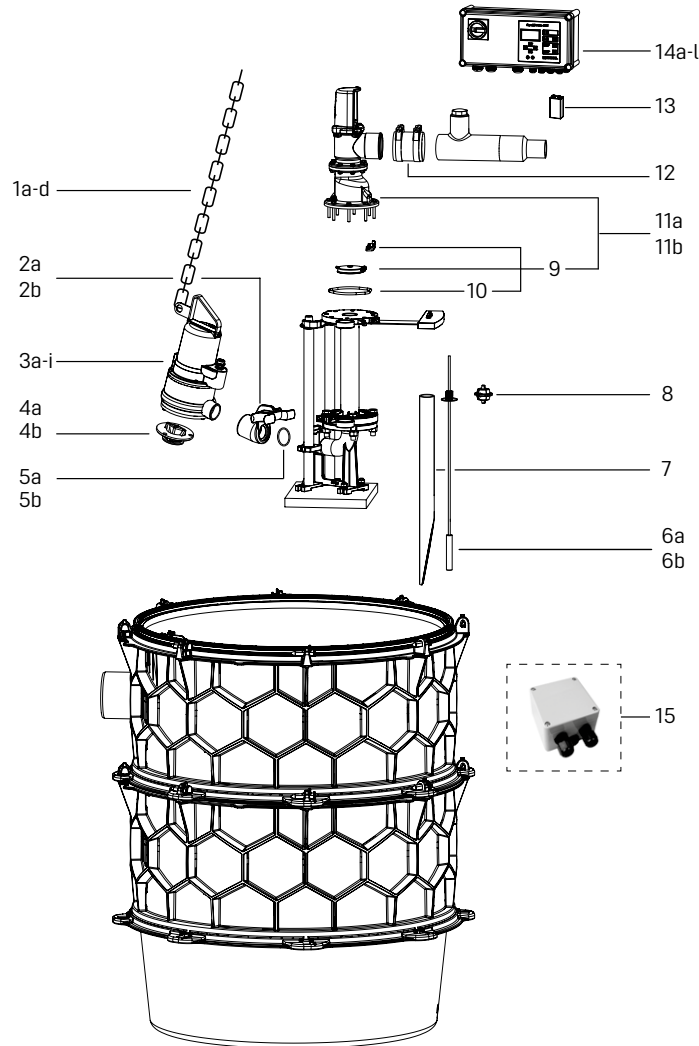
in the chamber system Ø 1000, wet installation, up to model year 03/2017



Item	Designation	Art. no.	Item	Designation	Art. no.
1	Replacement chain for pumping stations		5a	Type EHZ 6.3, 10 m cable, ATEX	680 027
1a	2 m length	680 528	5b	Type EHZ 6.3, 20 m cable, ATEX	680 028
1b	3 m length	680 529	5c	Type EHZ 6.3, 30 m cable, ATEX	680 029
1c	4 m length	680 530	6	Cable accessories, bend protection with lock nut	680 085
1d	5 m length	680 531	7	Flap housing with shut-off valve, non-return flap, Slide-in flap housing and seals. (order 2 × for Duo system)	680 602
2	Replacement pump		8	Flap set with seal Ø 125, flap and flap holder	680 053
2a	TPF 120, 400 V, 1.3 kW and conversion adapter, up to model year 10/2006	680 410	9	Seal Ø 125	680 002
2b	TPF 154, 400 V, 1.9 kW and conversion adapter, up to model year 10/2006	680 411	10	Flexible coupling with 2 clamps	680 783
2c	TPF 1.3, 400 V, 1.3 kW, beginning model year 11/2006	28 380	11	Battery, 9 V block	680 034
2d	TPF 1.9, 400 V, 1.9 kW, beginning model year 11/2006	28 390	12	Control unit*	
3	Macerator set		12a	Comfort Mono 400 V, for TPF 120 and TPF 1.3	28 759
3a	Macerator set for TPF 120/154, up to model year 10/2006	680 083	12b	Comfort Mono 400 V, for TPF 154 and TPF 1.9	28 761
3b	Macerator set for TPF 1.3/1.9, beginning model year 11/2006	680 084	12c	Comfort Duo 400 V, for TPF 120 and TPF 1.3	28 762
4	Flange seal 60 × 6	680 030	12d	Comfort Duo 400 V, for TPF 154 and TPF 1.9	28 763
5	Float switch				

* For control units, see page 106

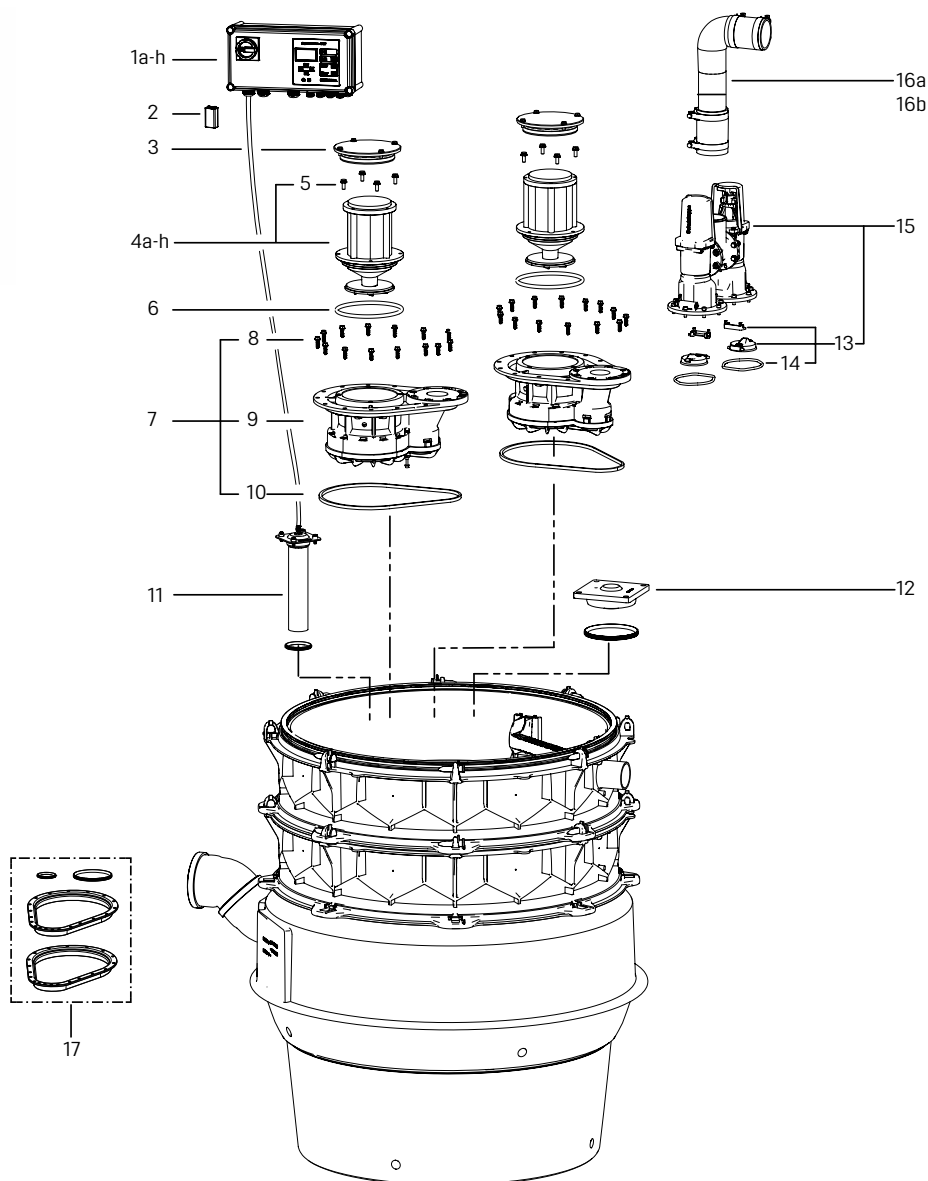
Pumping station *Aqualift S and F XL Mono/Duo* in the engineering chamber system, wet installation, beginning model year 04/2017



Item	Designation	Art. no.	Item	Designation	Art. no.
1a	Replacement chain 2 m	680 528	7	Protective pipe for hydrostatic sensor, slotted	680 603
1b	Replacement chain 3 m	680 529	8	Clamp for hydrostatic sensor and submersible pressure sensor	680 729
1c	Replacement chain 4 m	680 530	9	Flap set with seal Ø 125, flap and flap holder	680 053
1d	Replacement chain 5 m	680 531	10	Seal Ø 125	680 002
2a	Pump clamp 2.0 inch incl. seal	680 598	11a	Flap housing for Mono system with non-return flap	680 602
2b	Pump clamp 2.5 inch incl. seal	680 599	11b	Flap housing for Duo systems with two shut-off valves	680 419
3	Replacement pump		12	Flexible coupling with 2 clamps	680 783
3a	STZ 1300-S1, without float switch for pumping station, 10 m, ATEX (LK)	680 604	13	Battery, 9 V block	680 034
3b	STZ 2500-S1, without float switch for pumping station, 10 m, ATEX (LK)	680 605	14	Control units	
3c	STZ 3700-S1, without float switch for pumping station, 10 m, ATEX (LK)	680 606	14a	400V Comfort Mono 2.5 – 4.0 A (for GTF 1600, GTK 1300)	680 613
3d	GTF 1600-S1, without float switch for pumping station, 10 m, (LK)	680 607	14b	400V Comfort Mono 2.5 – 4.0 A, ATEX (for STZ 1300)	680 614
3e	GTF 2600-S1, without float switch for pumping station, 10 m, (LK)	680 608	14c	400V Comfort Mono 4.0 – 6.3 A (for GTF 2600, GTK 2600)	680 615
3f	GTF 4000-S1, without float switch for pumping station, 10 m, (LK)	680 609	14d	400V Comfort Mono 4.0 – 6.3 A, ATEX (for STZ 2500)	680 616
3g	GTK 1300-S1, without float switch for pumping station, 10 m, (LK)	680 610	14e	400V Comfort Mono 6.3 – 10.0 A (for GTF 4000, GTK 3700)	680 617
3h	GTK 2600-S1, without float switch for pumping station, 10 m, (LK)	680 611	14f	400V Comfort Mono 6.3 – 10.0 A, ATEX (for STZ 3700)	680 618
3i	GTK 3700-S1, without float switch for pumping station, 10 m, (LK)	680 612	14g	400V Comfort Duo 2.5 – 4.0 A (for GTF 1600, GTK 1300)	680 619
4a	Macerator set for STZ 1300 and 2500	680 717	14h	400V Comfort Duo 2.5 – 4.0 A, ATEX (for STZ 1300)	680 620
4b	Macerator set for STZ 3700	680 718	14i	400V Comfort Duo 4.0 – 6.3 A (for GTF 2600, GTK 2600)	680 621
5a	Seal for pump clamp 2.0 inch	680 596	14j	400V Comfort Duo 4.0 – 6.3 A, ATEX (for STZ 2500)	680 622
5b	Seal for pump clamp 2.5 inch	680 597	14k	400V Comfort Duo 6.3 – 10.0 A (for GTF 4000, GTK 3700)	680 623
6a	Hydrostatic sensor with probe clamp	680 600	14l	400V Comfort Duo 6.3 – 10.0 A, ATEX (for STZ 3700)	680 624
6b	ATEX Hydrostatic sensor with probe clamp	680 601	15	Junction box for cable extension for hydrostatic sensor	28 799

Pumping station *Aqualift F XL Mono/Duo*

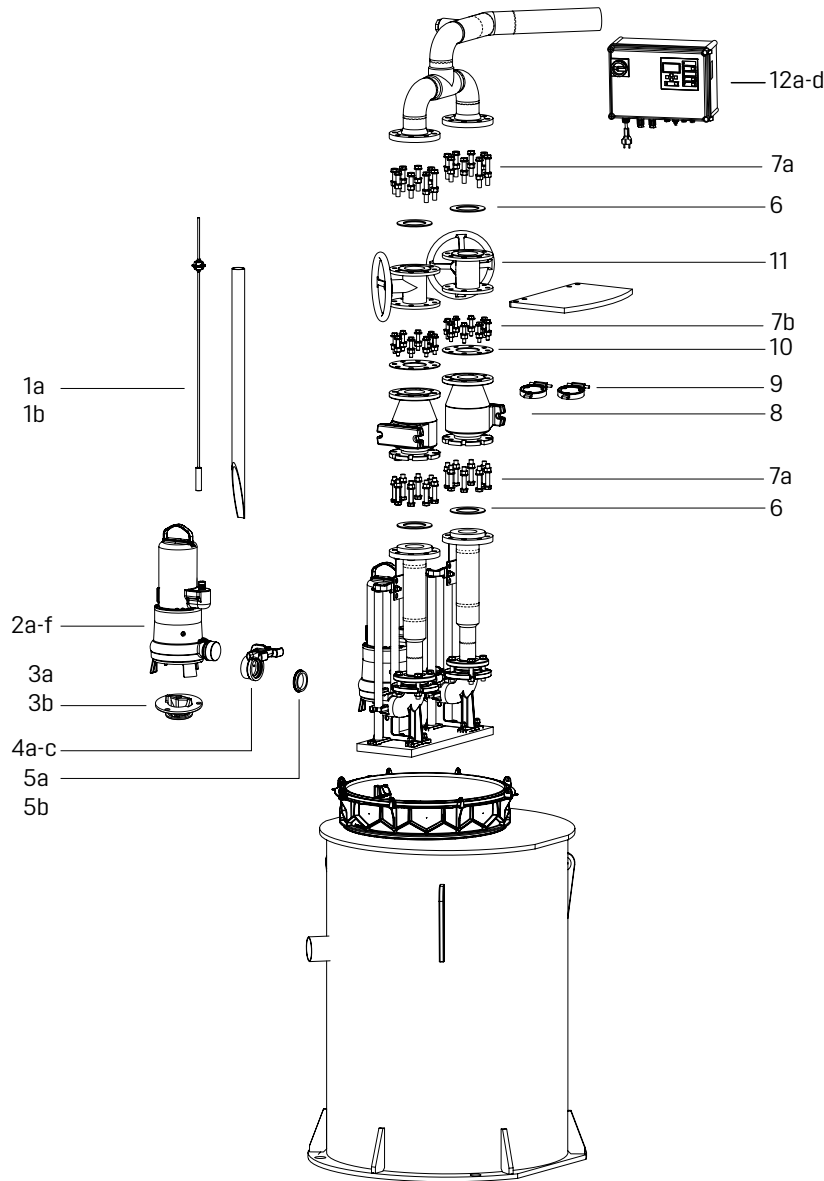
in the engineering system base, Installation in the ground



Item	Designation	Art. no.	Item	Designation	Art. no.
1	Control unit		4g	SPF 4500, S3, 400 V, 10 m cable	680 533
1a	Comfort <i>Aqualift Mono</i> , 230 V	28 731	4h	SPF 4500 S1, 400 V, 10 m cable	680 534
1b	Comfort <i>Aqualift Duo</i> , 230 V	28 746	5	Screw set for pump	28 609
1c	Comfort <i>Aqualift Mono</i> , 400 V, 2.5 - 4.0 A, for SPF 1500	28 755	6	Flange seal for SPF 1400 - 4500	680 052
1d	Comfort <i>Aqualift Mono</i> , 400 V, 4.0 - 6.3 A, for SPF 3000	28 756	7	Replacement pump flange set, <i>Aqualift F</i>	28 051
1e	Comfort <i>Aqualift Duo</i> , 400 V, 2 × 2.5 - 4.0 A, for SPF 1500	28 757	8	Screw set, galvanised (14 ea.)	680 047
1f	Comfort <i>Aqualift Duo</i> , 400 V, 2 × 4.0 - 6.3 A, for SPF 3000	28 758	9	Pump flange for SPF 1400 - SPF 4500	680 050
1g	Comfort <i>Aqualift Mono</i> , 400 V, 6.3 - 10.0 A, for SPF 4500 and 5500	28 781	10	Pump flange seal <i>Aqualift F</i>	680 045
1h	Comfort <i>Aqualift Duo</i> , 400 V, 2 × 6.3 - 10.0 A, for SPF 4500 and 5500	28 783	11	Immersion pipe for XL engineering system base, 10 m hose	680 388
2	Battery, 9 V block	680 034	12	Cleaning cover, screwed, Ø 160	680 421
3	Cover for pump flange, Ø 220 mm, with O-ring	680 460	13	Flap set with seal Ø 125, flap and flap holder	680 053
4	Motor with impeller		14	Seal Ø 125	680 002
4a	SPF 1400 S3, 230 V, with capacitor, 10 m cable	680 218	15	Flap housing for Duo systems with two shut-off valves	680 419
4b	SPF 1400 S1, 230 V, with capacitor, with 10 m cable	680 219	16	Pressure pipes	
4c	SPF 1500 S3, 400 V, 10 m cable	680 098	16a	Ø 90, Length 387 mm	680 423
4d	SPF 1500 S1, 400 V, 10 m cable	680 445	16b	Ø 90, Length 426 mm	680 446
4e	SPF 3000 S3, 400 V, 10 m cable	680 221	17	Seal set for <i>Aqualift F</i> pumping station	680 422
4f	SPF 3000 S1, 400 V, 10 m cable	680 532			

Pumping station *Aqualift S* and *F XL*

in the twin-walled reinforced pipe chamber, wet installation

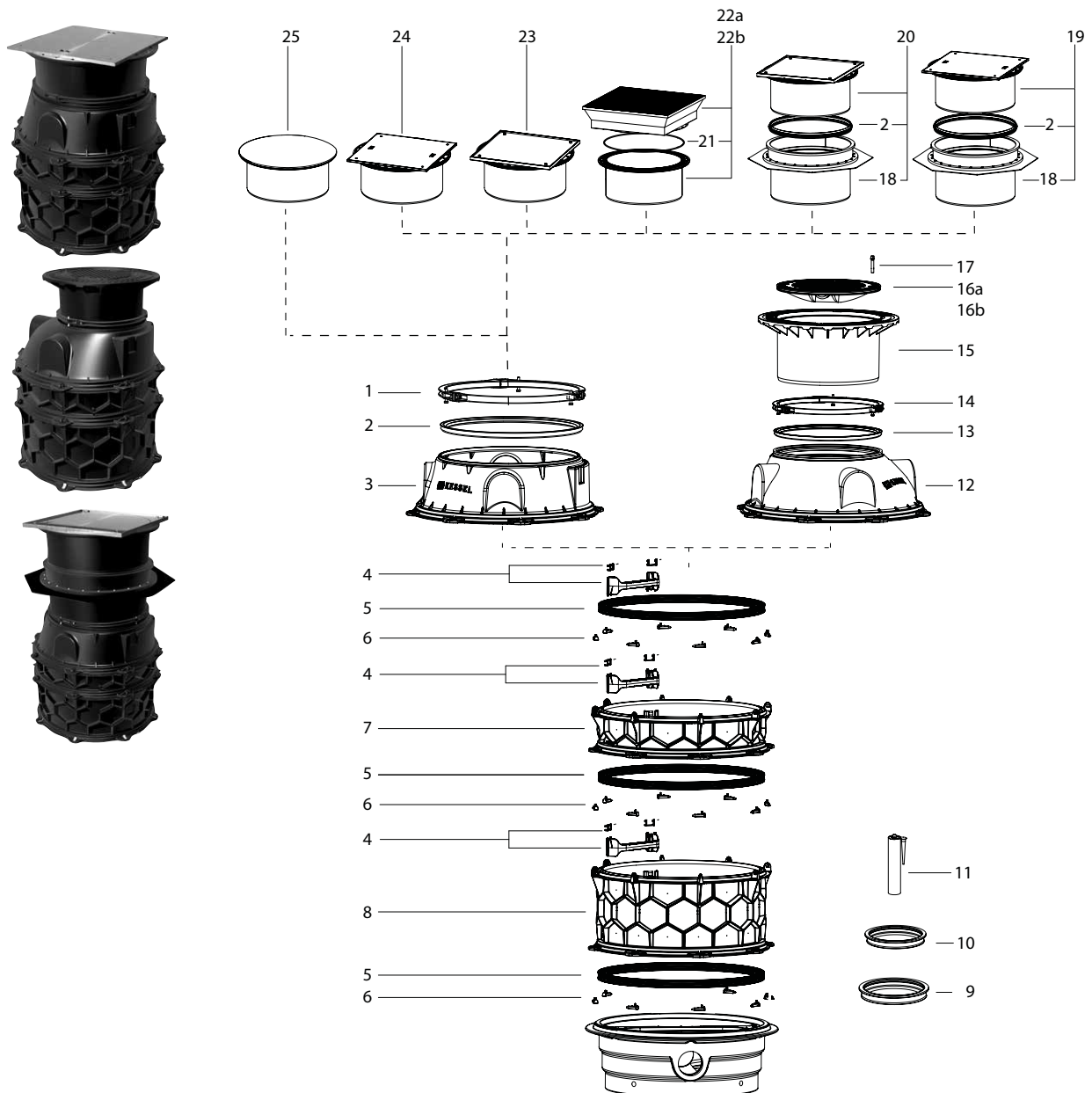


Item	Designation	Art. no.
1	Hydrostatic sensor	
1a	with probe clamp	680 600
1b	with ATEX probe clamp	680 601
2	Replacement pump	
2a	STZ 4400 S1, without float switch, 10 m, ATEX (LK)	680 703
2b	STZ 5200 S1, without float switch, 10 m, ATEX (LK)	680 704
2c	STZ 7500 S1, without float switch, 10 m, ATEX (LK)	680 705
2d	STZ 11000 S1, without float switch, 10 m, ATEX (LK)	680 706
2e	GTK 5200 S1, without float switch, 10 m, (LK)	680 707
2f	GTK 2600 S1, without float switch, 10 m, (LK)	680 708
3a	Macerator set for STZ 4400 / 5200	680 719
3b	Macerator set for STZ 7500 / 11000	680 898
4	Pump clamp	
4a	2.0 inch incl. seal	680 598
4b	2.5 inch incl. seal	680 599
4c	KK50-50 incl. seal	680 709
5	Seal for pump clamp	

Item	Designation	Art. no.
5a	2.0 inch	680 596
5b	2.5 inch	680 597
6	Seal for flange, Ø 90 mm, SDR 11	680 710
7a	Screw set M16×90	680 784
7b	Screw set M16×70	680 785
8	Backflow preventer, Ø 80, grey iron	28 021
9	Non-return flap made of polymer, Ø 80	28 074
10	Flat seal Ø 80	28 043
11	Shut-off valve Ø 80, grey cast iron, with handwheel	28 041
12	Control unit	
12a	Comfort Plus 400 V, 4.7 kW, ATEX	680 637
12b	Comfort Plus SD, 7 kW, ATEX	680 638
12c	Comfort Plus SD, 11 kW, ATEX	680 639
12d	Comfort Plus 400 V, 4.7 kW	680 640

Engineering chamber system

Installation in the ground

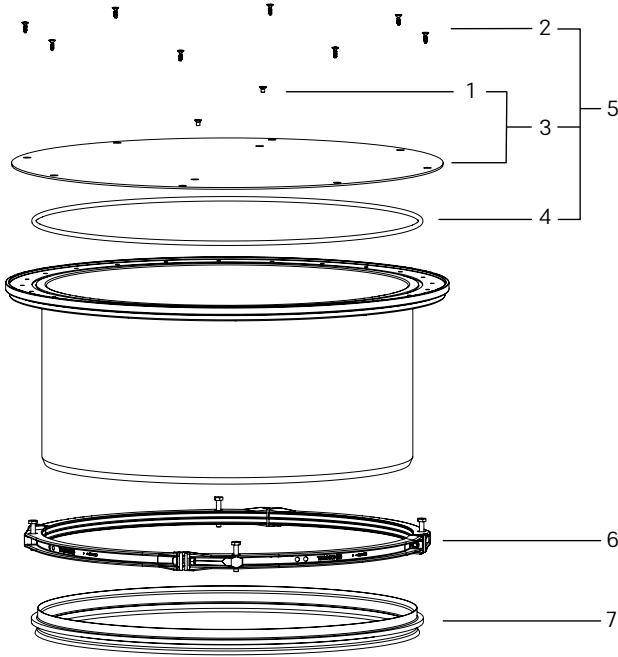


Item	Designation	Art. no.	Item	Designation	Art. no.
1	Clamping ring for upper sections, Ø 800 mm	680 568	16	Cover plate	
2	Seal for chamber module Ø 1000, Ø 800 mm	680 375	16a	class B, made of grey cast iron	860 118
3	Chamber taper section Ø 800 chamber module access	680 430	16b	class D, made of grey cast iron, locked	860 136
4	Hook-in access step for chamber module with protection	680 376	17	Screw M10×35 (1 St.)	860 900
5	Seal for intermediate section	680 125	18	Waterproof extension with sealing mat, for chamber module	680 378
6	Connection bolt set (10 ea.)	680 373	19	Upper section with cover plate Ø 800 with waterproof flange, cl. A/L 15 *	874 0178
7	Intermediate section 250 mm with access steps incl. protection	680 370	20	Upper section with cover plate Ø 800 tileable with waterproof flange, class K3 *	874 0176
8	Intermediate section 500 mm with access steps incl. protection	680 371	21	Seal for upper section	680 836
9	Conduit pipe seal, Ø 110	850 117	22	Upper section with cover plate, square, Ø 800	
10	Conduit pipe seal, Ø 75	850 116	22a	for class B	874 0179
11	Glue for seal (Item 21)	680 940	22b	for class D	874 0180
12	Chamber taper section Ø 600 chamber module access	680 431	23	Upper section with cover plate Ø 800 tileable, class K 3 *	874 0175
13	Seal for chamber module, Ø 600 mm	680 374	24	Upper section with cover plate Ø 800, class A/L 15*	874 0177
14	Clamping ring for upper sections Ø 600 mm	680 276	25	Upper section with cover plate Ø 800, round, class K3*	874 0181
15	Upper section, Ø 600 mm	680 569			

* For spare parts for upper sections, see following pages

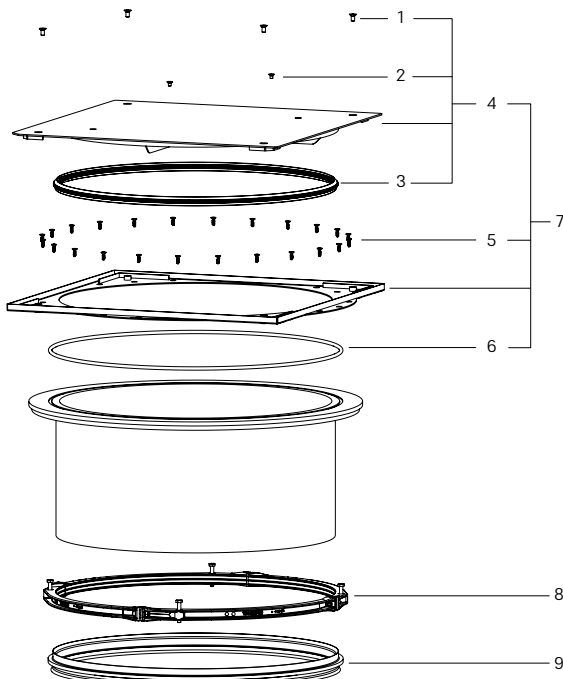
Upper sections for engineering chamber system

Upper section Ø 800, round,
Art. no. 874 01 81



Item	Designation	Art. no.
1	Set of 2 countersink screws M8 × 12, A4	680 661
2	Set of 8 screws, for upper section, K80 × 22, A2	680 664
3	Cover plate, round, K 3, incl. 2 screws	680 660
4	Seal for upper section, Ø 870 mm	680 655
5	Cover plate, round, K 3, incl. 10 screws, seal	680 659
6	Clamping ring for upper sections, Ø 800 mm	680 568
7	Seal for chamber module Ø 1000, with access opening Ø 800 mm	680 375

Upper section Ø 800, non-tileable,
Art. no. 874 01 77

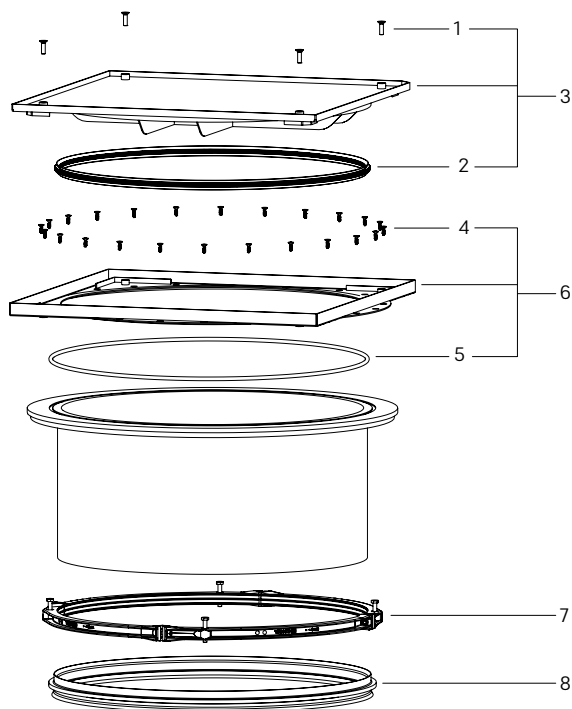


Item	Designation	Art. no.
1	Set of 4 countersink screws M10 × 20, A4	680 663
2	Set of 2 countersink screws M8 × 12, A4	680 661
3	Seal for cover plate Ø 840 mm	680 653
4	Cover plate L 15, incl. 6 screws, seal	680 662
5	Set of 24 screws for upper section, K80 × 22, A2	680 654
6	Seal for upper section, Ø 870 mm	680 655
7	Cover plate L 15, incl. 30 screws, seal	680 658
8	Clamping ring for upper sections, Ø 800 mm	680 568
9	Seal for chamber module Ø 1000, with access opening Ø 800 mm	680 375

Upper sections for engineering chamber system

Upper section Ø 800, tileable,

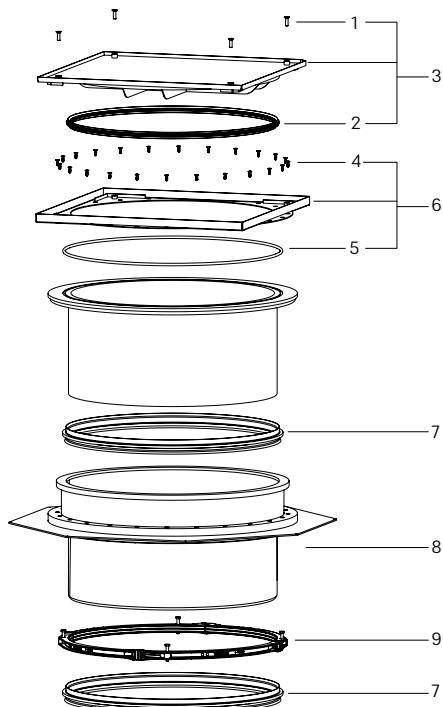
Art. no. 874 0175



Item	Designation	Art. no.
1	Set of 4 countersink screws M10 × 35, A4	680 593
2	Seal for cover plate Ø 840 mm	680 653
3	Cover plate K 3, incl. 4 screws, seal	680 657
4	Set of 24 screws for upper section, K80 × 22, A2	680 654
5	Seal for upper section, Ø 870 mm	680 655
6	Cover plate frame, K 3, 24 screws, seal	680 656
7	Clamping ring for upper sections, Ø 800 mm	680 568
8	Seal for chamber module Ø 1000, with access opening Ø 800 mm	680 375

Upper section Ø 800, tileable with waterproof flange,

Art. no. 874 0176

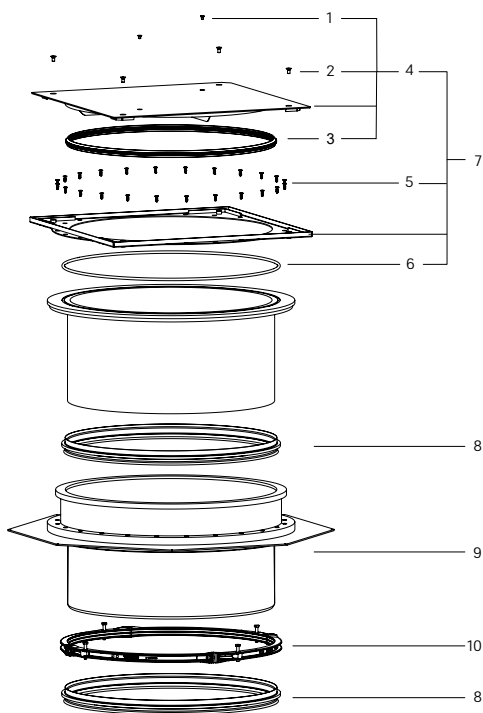


Item	Designation	Art. no.
1	Set of 4 countersink screws M10 × 35, A4	680 593
2	Seal for cover plate Ø 840 mm	680 653
3	Cover plate K 3, incl. 4 screws, seal	680 657
4	Set of 24 screws for upper section, K80 × 22, A2	680 654
5	Seal for upper section, Ø 870 mm	680 655
6	Cover plate frame, K 3, 24 screws, seal	680 656
7	Seal for chamber module Ø 1000, with access opening Ø 800 mm	680 375
8	Waterproof extension with sealing mat, for chamber module	680 378
9	Clamping ring for upper sections, Ø 800 mm	680 568

Upper sections for engineering chamber system

Upper section Ø 800, non-tileable with waterproof flange

Art. no. 874 01 78



Item	Designation	Art. no.
1	Set of 4 countersink screws M10 × 20, A4	680 663
2	Set of 2 countersink screws M8 × 12, A4	680 661
3	Seal for cover plate Ø 840 mm	680 653
4	Cover plate L 15, incl. 6 screws, seal	680 662
5	Set of 24 screws for upper section, K80 × 22, A2	680 654
6	Seal for upper section, Ø 870 mm	680 655
7	Cover plate L 15, incl. 30 screws, seal	680 658
8	Seal for chamber module Ø 1000, with access opening Ø 800 mm	680 375
9	Waterproof extension with sealing mat, for chamber module	680 378
10	Clamping ring for upper sections, Ø 800 mm	680 568

Overview of 400 V control units

Some old control units are no longer applicable due to changeover to newer and more efficient control units. In the following list you can see which control units replace the previous ones:

Old



New

Lifting station *Aqualift F Mono*, installation above ground from p. 81



Art. no. 206-048 (1.1 kW)

is replaced by

Art. no. 28 755 (1.1 kW)

Art. no. 206-116 (2.2 kW)

is replaced by

Art. no. 28 756 (2.2 kW)



Lifting station *Aqualift F Duo*, Installation above ground from p. 83



Art. no. 206-049 (1.1 kW)

is replaced by

Art. no. 28 757 (1.1 kW)

Art. no. 206-117 (2.2 kW)

is replaced by

Art. no. 28 758 (2.2 kW)



Pumping station *Aqualift F Mono* in the chamber system Ø 1000, from p. 93



Art. no. 328-104 (TPF 120)

is replaced by

Art. no. 28 759 (TPF 1.3)

Art. no. 328-105 (TPF 154)

is replaced by

Art. no. 28 761 (TPF 1.9)



Pumping station *Aqualift F Duo* in the chamber system Ø 1000, from p. 93



Art. no. 328-106 (TPF 120)

is replaced by

Art. no. 28 762 (TPF 1.3)

Art. no. 328-107 (TPF 154)

is replaced by

Art. no. 28 763 (TPF 1.9)



Overview of 230 V control units

Some old control units are no longer applicable due to conversion to newer and more efficient control units. In the following list you can see which control units replace the previous ones:

Old



New

Wastewater station *Aqualift F Tronic Mono/Duo* (up to model year 03/2012),
installation in the floor slab from p. 76



Art. no. 243-298 (Mono)

Art. no. 243-299 (Duo)

Lifting station *Aqualift S Tronic Mono/Duo*, installation in the floor slab from p. 69/70



Art. no. 243-007 (Mono)

Art. no. 20 400 (Duo)

Lifting station *Aqualift S Duo*, installation above ground from p. 64



Art. no. 20 400 (Duo, for probe circuit)

Art. no. 20 400 (Duo, for pressure monitor)

Art. no. 243-299 (Duo, for pressure sensor)

Pumping station *Aqualift S Mono/Duo*, installation in the chamber system from p. 88/89



Art. no. 243-298 (Mono)

Art. no. 243-299 (Duo)


Pumping station *Aqualift S Mono/Duo*, installation in the chamber system from p. 85/87



Art. no. 28 730 (Mono)


Art. no. 28 745 (Duo)

Replaces old Mono control units:



Art. no. 28 731

Replaces old Duo control units:



Art. no. 28 746

Connector set

for connection to pump/probe cable for connecting the coded connector of 28 731 / 28 746

For Mono systems

Art. no. 80 893

For Duo systems

Art. no. 28 777



Battery cable

for 9 V Block

Art. no. 680 720

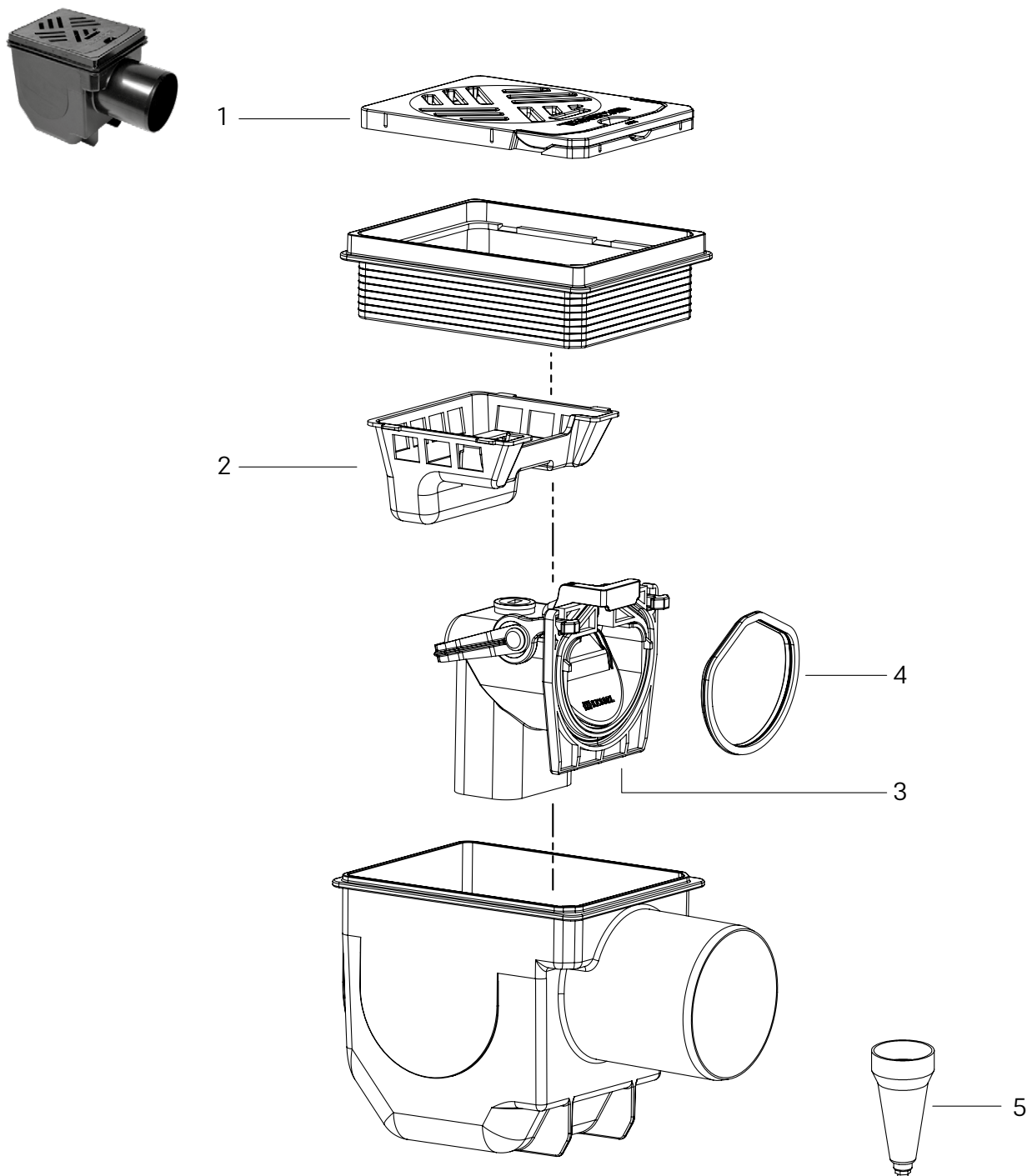


4. Drains

Basement drain <i>Drehfix</i>	110
Basement drain <i>The Universal</i>	112
Light liquid trap	113
Insert gratings and accessories for bathroom drains	115
Insert gratings and accessories for basement drains and <i>Ferrofix</i> stainless steel drains	116
Inserts, covers and accessories for shower channels	117
Inserts, covers and accessories for <i>Scada</i> wall drain	121
Covers, insert gratings and accessories for yard and parking deck drains	121
Insert gratings and accessories for patio, gutter and roof drains	122
Odour traps	123

Basement drain *Drehfix*

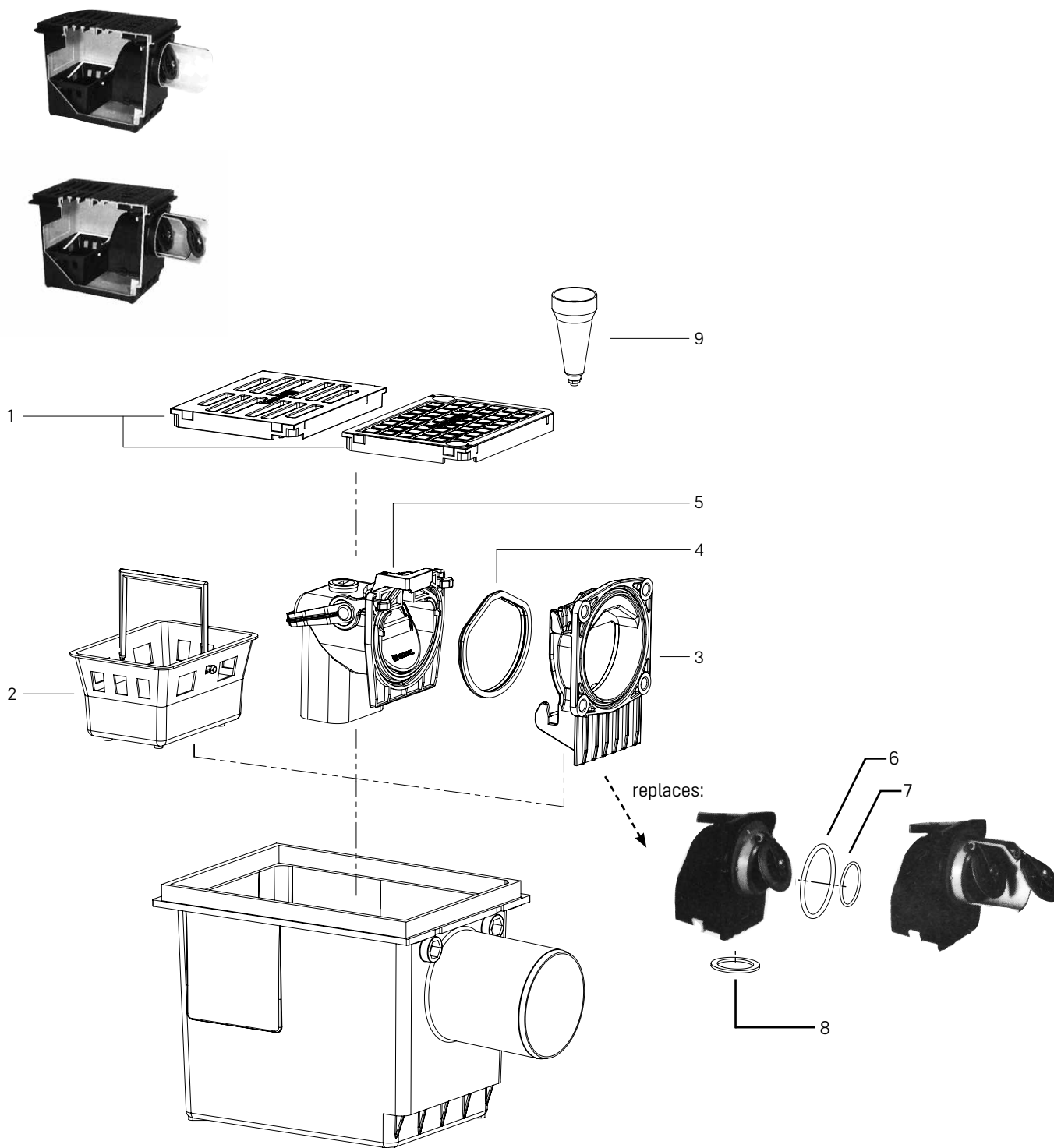
Installation in the floor slab, beginning model year 01/2002



Item	Designation	Art. no.	Item	Designation	Art. no.
1	Slotted grating 190 × 150 mm, made of polymer, black	27 205	4	Lip seal Ø 117 mm	680 280
2	Sludge bucket for <i>Drehfix</i> basement drain, beginning model year 01/2002	27 308	5	Test funnel with seal	70 214
3	Backwater valve module for basement drains with two flaps	27 603			

Basement drain *Drehfix*

Installation in the floor slab, up to model year 12/2001

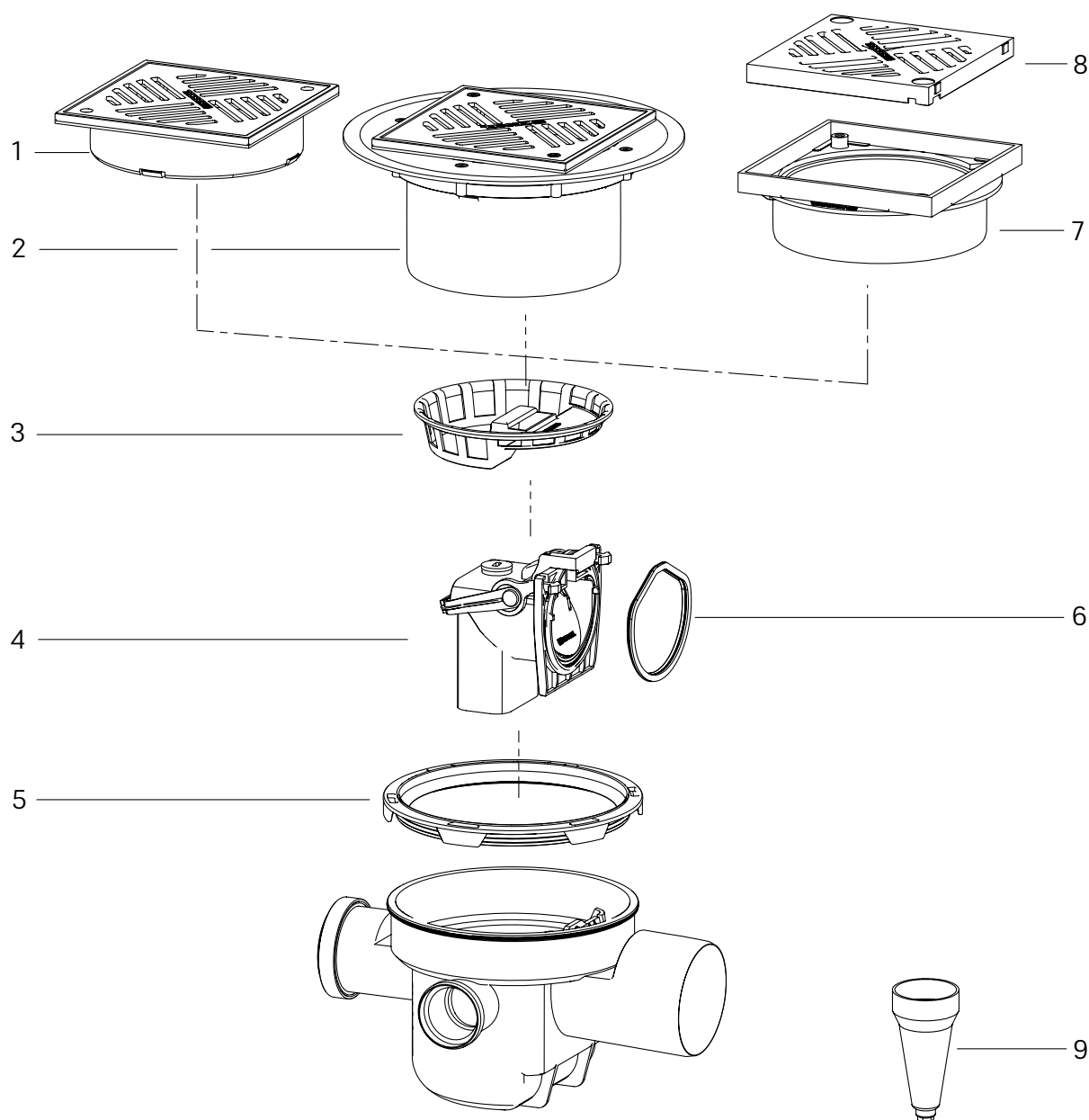


Item	Designation	Art. no.
1	Cover plate and slotted grating set, black, Class A 15	680 899
2	Sludge bucket 170 × 120 × 90 mm	27 108
3	Adapter for retrofitting 27 603 and 27 605	27 608
4	Lip seal Ø 117 mm	680 280
5	Backwater valve module for basement drains with two flaps	27 603

Item	Designation	Art. no.
6	Rolling ring seal, Ø 110	680 001
7	Seal for flap	680 005
8	Flat seal	680 000
9	Test funnel with seal	70 214

Basement drain *The Universal*

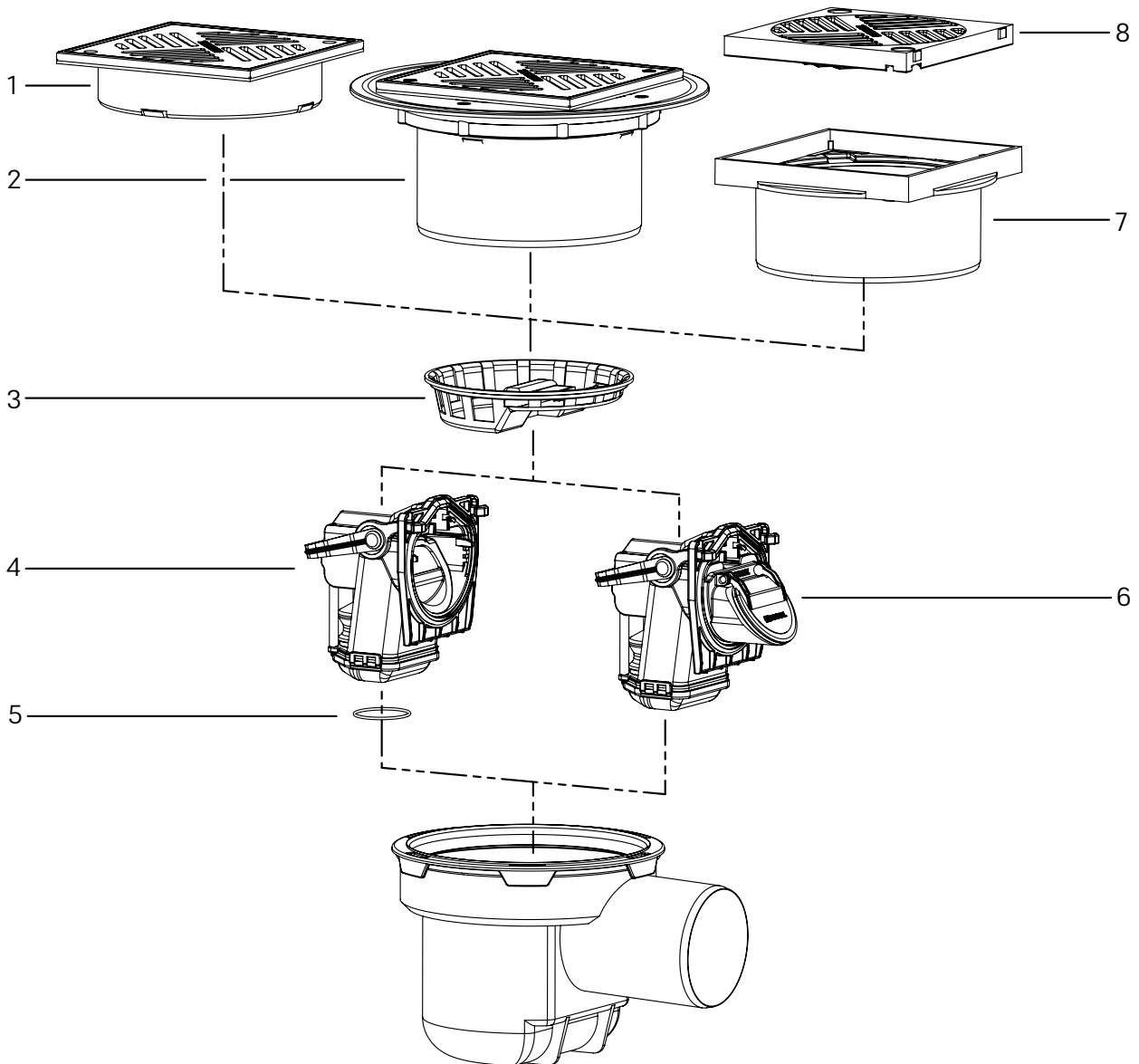
Installation in the floor slab



Item	Designation	Art. no.	Item	Designation	Art. no.
1	Upper section with stainless steel grating 200 × 200 mm, screwed	48 954	6	Lip seal Ø 117 mm	680 280
2	Variofix-Shallow bed upper section with slotted grating 200 × 200 mm	48 968	7	Upper section for polymer grating	27 714
3	Sludge bucket for <i>The Universal</i> basement drain	27 604	8	Slotted grating 188 × 188 mm, made of polymer, black	27 613
4	Backwater valve module for basement drains with two flaps	27 603	9	Test funnel with seal	70 214
5	Lip seal	680 183			

Light liquid trap

Installation in the floor slab, beginning model year 01/2005

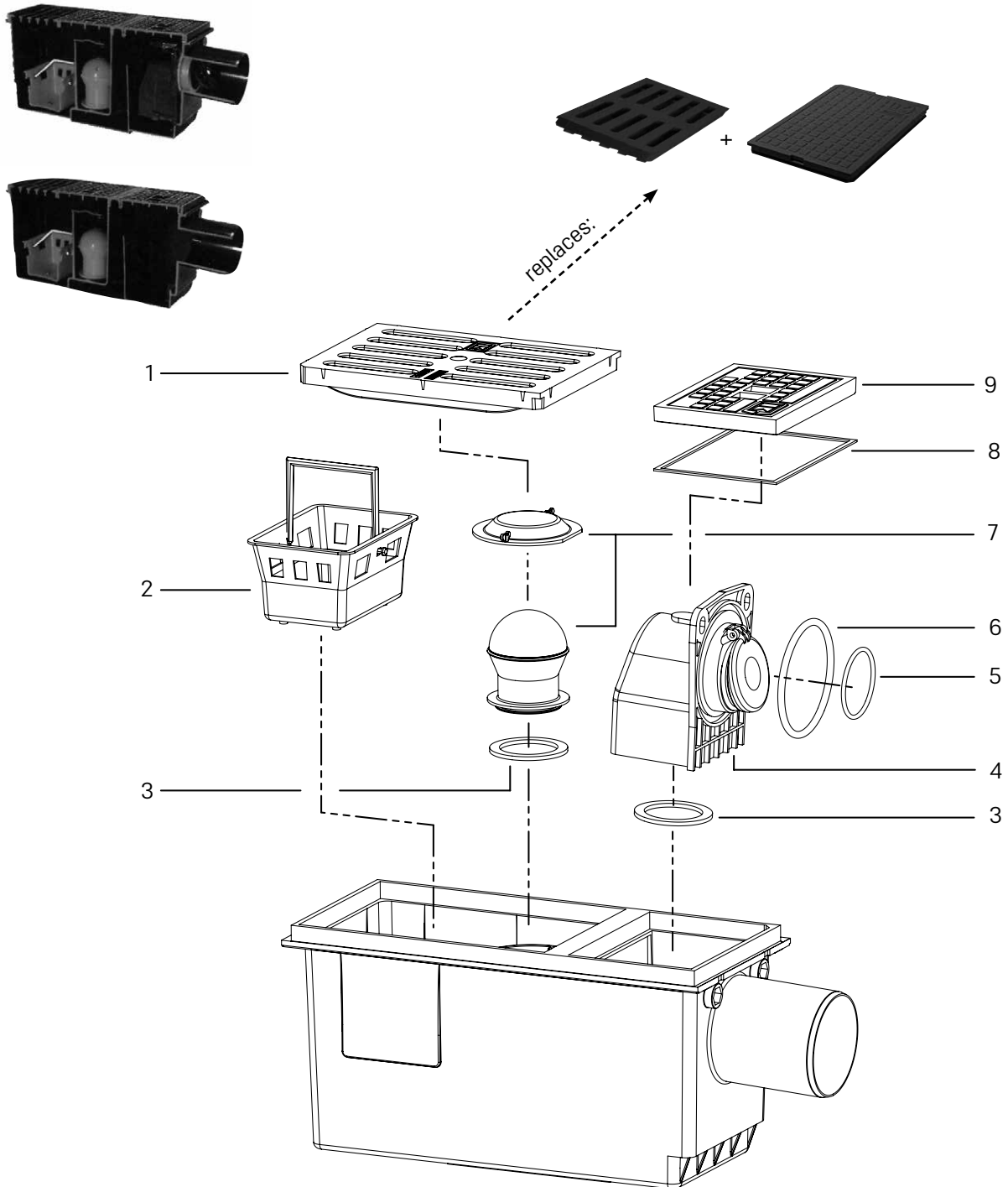


Item	Designation	Art. no.
1	Upper section with stainless steel grating 200 × 200 mm, screwed	48 954
2	Variofix-Shallow bed upper section with slotted grating 200 × 200 mm	48 968
3	Sludge bucket for <i>The Universal</i> basement drain and light liquid trap	27 604
4	Floater set with odour trap	27 607

Item	Designation	Art. no.
5	Seal for floater	680 081
6	Floater set with backwater valve and odour trap	27 606
7	Upper section for polymer grating	27 714
8	Slotted grating 188 × 188 mm, made of polymer, black	27 613

Light liquid trap

Installation in the floor slab, up to model year 12/2004



Item	Designation	Art. no.
1	Slotted grating, black 276 × 191 mm, made of polymer	30 001S
2	Sludge bucket 170 × 120 × 90 mm	27 108
3	Flat seal	680 000
4	Backwater valve for light liquid trap	680 222
5	Seal for flap	680 005

Item	Designation	Art. no.
6	Rolling ring seal, Ø 110	680 001
7	Floater set with seal and protective cap	27 119
8	Seal for light liquid trap cover	27 121
9	Cover for light liquid trap	27 120

Insert gratings and accessories for point drains

For bathroom drains

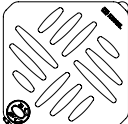
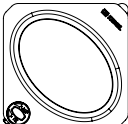
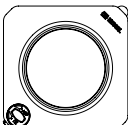
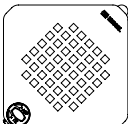
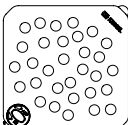
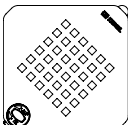

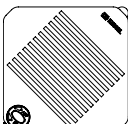
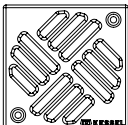
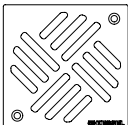
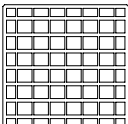
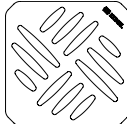
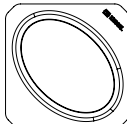
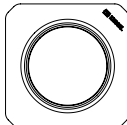
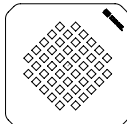
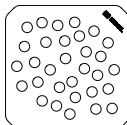
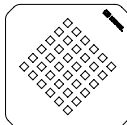
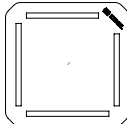
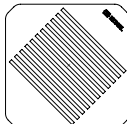
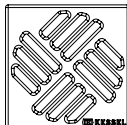
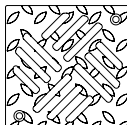
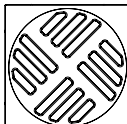
Image	Data	Art. no.
	Design grating <i>Kessel</i> 120 × 120 mm made of stainless steel, class L 15 with <i>Lock & Lift</i> locking system	680 226
	Design grating <i>Oval</i> 120 × 120 mm made of stainless steel, class K 3 with <i>Lock & Lift</i> locking system	680 225
	Design grating <i>Spot</i> 120 × 120 mm made of stainless steel, class K 3 with <i>Lock & Lift</i> locking system	680 238
	Design grating <i>Cross</i> 120 × 120 mm made of stainless steel, class K 3 with <i>Lock & Lift</i> locking system	680 235
	Design grating <i>Festival</i> 120 × 120 mm made of stainless steel, class L 15 with <i>Lock & Lift</i> locking system	680 237
	Design grating <i>Parade</i> 120 × 120 mm made of stainless steel, class K 3 with <i>Lock & Lift</i> locking system	680 236
	Design grating <i>Slot</i> 120 × 120 mm made of stainless steel, class K 3 with <i>Lock & Lift</i> locking system	680 239
	Design grating <i>Sticks</i> 120 × 120 mm made of stainless steel, class K 3 with <i>Lock & Lift</i> locking system	680 240
	Slotted grating, screwed 138 × 138 × 12.6 mm made of stainless steel, class K 3	27 155
	Slotted grating, solid, screwed 138 × 138 × 4 mm made of stainless steel, class L 15	680 241
	Slotted grating, solid 138 × 138 mm made of stainless steel class L 15 / M 125	680 223

Image	Data	Art. no.
	Design grating <i>Kessel</i> 120 × 120 mm made of stainless steel, class L 15 without <i>Lock & Lift</i> locking system	680 227
	Design grating <i>Oval</i> 120 × 120 mm made of stainless steel, class K 3 without <i>Lock & Lift</i> locking system	680 228
	Design grating <i>Spot</i> 120 × 120 mm made of stainless steel, class K 3 without <i>Lock & Lift</i> locking system	680 232
	Design grating <i>Cross</i> 120 × 120 mm made of stainless steel, class K 3 without <i>Lock & Lift</i> locking system	680 229
	Design grating <i>Festival</i> 120 × 120 mm made of stainless steel, class L 15 without <i>Lock & Lift</i> locking system	680 231
	Design grating <i>Parade</i> 120 × 120 mm made of stainless steel, class K 3 without <i>Lock & Lift</i> locking system	680 230
	Design grating <i>Slot</i> 120 × 120 mm made of stainless steel, class K 3 without <i>Lock & Lift</i> locking system	680 233
	Design grating <i>Sticks</i> 120 × 120 mm made of stainless steel, class K 3 without <i>Lock & Lift</i> locking system	680 234
	Slotted grating 138 × 138 × 12.6 mm made of stainless steel, class K 3	27 154
	Slotted grating, solid 138 × 138 × 4 mm made of stainless steel, class L 15	680 242
	Slotted grating 138 × 138 × 12.5 mm made of polymer, black class K 3	60 1015

Insert gratings and accessories for point drains

For bathroom drains

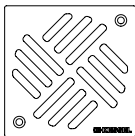
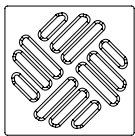

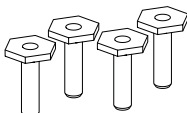
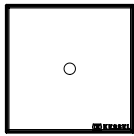
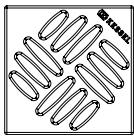
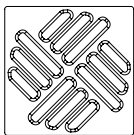

Image	Data	Art. no.
	Slotted grating, solid, screwed 200 × 200 × 4 mm made of stainless steel, class L 15	27 643
	Slotted grating 100 × 100 mm made of stainless steel, class K 3 only for art. no. 27 165	27 150
	Key for <i>Lock & Lift</i> for insert gratings	680 702
	Sound and settlement absorber, Hole diameter 14 mm, for <i>The Ultraflat</i>	680 882

Image	Data	Art. no.
	Tileable cover 110 × 110 mm made of polymer with <i>Lock & Lift</i> locking system	680 224
	Slotted grating 120 × 120 mm made of stainless steel class K 3	680 243
	Slotted grating 95 × 95 mm made of stainless steel, class K 3 only for art. no. 47 901	27 151
	Shim seal System 125, Ø 270 mm, EPDM	680 886

For basement drains

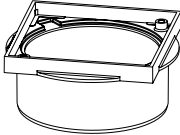
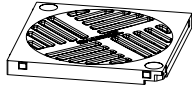
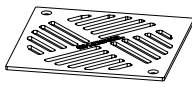
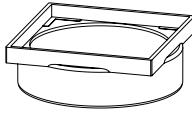
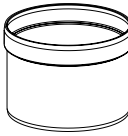
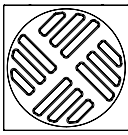
Image	Data	Art. no.
	Upper section for polymer grating 200 × 200 mm, Height 100 mm,	27 714
	Slotted grating 188 × 188 mm, made of polymer, black class K 3	27 613
	Slotted grating 187 × 187 mm, made of stainless steel, screwed, class K 3, only suitable for art. no. 27 621	27 643

Image	Data	Art. no.
	Upper section for polymer grating 150 × 150 mm, Height 50 mm, only suitable for art. no. 36 501	27 157
	Extension section Ø 160 mm, Extendable by 80 mm, only suitable for art. no. 36 501	36 590
	Slotted grating 138 × 138 × 12.5 mm, Polymer, black, class K 3, only suitable for art. no. 36 501	60 1015

For Ferrofix stainless steel drains

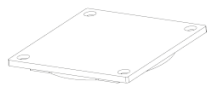
Image	Data	Art. no.
	Cover 150 × 150 mm made of stainless steel V2A, class L 15 incl. screws and seal for art. no. 54 912 and 54 913	680 477

Image	Data	Art. no.
	Tileable cover 150 × 150 mm made of stainless steel V2A, class L 15 incl. screws and seal for art. no. 54 910 and 54 911	680 478

Inserts, covers and accessories for shower channels

For *Linearis Infinity 60 and 90*











Image	Data	Art. no.
	Insert stainless steel brushed for <i>Linearis Infinity</i> Length: 800 mm, class K 3	681 003
	Insert stainless steel brushed for <i>Linearis Infinity</i> Length: 900 mm, class K 3	681 004
	Insert stainless steel brushed for <i>Linearis Infinity</i> Length: 1000 mm, class K 3	681 005
	Insert stainless steel brushed for <i>Linearis Infinity</i> Length: 1100 mm, class K 3	681 006
	Insert stainless steel brushed for <i>Linearis Infinity</i> Length: 1200 mm, class K 3	681 007
	Insert stainless steel brushed for <i>Linearis Infinity</i> Length: 1400 mm, class K 3	681 008
	Insert stainless steel brushed for <i>Linearis Infinity</i> Length: 1600 mm, class K 3	681 009
	Insert Black brushed for <i>Linearis Infinity</i> Length: 800 mm, class K 3	681 017*
	Insert Black brushed for <i>Linearis Infinity</i> Length: 900 mm, class K 3	681 018*
	Insert Black brushed for <i>Linearis Infinity</i> Length: 1000 mm, class K 3	681 019*
	Insert Black brushed for <i>Linearis Infinity</i> Length: 1100 mm, class K 3	681 020*
	Insert Black brushed for <i>Linearis Infinity</i> Length: 1200 mm, class K 3	681 021*
	Insert Copper brushed for <i>Linearis Infinity</i> Length: 800 mm, class K 3	681 022*
	Insert Copper brushed for <i>Linearis Infinity</i> Length: 900 mm, class K 3	681 023*
	Insert Copper brushed for <i>Linearis Infinity</i> Length: 1000 mm, class K 3	681 024*
	Insert Copper brushed for <i>Linearis Infinity</i> Length: 1100 mm, class K 3	681 025*
	Insert Copper brushed for <i>Linearis Infinity</i> Length: 1200 mm, class K 3	681 026*

Image	Data	Art. no.
	Insert stainless steel polished for <i>Linearis Infinity</i> Length: 800 mm, class K 3	681 010
	Insert stainless steel polished for <i>Linearis Infinity</i> Length: 900 mm, class K 3	681 011
	Insert stainless steel polished for <i>Linearis Infinity</i> Length: 1000 mm, class K 3	681 012
	Insert stainless steel polished for <i>Linearis Infinity</i> Length: 1100 mm, class K 3	681 013
	Insert stainless steel polished for <i>Linearis Infinity</i> Length: 1200 mm, class K 3	681 014
	Insert stainless steel polished for <i>Linearis Infinity</i> Length: 1400 mm, class K 3	681 015
	Insert stainless steel polished for <i>Linearis Infinity</i> Length: 1600 mm, class K 3	681 016
	Insert Bronze brushed for <i>Linearis Infinity</i> Length: 800 mm, class K 3	681 027*
	Insert Bronze brushed for <i>Linearis Infinity</i> Length: 900 mm, class K 3	681 028*
	Insert Bronze brushed for <i>Linearis Infinity</i> Length: 1000 mm, class K 3	681 029*
	Insert Bronze brushed for <i>Linearis Infinity</i> Length: 1100 mm, class K 3	681 030*
	Insert Bronze brushed for <i>Linearis Infinity</i> Length: 1200 mm, class K 3	681 031*

* Available from 09/2021

Inserts, covers and accessories for shower channels

For Linearis Infinity 60 and 90

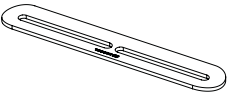
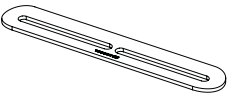
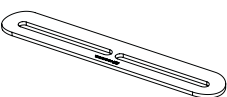
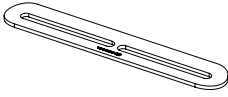
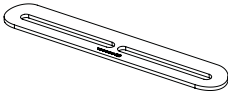




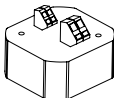

Image	Data	Art. no.
	Replacement cover, Surface stainless steel brushed for <i>Linearis Infinity</i> for all length class K 3	680 943
	Replacement cover, Surface stainless steel polished for <i>Linearis Infinity</i> for all length class K 3	680 945
	Replacement cover, Surface Black brushed for <i>Linearis Infinity</i> for all length class K 3	680 944

Image	Data	Art. no.
	Replacement cover, Surface Copper brushed for <i>Linearis Infinity</i> for all length class K 3	680 946
	Replacement cover, Surface Bronze brushed for <i>Linearis Infinity</i> for all length class K 3	680 947

For Linearis Comfort

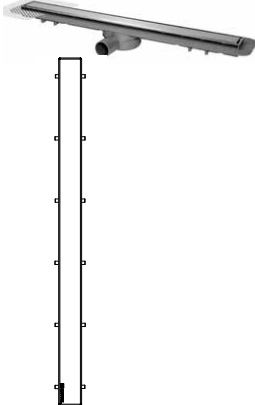
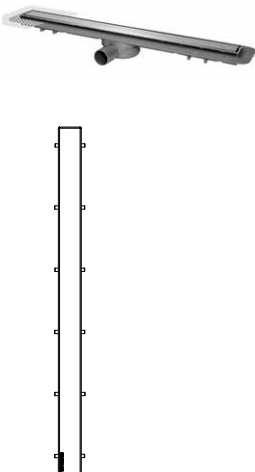
Image	Data	Art. no.
	Stainless steel insert for <i>Linearis Comfort</i> Length: 750 mm class K 3	680 262
	Stainless steel insert for <i>Linearis Comfort</i> Length: 850 mm class K 3	680 263
	Stainless steel insert for <i>Linearis Comfort</i> Length: 950 mm class K 3	680 264
	Stainless steel insert for <i>Linearis Comfort</i> Length: 1050 mm class K 3	680 265
	Stainless steel insert for <i>Linearis Comfort</i> Length: 1150 mm class K 3	680 266

For Linearis Comfort Light

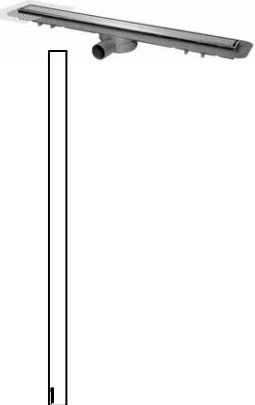
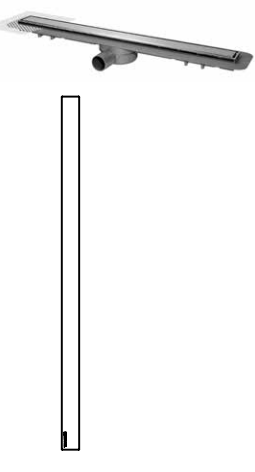
Image	Data	Art. no.
	LED cover for <i>Linearis Comfort Light</i> Length: 750 mm for max. load of 100 kg	680 267
	LED cover for <i>Linearis Comfort Light</i> Length: 850 mm for max. load of 100 kg	680 268
	LED cover for <i>Linearis Comfort Light</i> Length: 950 mm for max. load of 100 kg	680 269
	LED cover for <i>Linearis Comfort Light</i> Length: 1150 mm for max. load of 100 kg	680 270
	24 V transformer for <i>Linearis Comfort Light</i>	680 252
	Induction transmitter for <i>Linearis Comfort Light</i>	680 271

Inserts, covers and accessories for shower channels

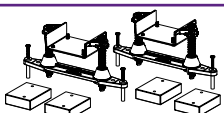

For *Linearis Compact*

Image	Data	Art. no.
	Stainless steel insert for <i>Linearis Compact</i> Length: 300 mm class K 3	680 261
	Stainless steel insert for <i>Linearis Compact</i> Length: 450 mm class K 3	680 260
	Stainless steel insert for <i>Linearis Compact</i> Length: 550 mm class K 3	680 259
	Stainless steel insert for <i>Linearis Compact</i> Length: 650 mm class K 3	680 258
	Stainless steel insert for <i>Linearis Compact</i> Length: 750 mm class K 3	680 257
	Stainless steel insert for <i>Linearis Compact</i> Length: 850 mm class K 3	680 256
	Stainless steel insert for <i>Linearis Compact</i> Length: 950 mm class K 3	680 255
	Stainless steel insert for <i>Linearis Compact</i> Length: 1050 mm class K 3	680 254
	Stainless steel insert for <i>Linearis Compact</i> Length: 1150 mm class K 3	680 253

For *Linearis Compact* (without visible spacers)





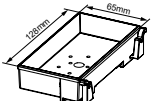
Image	Data	Art. no.
	Stainless steel insert for <i>Linearis Compact</i> Length: 300 mm class K 3	680 485
	Stainless steel insert for <i>Linearis Compact</i> Length: 450 mm class K 3	680 484
	Stainless steel insert for <i>Linearis Compact</i> Length: 550 mm class K 3	680 483
	Stainless steel insert for <i>Linearis Compact</i> Length: 650 mm class K 3	680 482
	Stainless steel insert for <i>Linearis Compact</i> Length: 750 mm class K 3	680 425
	Stainless steel insert for <i>Linearis Compact</i> Length: 850 mm class K 3	680 426
	Stainless steel insert for <i>Linearis Compact</i> Length: 950 mm class K 3	680 427
	Stainless steel insert for <i>Linearis Compact</i> Length: 1050 mm class K 3	680 428
	Stainless steel insert for <i>Linearis Compact</i> Length: 1150 mm class K 3	680 429

For all *Linearis Compact*





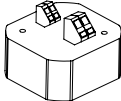

Image	Data	Art. no.
	Mounting bracket for <i>Linearis Compact</i> 2 brackets incl. rubber insert	680 669
	Waterproofing membrane for <i>Linearis Compact</i> suitable for all lengths	680 728

Inserts, covers and accessories for shower channels





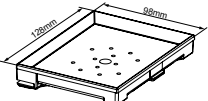
For Linearis Super60

Image	Data	Art. no.
	Stainless steel insert for <i>Linearis Super60</i> Length: 750 mm class K 3	680 248
	Stainless steel insert for <i>Linearis Super60</i> Length: 850 mm class K 3	680 249
	Stainless steel insert for <i>Linearis Super60</i> Length: 950 mm class K 3	680 250
	Stainless steel insert for <i>Linearis Super60</i> Length: 1150 mm class K 3	680 251
	Tileable cover for <i>Linearis Super60</i> and <i>Linearis Super60 Light</i> class K 3	680 683

For Linearis Super60 Light

Image	Data	Art. no.
	LED cover for <i>Linearis Super60 Light</i> Length: 750 mm class K 3	680 690
	LED cover for <i>Linearis Super60 Light</i> Length: 850 mm class K 3	680 691
	LED cover for <i>Linearis Super60 Light</i> Length: 950 mm class K 3	680 692
	LED cover for <i>Linearis Super60 Light</i> Length: 1150 mm class K 3	680 693
	24 V transformer for <i>Linearis Super60 Light</i>	680 252
	Induction transmitter for <i>Linearis Super60 Light</i>	680 420

For Linearis

Image	Data	Art. no.
	Stainless steel insert for <i>Linearis</i> Length: 750 mm class K 3	680 686
	Stainless steel insert for <i>Linearis</i> Length: 850 mm class K 3	680 687
	Stainless steel insert for <i>Linearis</i> Length: 950 mm class K 3	680 688
	Stainless steel insert for <i>Linearis</i> Length: 1150 mm class K 3	680 689
	Tileable cover for <i>Linearis</i> class K 3	680 715

Covers, insert gratings and accessories

For Scada wall drain


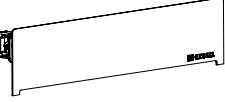


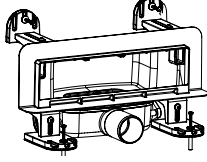
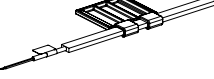
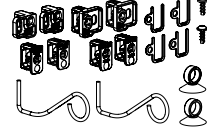
Image	Data	Art. no.
	Tileable drain cover for <i>Scada</i> wall drain, V2A, tiling height up to 10 mm Length: 300 mm	48 011
	Drain cover, stainless steel V2A for wall drain, <i>Scada</i> Tiling height up to 10 mm Length: 300 mm	48 012
	Drain cover Wave, for wall drain, <i>Scada</i> , V2A Tiling height up to 10 mm Length: 300 mm	48 013
	Drain cover stainless steel for wall drain, <i>Scada</i> , V2A Tiling height up to 17 mm Length: 300 mm	48 014

Image	Data	Art. no.
	LED strip, RGB (with changing colours) for wall drain, <i>Scada</i> Length: 300 mm	48 018
	Spare parts set for <i>Scada</i> (removal tools and spacers)	680 685
	12 V transformer for wall drain, <i>Scada</i>	680 078

For yard and parking deck drains

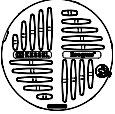
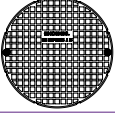

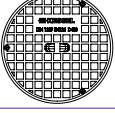











Image	Data	Art. no.
	Slotted grating, <i>Ecoguss</i> for yard and parking deck drain, with <i>Lock & Lift</i> Ø 235 mm, class B 125	680 216
	Cover plate with seal Ø 362 mm made of polymer, black, class A 15	680 312
	Cover plate Ø 362 mm made of grey cast iron, black, class B 125	680 553
	Cover plate Ø 395 mm made of grey cast iron, class D 400 only suitable for art. no. 850 121	680 313
	Key for <i>Lock & Lift</i> for cover plates (suitable for yard and parking deck drains)	67 007
	Lip seal Ø 230 mm	27 140
	Lip seal for non-slip mounting, for <i>The Universal</i> and System 200 floor drains	27 141

Image	Data	Art. no.
	Slotted grating, round, made of polymer Ø 218 mm made of polymer, black, lockable, class A 15 / L 15	27 173
	Slotted grating, round Ø 362 mm made of polymer, black, lockable, class A 15	850 134
	Slotted grating, round Ø 362 mm made of grey cast iron, black, lockable, class B 125	850 135
	Slotted grating, round Ø 395 mm made of grey cast iron, class D only suitable for art. no. 850 121	850 137
	Slotted grating, round, lockable, Ø 218 mm, made of polymer, class A 15	27 173
	Support frame 300 x 300 mm, class A 15 / L 15	27 180
	Upper section with lip seal, continuously height-adjustable 40 - 150 mm for System 200	67 400

Replacement covers, gratings and accessories

For patio drains

Image	Data	Art. no.
	Slotted grating Ø 120 mm, made of polymer, class K 3 only for art. no. 40 152.71 and 40 172.71	27 156

For gutter drains

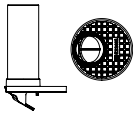
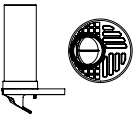
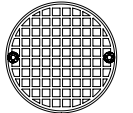


Image	Data	Art. no.
	Upper section, rain inlet Ø 218 mm with protective pipe Ø 110, made of polymer, solid cover	67 750
	Upper section rain inlet, slotted grating, Ø 218 mm with protective pipe Ø 110 made of polymer	67 700
	Solid cover plate Ø 218 mm made of polymer class A 15 / L 15	67 775

Image	Data	Art. no.
	Lip seal Ø 230 mm	27 140
	Lip seal for non-slip mounting, for <i>The Universal</i> and System 200 floor drains	27 141

For roof drains made of *Ecoguss*





Image	Data	Art. no.
	Gravel trap for roof drain, <i>Ecoguss</i> , made of polymer	48 303
	Accumulation ring H = 35 mm, Ø 75/110 made of <i>Ecoguss</i> for overflow drainage	48 335

Image	Data	Art. no.
	Spacer ring for roof drain, <i>Ecoguss</i>	48 302
	Accumulation ring H = 45 mm, Ø 125 made of <i>Ecoguss</i> for overflow drainage	48 345

Odour traps



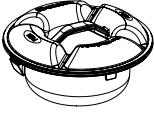




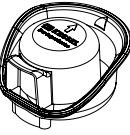

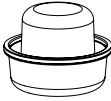










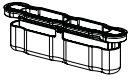

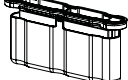

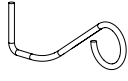








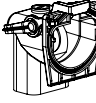

Image	suitable for drains	Art. no.
	 <i>Ecoguss and Practicus</i>	27 169
	 <i>Drain body, The Ultraflat</i>	47 103
	<i>for The Ultraflat 54</i>	680 695
	<i>for The Ultraflat 79</i>	680 696
	<i>Multistop for upper sections System 125</i>	48 500
	 <i>Drain body, The Superflat</i>	47 102
	<i>Drain body, Classic</i> Sealing water height: 50 mm 47 200 30 mm 47 100	
	 All upper sections for System 125 and Drain body, <i>The Vertical</i> , 50 mm sealing water height	48 600
	 <i>Ferrofix System 125</i> made of stainless steel, Sealing water height 50 mm	54 188
	 <i>Ferrofix System 200</i> made of stainless steel, Sealing water height 70 mm	27 182

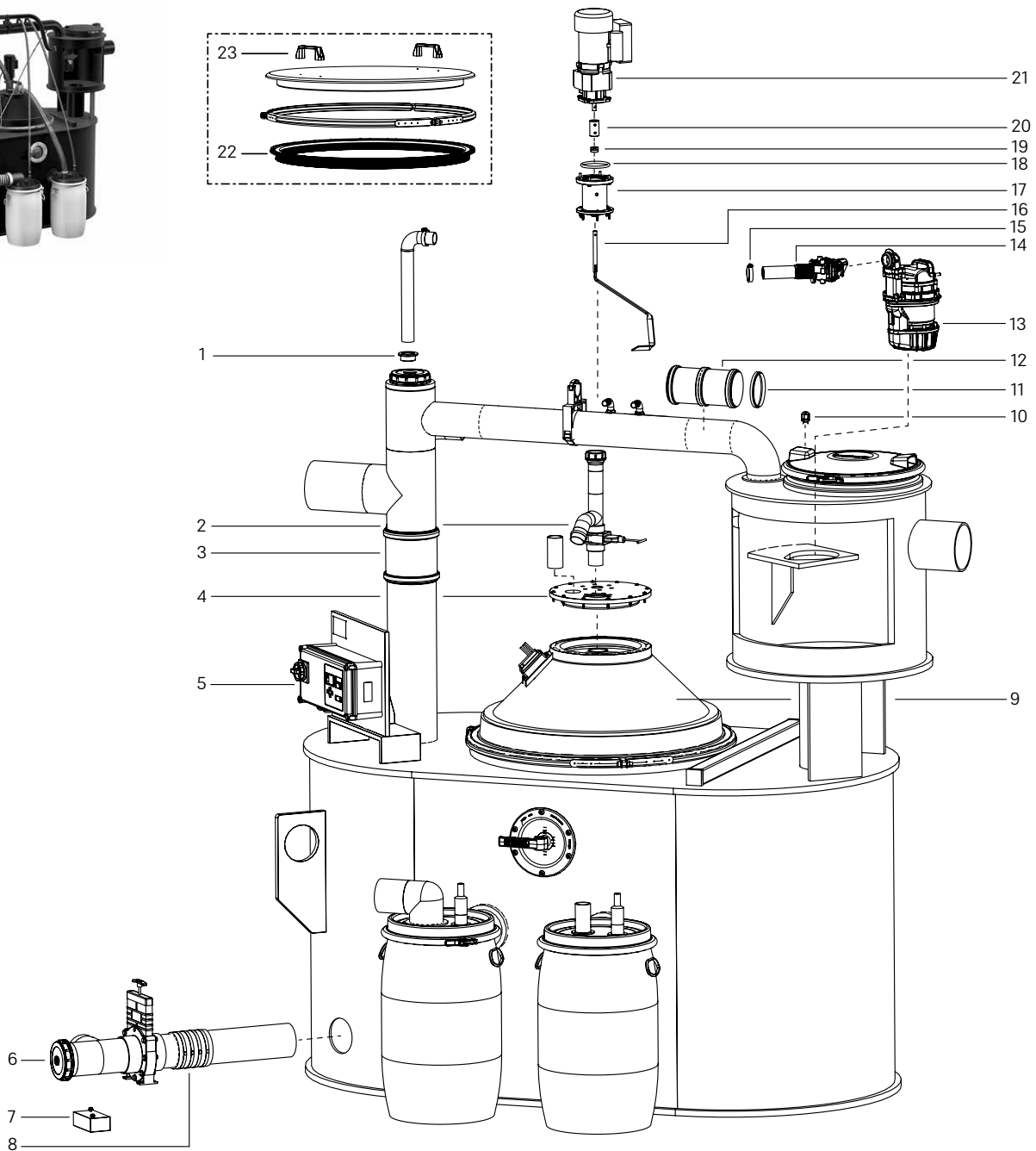
Image	suitable for drains	Art. no.
	 <i>Shower channel Linearis Compact and Comfort</i> , wall drain <i>Scada</i> Sealing water height 22 mm	48 603
	 <i>Shower channel Linearis Comfort</i> Sealing water height 50 mm	48 602
	 <i>Shower channel Linearis Infinity 60</i> Sealing water height 24 mm	680 941
	 <i>Shower channel Linearis Infinity 90</i> Sealing water height 50 mm	680 942
	<i>Removal aid for Odour trap of shower channel Linearis Infinity 60 and 90</i>	680 948
	<i>Yard and gutter drains</i> , 70 mm sealing water height	27 170
	<i>Gutter drains</i> , 100 mm sealing water height	27 171
	<i>Yard drains System 400</i> , Ø 110 for art. no. 850 009	850 141
	<i>Yard drains System 400</i> , Ø 160 for art. no. 850 010	850 142
	<i>Multistop 200</i> for drains art. no. 67 985, 67 923B and 67 922B	48 520
	<i>Drain body Rotary</i>	48 975
	 <i>Basement drain art. no. 36 501</i>	60 103
	 <i>Basement drain art. no. 29 111</i>	27 605

5. Separators

Grease separator "SE"	127	Sampling chamber	141
Grease separator Euro "E+S" PV	130	Grease separator, <i>EasyClean</i> ground Standard	143
Grease separator <i>EasyClean</i> free Auto Mix & Pump	131	Grease layer thickness measuring device <i>SonicControl</i>	144
Grease separator Euro "E+S" M	132	Oil/fuel and coalescence separator <i>EasyOil</i> ground	145
Grease separator <i>EasyClean</i> free Mix & Pump	133	Automatic measuring device <i>SonicControl</i>	147
Grease separator Euro "D+S-P1"	134		
Grease separator <i>EasyClean</i> free Auto Mix	135		
Grease separator Euro "D+S"	136		
Grease separator <i>EasyClean</i> free Mix	137		
Grease separator Euro D and G	138		
Grease separator, <i>EasyClean</i> free, Direct and Standard	139		
Grease separator, <i>EasyClean</i> free Basic	140		

"SE" grease separator

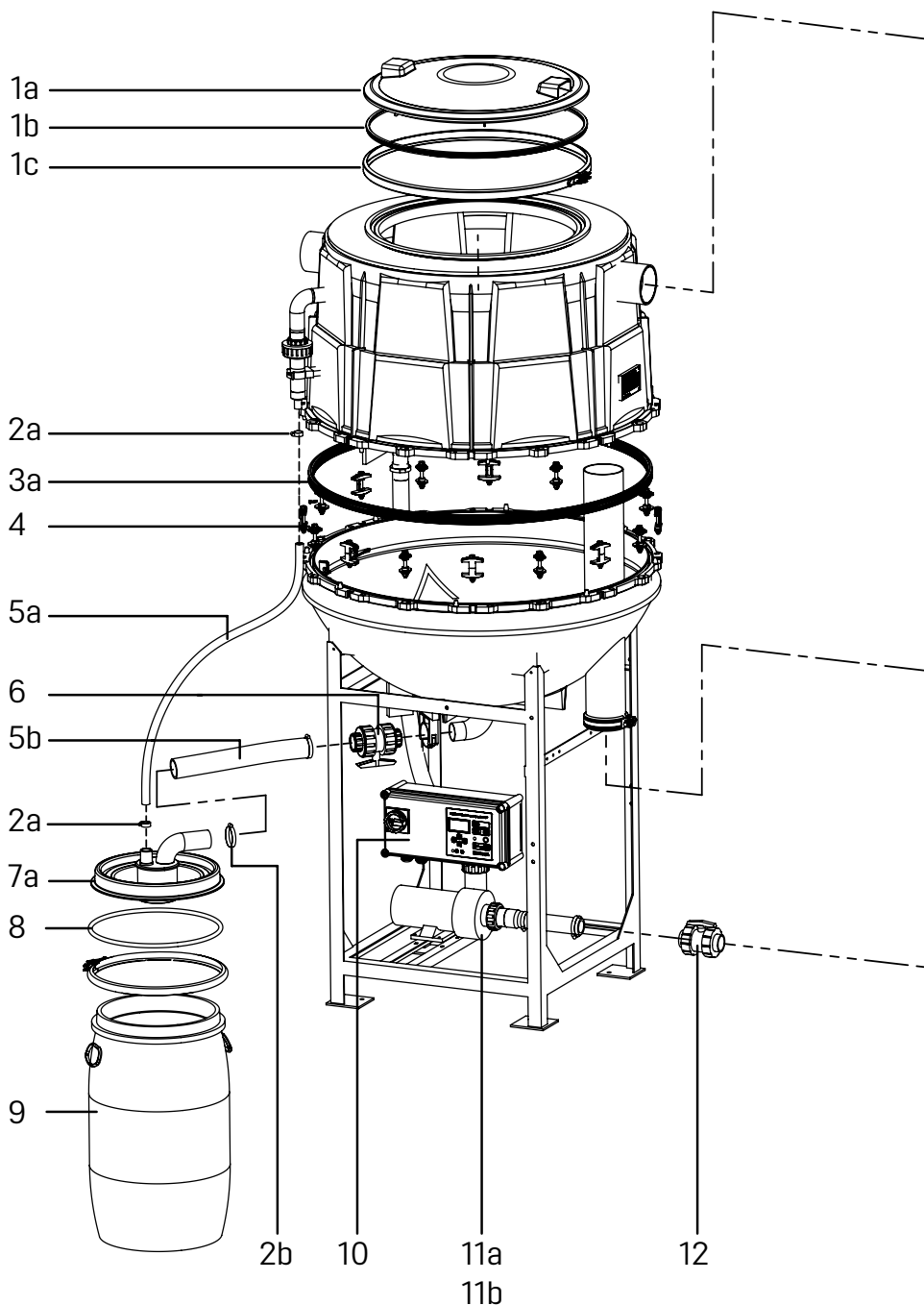
For free-standing set-up, up to model year 12/2019



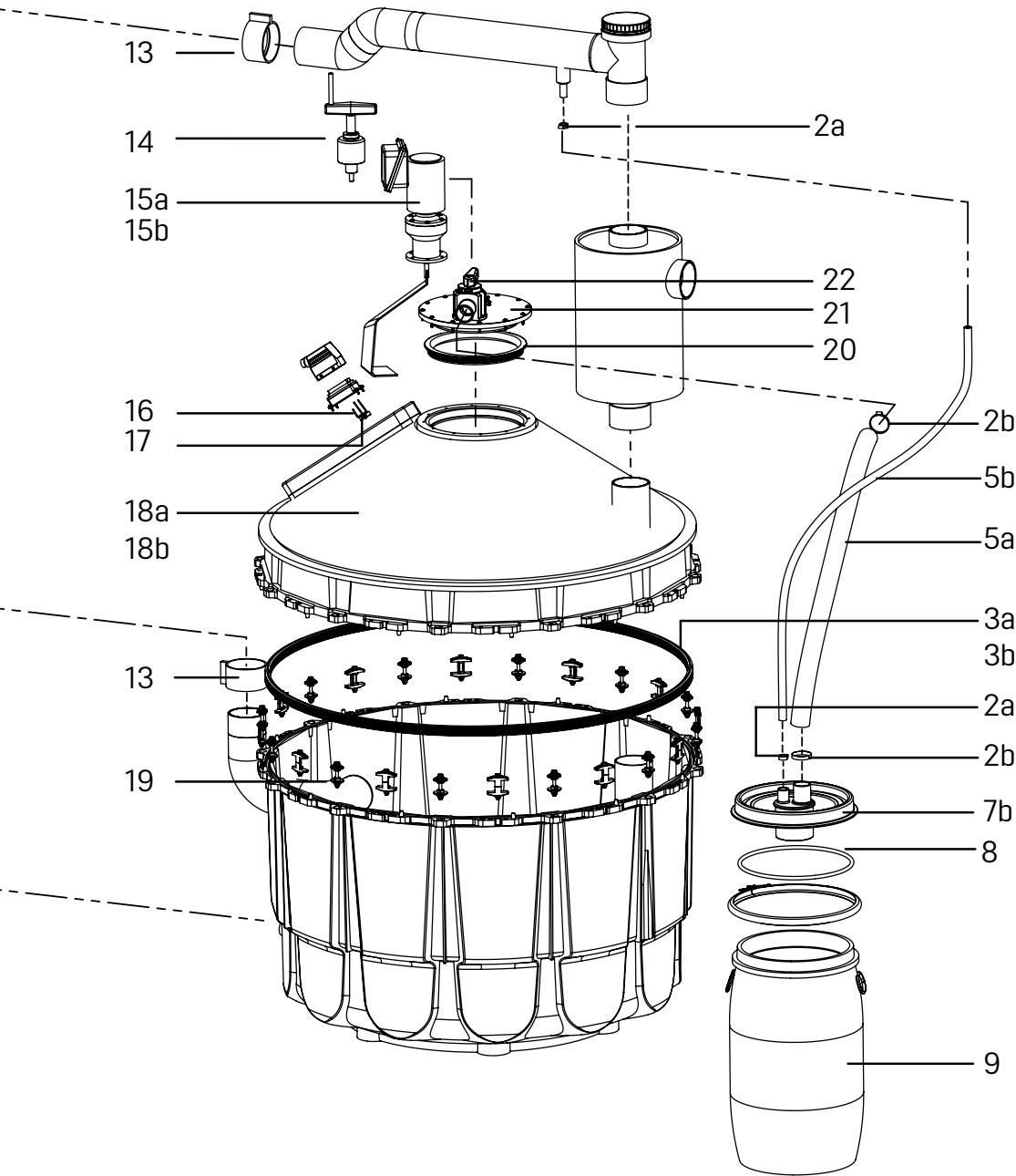
Item	Designation	Art. no.	Item	Designation	Art. no.
1	Conduit pipe seal, Ø 40	680 516	13	Replacement pump GTF 1300	680 520
2	Valve for grease removal, grease separator SE	680 304	14	Pump coupling GTF 1300	680 523
3	Double socket Ø 160	680 517	15	Hose clamp 32 - 50 mm	680 521
4	Cover, grease removal, China-SE	680 507	16	Mixing bracket	680 508
5	Control unit 230 V, for grease separator SE	680 339	17	Adapter for mixing motor	680 504
6	Shut-off valve Ø 110 panel system	680 512	18	O-ring 59 × 3 mm	680 509
7	Support for sludge disposal	680 511	19	Seal for radial shaft	680 510
8	Adapter coupling 187 - 212 mm	680 519	20	Coupling	680 505
9	Heating dome, grease separator SE	680 433	21	Grease mixing motor 230 V	680 310
10	Cable gland M16 × 1.5	680 522	22	Profiled seal 980 mm for NS 15 - 25	680 503
11	Lip seal Ø 110 EN 682-1	680 515	23	Handle for NS 15 - 25	680 506
12	Double socket Ø 110 channel	680 513			

Grease separator "SE"

Free-standing set-up



Item	Designation	Art. no.	Item	Designation	Art. no.
1	Cover		4	Screw connection (12 ea.)	917 838
1a	Cover Ø 625 mm	916 901	5	PVC hose	
1b	Seal for cover Ø 625 mm	917 201	5a	D19 × 3, thin, Ø 25 mm (1.7 m)	680 286
1c	Clamp fastener for cover Ø 625 mm	917 001	5b	D50 × 5, thick Ø 60 mm (1.0 m)	680 282
2	Hose clamps		6	Ball valve Ø 40, for sludge removal	680 288
2a	for thin hose Ø 25 mm (1 ea.)	680 287	7	Cover with disposal connection	
2b	for thick hose Ø 60 mm (1 ea.)	680 283	7a	incl. sludge drum	680 289
3	Seal		7b	incl. grease drum	680 285
3a	Ø 980 mm, for NS 2	840 113	8	Seal for disposal drum 60 L	680 481
3b	Ø 1200 mm, for NS 4	860 113	9	Disposal drum for grease separator SE, 60 L	680 319



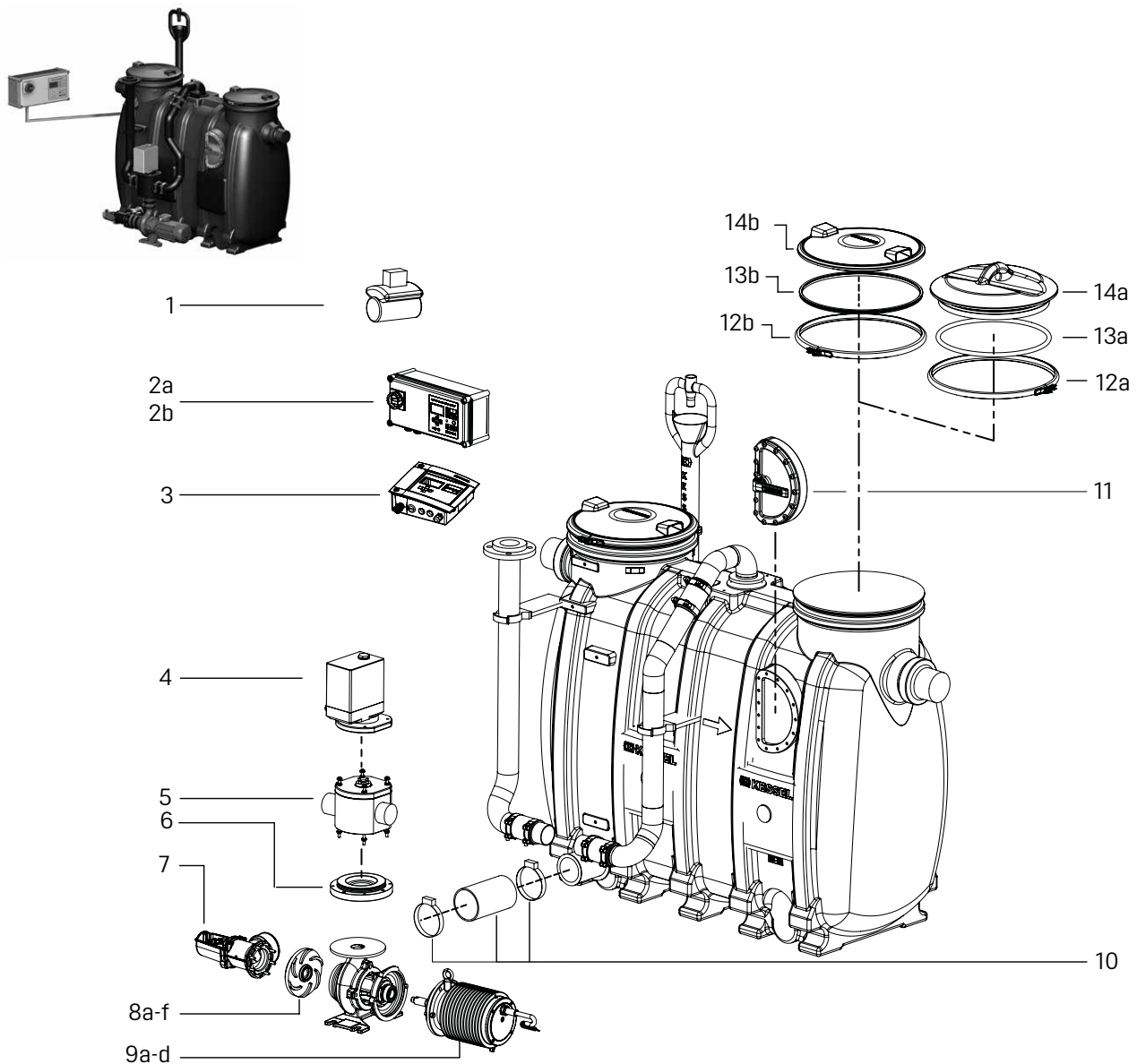
Item	Designation	Art. no.
10	Control unit 230 V, for grease separator SE	680 339
11	Flushing pump	
11a	400 V, grease separator SE	680 305
11b	230 V, grease separator SE	917 111
12	Ball valve Ø 32	680 284
13	Clamp sleeve Ø 110	680 432
14	Mixing lever with G1	680 290
15	Grease mixing motor	
15a	400 V AC	680 306
15b	230 V AC	680 310

Item	Designation	Art. no.
16	Temperature sensor for grease separator SE	680 308
17	Thermal fuse for grease separator SE	680 291
18	Heating dome*	
18a	Replacement heating dome for NS 4 - 10	680 433
18b	Adapter heating dome incl. taper	680 309
19	Connecting wedges (12 ea.)	860 111
20	Lip seal Ø 296 mm	680 057
21	Cover for grease removal, grease separator SE	680 303
22	Valve for grease removal, grease separator SE	680 304

* There is often a delay between production and delivery, so please always send the type plate and photo to kundendienst@kessel.de.

Grease separator Euro "E+S" PV

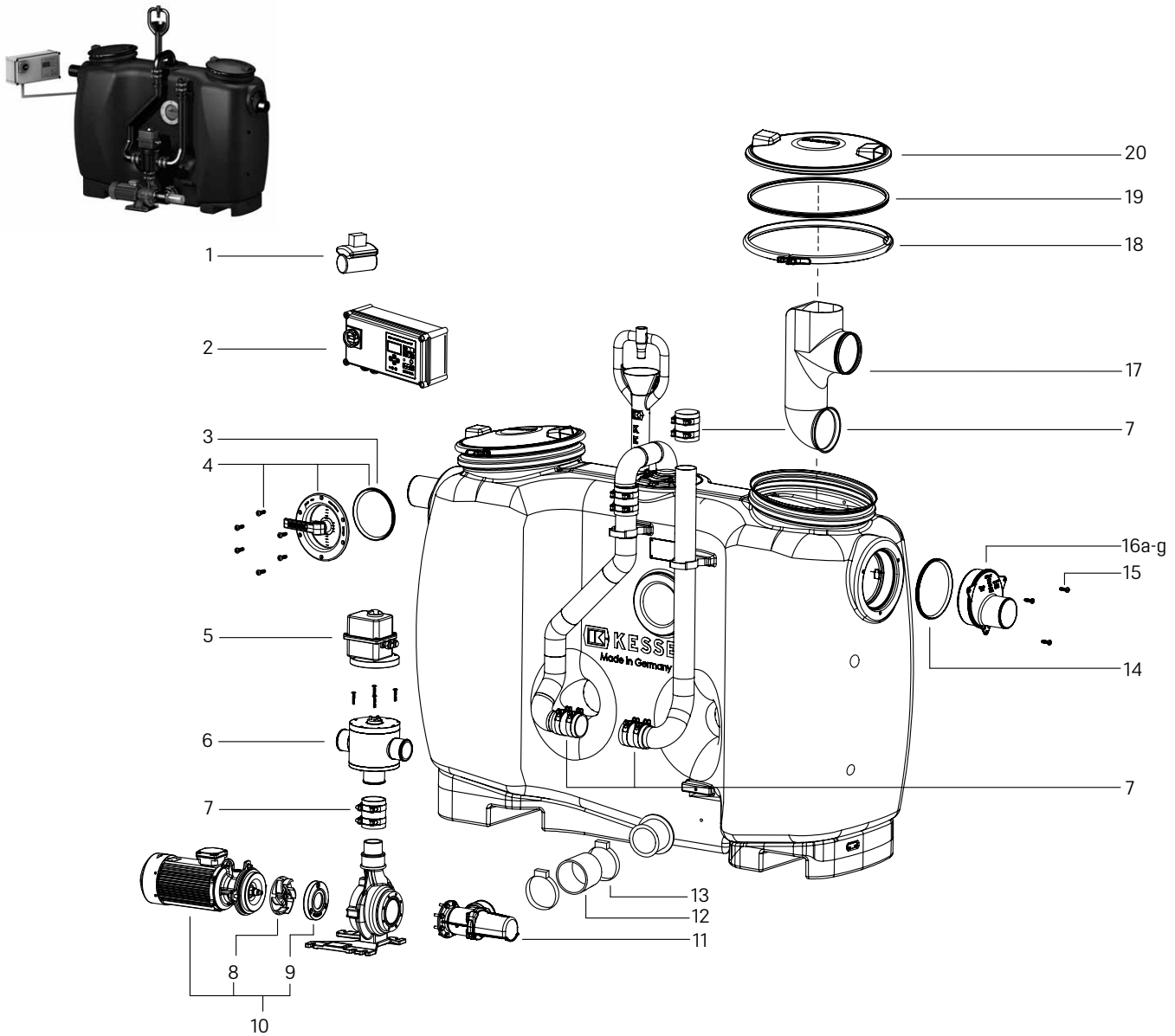
Free-standing set-up, up to model year 09/2013



Item	Designation	Art. no.	Item	Designation	Art. no.
1	Solenoid valve 1 inch (1 ea.)	85 047	9	Replacement pump	
2	Control unit		9a	SPF 260 KE, 2.6 kW	680 330
2a	for Auto Mix & Pump 2.6/3.0 and 4.0 kW	680 342	9b	SPF 300 KE 2.0, homogeniser, 3.0 kW	917 856
2b	for Auto Mix & Pump 5.5 kW	680 344	9c	SPF 400 KE, 4.0 kW	680 331
3	RemoteControl	916 601	9d	SPF 550 KE, 5.5 kW	680 332
4	Servo motor	680 832	10	Flexible coupling Ø 110, for pressure pipes (hose with 2 clamps)	28 663
5	2-way valve, redistributor	680 275	11	Inspection window for Euro grease separator	680 589
6	Adapter for grease separator pump	680 590	12	Clamp fastener	
7	Shut-off valve Ø 110, polymer, horizontal	28 683	12a	for cover Ø 420, up to model year 03/2004	680 325
8a	Radial impeller with cutting plate and agitator for 2.6 kW	917 850	12b	for cover Ø 420, beginning model year 04/2004	917 004
8b	Radial impeller with cutting plate and agitator for 3.0 kW	917 854	13	Seal	
8c	Radial impeller with cutting plate and agitator for 4.0 kW	917 851	13a	for cover Ø 420, up to model year 03/2004	680 217
8d	Radial impeller with cutting plate and agitator for 5.5 kW	917 852	13b	for cover Ø 420, beginning model year 04/2004	917 204
8e	Cutting plate for 2.6/4.0 and 5.5 kW	917 853	14	Cover	
8f	Cutting plate for 3.0 kW	917 855	14a	Ø 420, up to model year 03/2004	680 326
			14b	Ø 420, beginning model year 04/2004	916 904

Grease separator *EasyClean* free Auto Mix & Pump

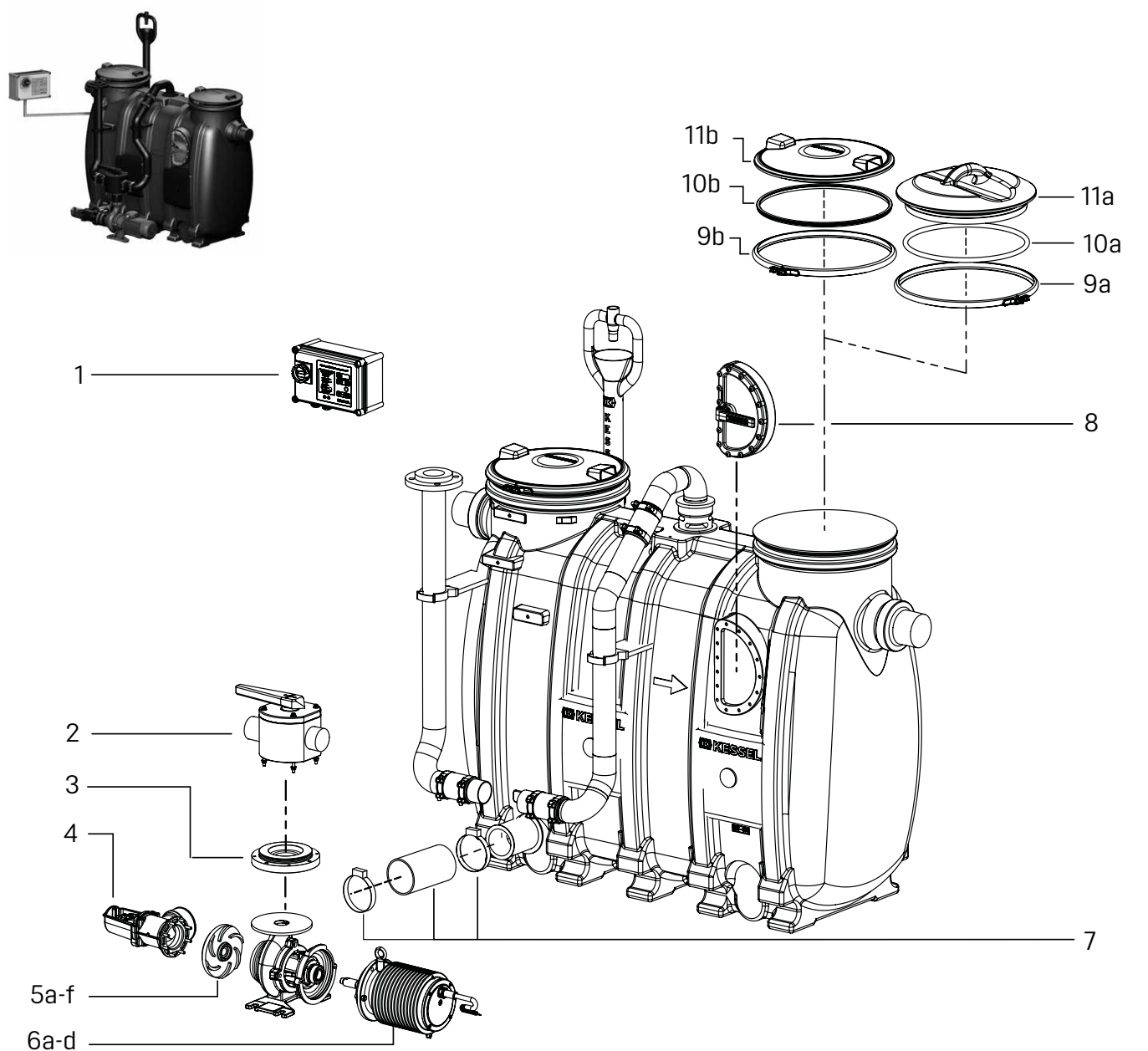
Free-standing set-up, beginning model year 10/2013



Item	Designation	Art. no.	Item	Designation	Art. no.
1	Solenoid valve 1 inch (1 ea.)	85 047	15	Screw 10×3, A2	680 164
2	Control unit Auto Mix & Pump 2.6, 3.0 and 4.0 kW	680 342	16	Inlet/outlet for grease separator	
3	Seal Ø 160 for inspection window	680 003	16a	Inlet NS 2 - 4	680 435
4	Inspection window for grease separator, <i>EasyClean</i> , with seal and screws	913 109	16b	Inlet NS 7 - 10	680 436
5	Servo motor	680 832	16c	Outlet NS 2	680 437
6	2-way valve, redistributor	680 275	16d	Outlet NS 3	680 890
7	Connection hose with hose clamps, Ø 75, L: 100 mm	680 555	16e	Outlet NS 4	680 437
8	Radial impeller with cutting plate and agitator for 3.0 kW	917 854	16f	Outlet NS 7	680 891
9	Cutting plate 3.0 kW	917 855	16g	Outlet NS 10	680 438
10	Replacement pump SPF 300 KE 2.0, homogeniser, 3.0 kW	917 856	17	Inlet/outlet structure for grease separator NS 2 - 10	680 439
11	Shut-off valve Ø 110, polymer, horizontal	680 329	18	Clamp fastener for cover Ø 420 mm, beginning model year 04/2004	917 004
12	Connection hose Ø 110, L: 100 mm	680 434	19	Seal for cover Ø 420, beginning model year 04/2004	917 204
13	Hose clamp Ø 110	680 126	20	Cover Ø 420, beginning model year 04/2004	916 904
14	Seal for inlet/outlet connection, Ø 200	680 128			

Grease separator Euro "E+S" M

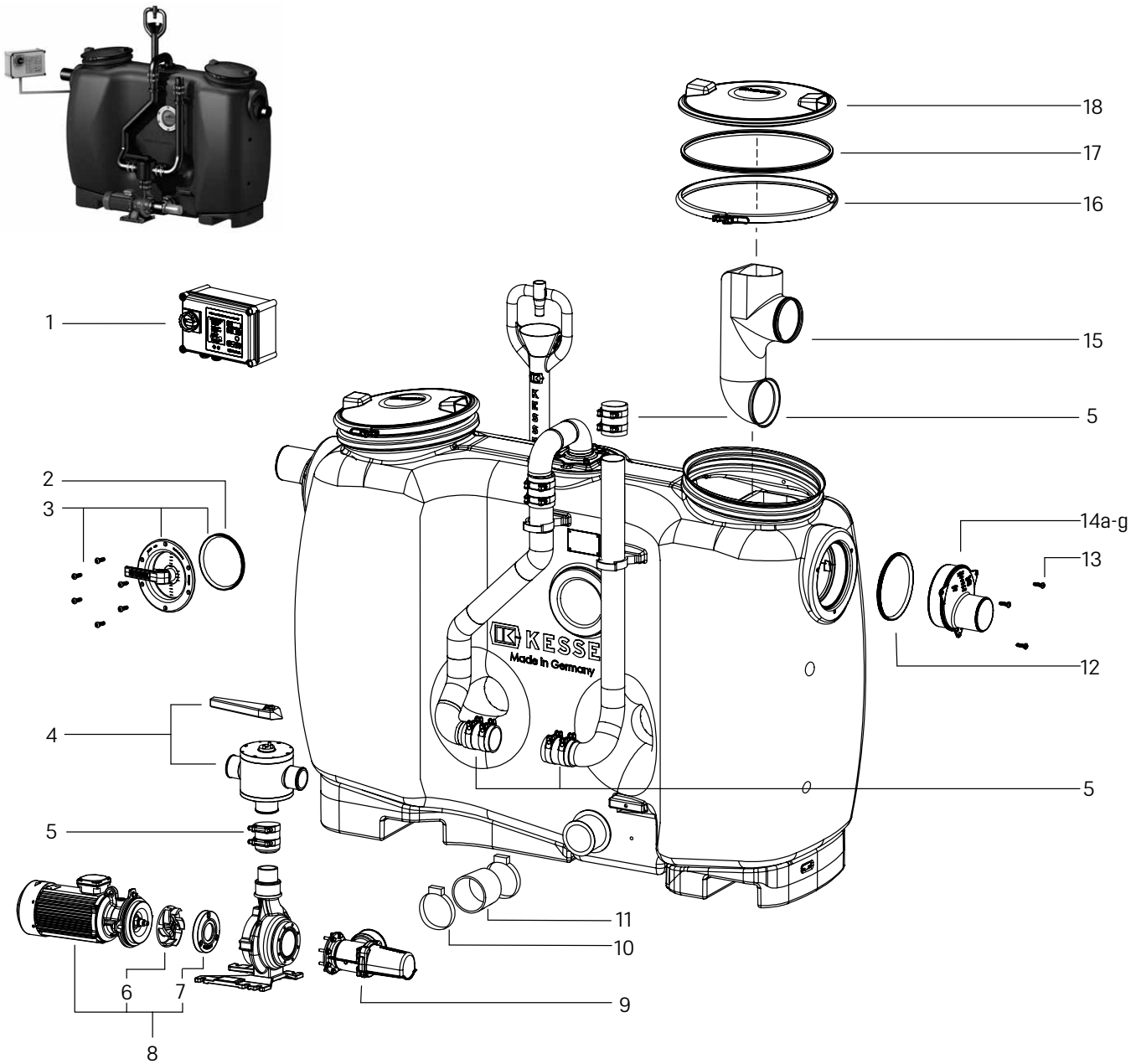
Free-standing set-up, up to model year 09/2013



Item	Designation	Art. no.	Item	Designation	Art. no.
1	Control unit for Mix & Pump 2.6/3.0 and 4.0 kW	680 341	6c	SPF 400 KE, 4.0 kW	680 331
2	Valve, 2-way redistributor, with lever	680 274	6d	SPF 550 KE, 5.5 kW	680 332
3	Adapter for grease separator pump	680 590	7	Flexible coupling Ø 110, for pressure pipes (hose with 2 clamps)	28 663
4	Shut-off valve Ø 110, polymer, horizontal	680 329	8	Inspection window for Euro grease separator	680 589
5a	Radial impeller with cutting plate and agitator for 2.6 kW	917 850	9	Clamp fastener	
5b	Radial impeller with cutting plate and agitator for 3.0 kW	917 854	9a	for cover Ø 420, up to model year 03/2004	680 325
5c	Radial impeller with cutting plate and agitator for 4.0 kW	917 851	9b	for cover Ø 420, beginning model year 04/2004	917 004
5d	Radial impeller with cutting plate and agitator for 5.5 kW	917 852	10	Seal	
5e	Cutting plate for 2.6/4.0 and 5.5 kW	917 853	10a	for cover Ø 420, up to model year 03/2004	680 217
5f	Cutting plate for 3.0 kW	917 855	10b	for cover Ø 420, beginning model year 04/2004	917 204
6	Replacement pump		11	Cover	
6a	SPF 260 KE, 2.6 kW	680 330	11a	Ø 420, up to model year 03/2004	680 326
6b	SPF 300 KE 2.0, homogeniser, 3.0 kW	917 856	11b	Ø 420, beginning model year 04/2004	916 904

Grease separator *EasyClean* free Mix & Pump

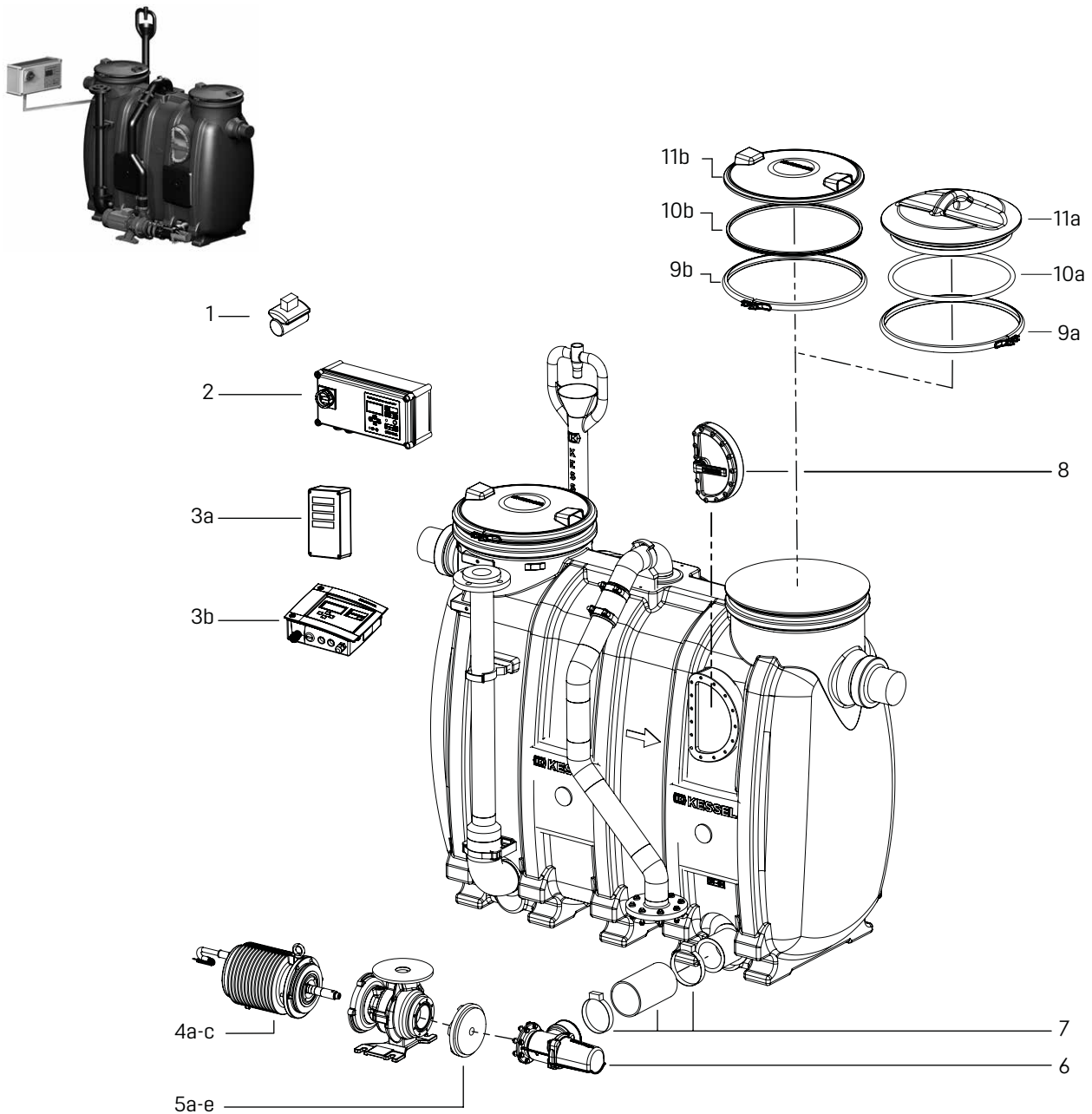
Free-standing set-up, beginning model year 10/2013



Item	Designation	Art. no.	Item	Designation	Art. no.
1	Control unit for Mix & Pump 2.6/3.0 and 4.0 kW	680 341	14	Inlet/outlet for grease separator	
2	Seal Ø 160 for inspection window	680 003	14a	Inlet NS 2 - 4	680 435
3	Inspection window for grease separator, <i>EasyClean</i> , with seal and screws	913 109	14b	Inlet NS 7 - 10	680 436
4	Valve, 2-way redistributor, with lever	680 274	14c	Outlet NS 2	680 437
5	Connection hose with hose clamps, Ø 75, L: 100 mm	680 555	14d	Outlet NS 3	680 890
6	Radial impeller with cutting plate and agitator for 3.0 kW	917 854	14e	Outlet NS 4	680 437
7	Cutting plate for 3.0 kW	917 855	14f	Outlet NS 7	680 891
8	Replacement pump SPF 300 KE 2.0, homogeniser, 3.0 kW	917 856	14g	Outlet NS 10	680 438
9	Shut-off valve Ø 110, polymer, horizontal	680 329	15	Inlet/outlet structure for grease separator NS 2 - 10	680 439
10	Hose clamp Ø 110	680 126	16	Clamp fastener for cover 420 mm, beginning model year 04/2004	917 004
11	Connection hose Ø 110, L: 100 mm	680 434	17	Seal for cover Ø 420, beginning model year 04/2004	917 204
12	Seal for inlet/outlet connection, Ø 200	680 128	18	Cover Ø 420, beginning model year 04/2004	916 904
13	Screw 10×3, A2	680 164			

Grease separator Euro "D+S-P1"

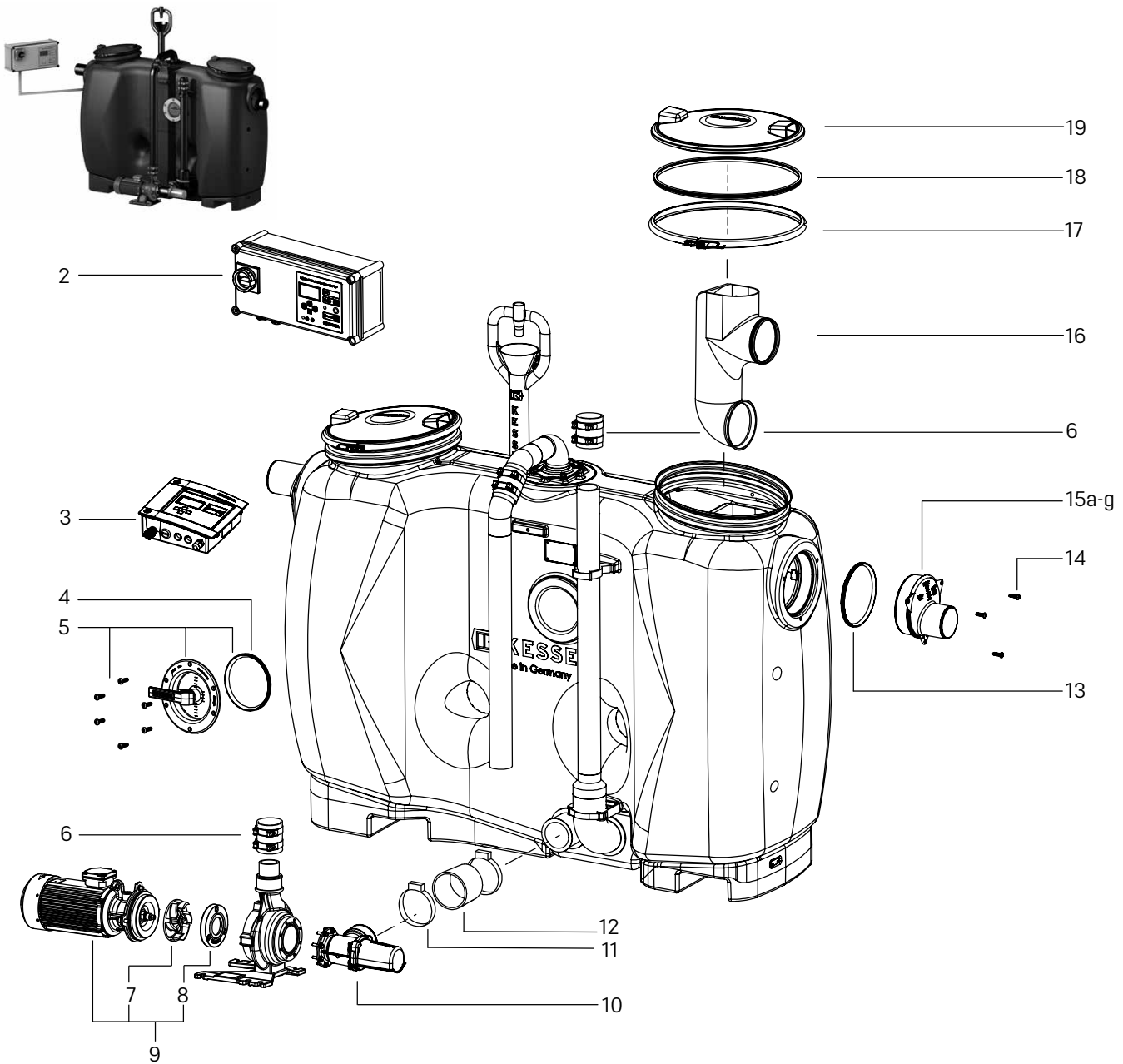
Free-standing set-up, up to model year 09/2013



Item	Designation	Art. no.	Item	Designation	Art. no.
1	Solenoid valve 1 inch (1 ea.)	85 047	5e	Cutting plate for 3.0 kW	917 855
2	Control unit Auto Mix, 4.0 kW	680 343	6	Shut-off valve Ø 110, polymer, horizontal	28 683
3	<i>RemoteControl</i>		7	Flexible coupling Ø 110, for pressure pipes (hose with 2 clamps)	28 663
3a	up to model year 05/2011	on request	8	Inspection window for Euro grease separator	680 589
3b	beginning model year 06/2011	916 601	9	Clamp fastener	
4	Replacement pump		9a	for cover Ø 420, up to model year 03/2004	680 325
4a	SPF 260 KE, 2.6 kW	680 330	9b	for cover Ø 420, beginning model year 04/2004	917 004
4b	SPF 300 KE 2.0, homogeniser, 3.0 kW	917 856	10	Seal	
4c	SPF 400 KE, 4.0 kW	680 331	10a	for cover Ø 420, up to model year 03/2004	680 217
5a	Radial impeller with cutting plate and agitator for 2.6 kW	917 850	10b	for cover Ø 420, beginning model year 04/2004	917 204
5b	Radial impeller with cutting plate and agitator for 3.0 kW	917 854	11	Cover	
5c	Radial impeller with cutting plate and agitator for 4.0 kW	917 851	11a	Ø 420, up to model year 03/2004	680 326
5d	Cutting plate for 2.6/4.0 and 5.5 kW	917 853	11b	Ø 420, beginning model year 04/2004	916 904

Grease separator *EasyClean* free Auto Mix

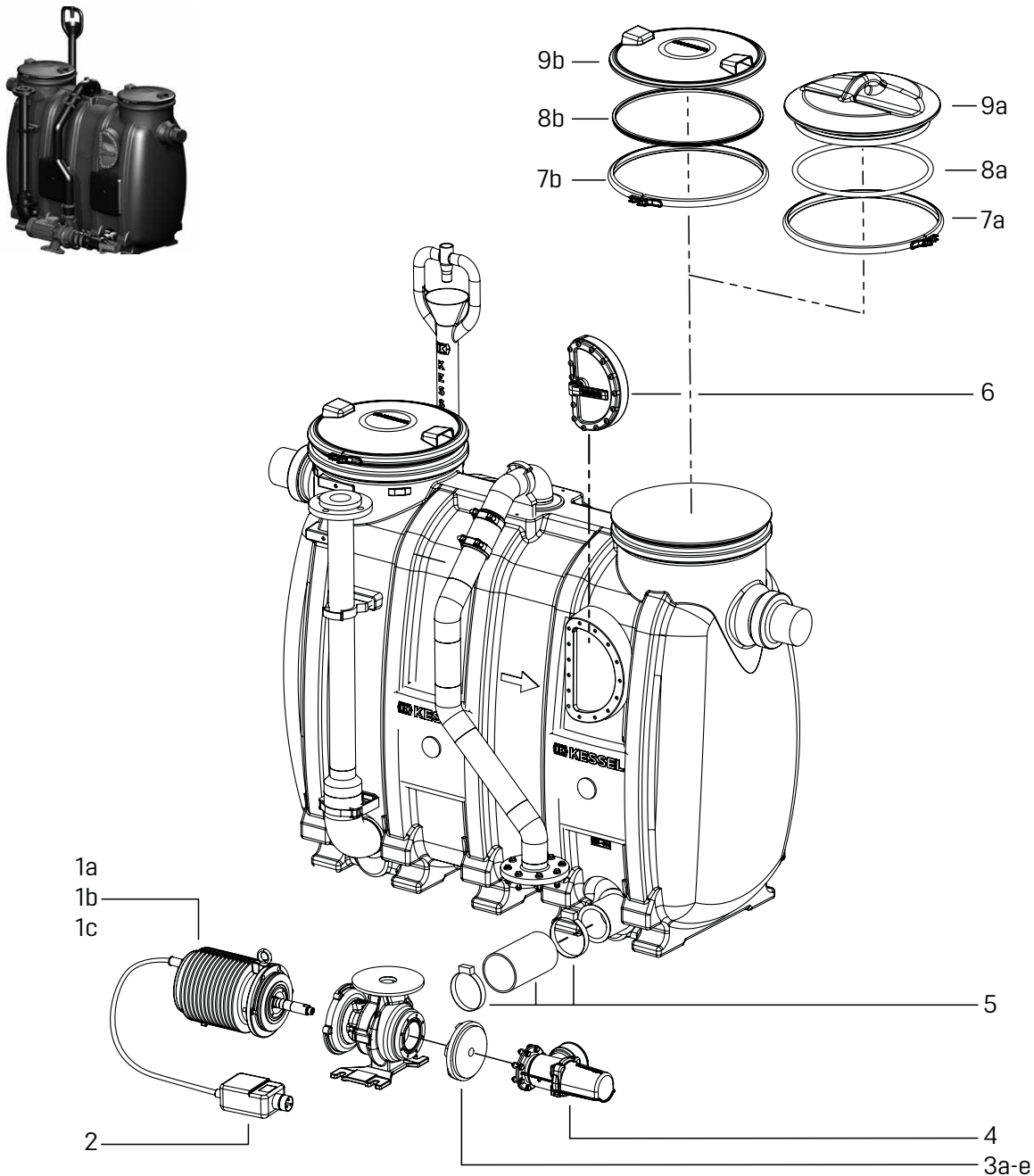
Free-standing set-up, beginning model year 10/2013



Item	Designation	Art. no.	Item	Designation	Art. no.
1	Solenoid valve 1 inch (1 ea.)	85 047	14	Screw 10×3, A2	680 164
2	Control unit Auto Mix, 4.0 kW	680 343	15	Inlet/outlet for grease separator	
3	RemoteControl	916 601	15a	Inlet NS 2 - 4	680 435
4	Seal Ø 160 for inspection window	680 003	15b	Inlet NS 7 - 10	680 436
5	Inspection window for grease separator, <i>EasyClean</i> , with seal and screws	913 109	15c	Outlet NS 2	680 437
6	Connection hose with hose clamps, Ø 75, L: 100 mm	680 555	15d	Outlet NS 3	680 890
7	Radial impeller with cutting plate and agitator for 3.0 kW	917 854	15e	Outlet NS 4	680 437
8	Cutting plate for 3.0 kW	917 855	15f	Outlet NS 7	680 891
9	Replacement pump SPF 300 KE 2.0, homogeniser, 3.0 kW	917 856	15g	Outlet NS 10	680 438
10	Shut-off valve Ø 110, polymer, horizontal	680 329	16	Inlet/outlet structure for grease separator NS 2 - 10	680 439
11	Hose clamp Ø 110	680 126	17	Clamp fastener for cover 420 mm, beginning model year 04/2004	917 004
12	Connection hose Ø 110, L: 100 mm	680 434	18	Seal for cover Ø 420, beginning model year 04/2004	917 204
13	Seal for inlet/outlet connection, Ø 200	680 128	19	Cover Ø 420, beginning model year 04/2004	916 904

Grease separator Euro "D+S"

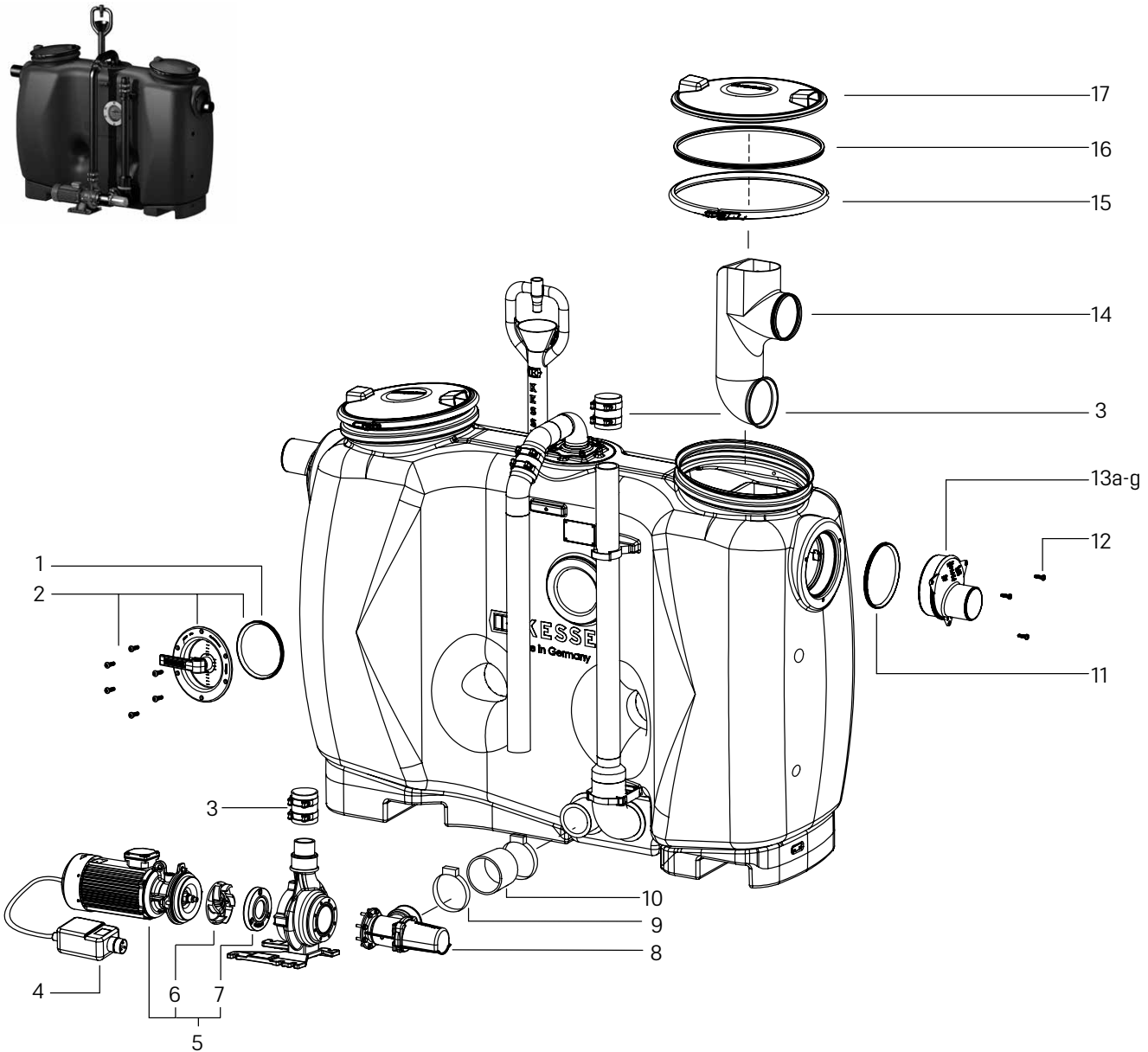
Free-standing set-up, up to model year 09/2013



Item	Designation	Art. no.	Item	Designation	Art. no.
1	Replacement pump		5	Flexible coupling Ø 110, for pressure pipes (hose with 2 clamps)	28 663
1a	SPF 260 KE, 2.6 kW	680 330	6	Inspection window for Euro grease separator	680 589
1b	SPF 400 KE, 4.0 kW	680 331	7	Clamp fastener	
1c	SPF 300 KE 2.0 homogeniser, 3.0 kW	917 856	7a	for cover Ø 420, up to model year 03/2004	680 325
2	CEE motor protection plug for 4 - 6.3 A	680 328	7b	for cover Ø 420, beginning model year 04/2004	917 004
3a	Radial impeller with cutting plate and agitator for 2.6 kW	917 850	8	Seal	
3b	Radial impeller with cutting plate and agitator for 3.0 kW	917 854	8a	for cover Ø 420, up to model year 03/2004	680 217
3c	Radial impeller with cutting plate and agitator for 4.0 kW	917 851	8b	for cover Ø 420, beginning model year 04/2004	917 204
3d	Cutting plate for 2.6/4.0 and 5.5 kW	917 853	9	Cover	
3e	Cutting plate for 3.0 kW	917 855	9a	Ø 420, up to model year 03/2004	680 326
4	Shut-off valve Ø 110, polymer, horizontal	28 683	9b	Ø 420, beginning model year 04/2004	916 904

Grease separator *EasyClean* free Mix

Free-standing set-up, beginning model year 10/2013

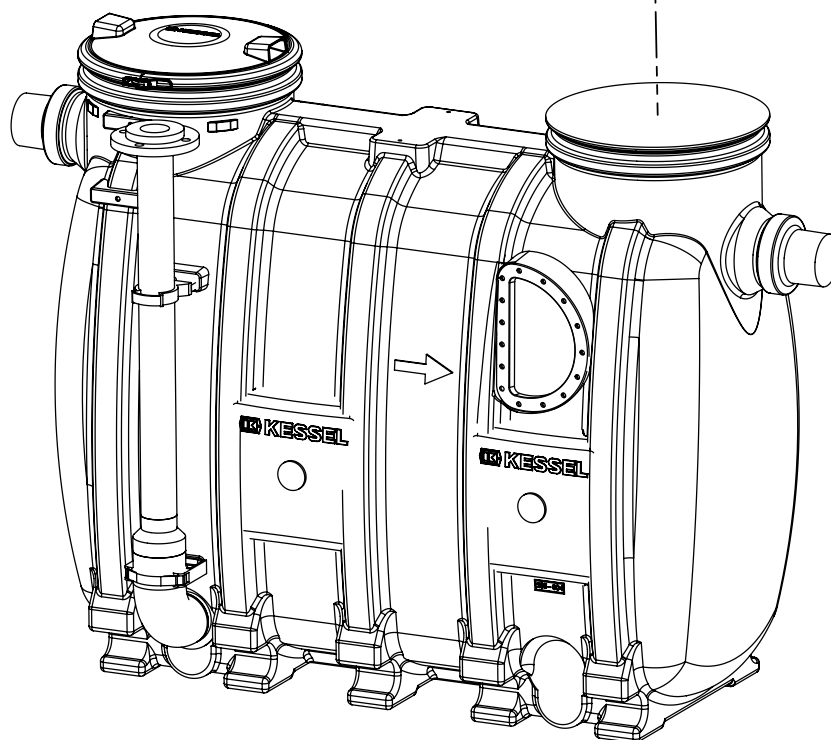
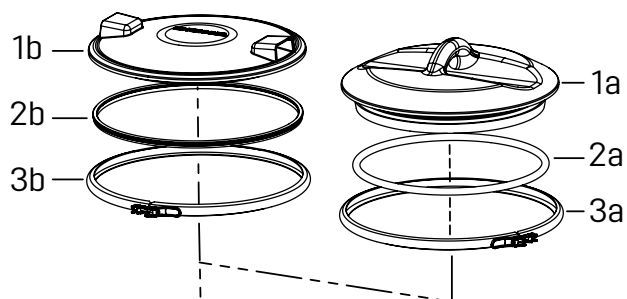


Item	Designation	Art. no.
1	Seal Ø 160 for inspection window	680 003
2	Inspection window for grease separator, <i>EasyClean</i> , with seal and screws	913 109
3	Connection hose with hose clamps, Ø 75, L: 100 mm	680 555
4	CEE motor protection plug for 4 - 6.3 A	680 328
5	Replacement pump SPF 300 KE 2.0, homogeniser, 3.0 kW	917 856
6	Radial impeller with cutting plate and agitator for 3.0 kW	917 854
7	Cutting plate for 3.0 kW	917 855
8	Shut-off valve Ø 110, polymer, horizontal	680 329
9	Hose clamp Ø 110	680 126
10	Connection hose Ø 110, L: 100 mm	680 434
11	Seal for inlet/outlet connection, Ø 200	680 128
12	Screw 10×3, A2	680 164

Item	Designation	Art. no.
13	Inlet/outlet for grease separator	
13a	Inlet NS 2 - 4	680 435
13b	Inlet NS 7 - 10	680 436
13c	Outlet NS 2	680 437
13d	Outlet NS 3	680 890
13e	Outlet NS 4	680 437
13f	Outlet NS 7	680 891
13g	Outlet NS 10	680 438
14	Inlet/outlet structure for grease separator NS 2 - 10	680 439
15	Clamp fastener for cover 420 mm, beginning model year 04/2004	917 004
16	Seal for cover Ø 420, beginning model year 04/2004	917 204
17	Cover Ø 420, beginning model year 04/2004	916 904

Grease separator Euro D and G

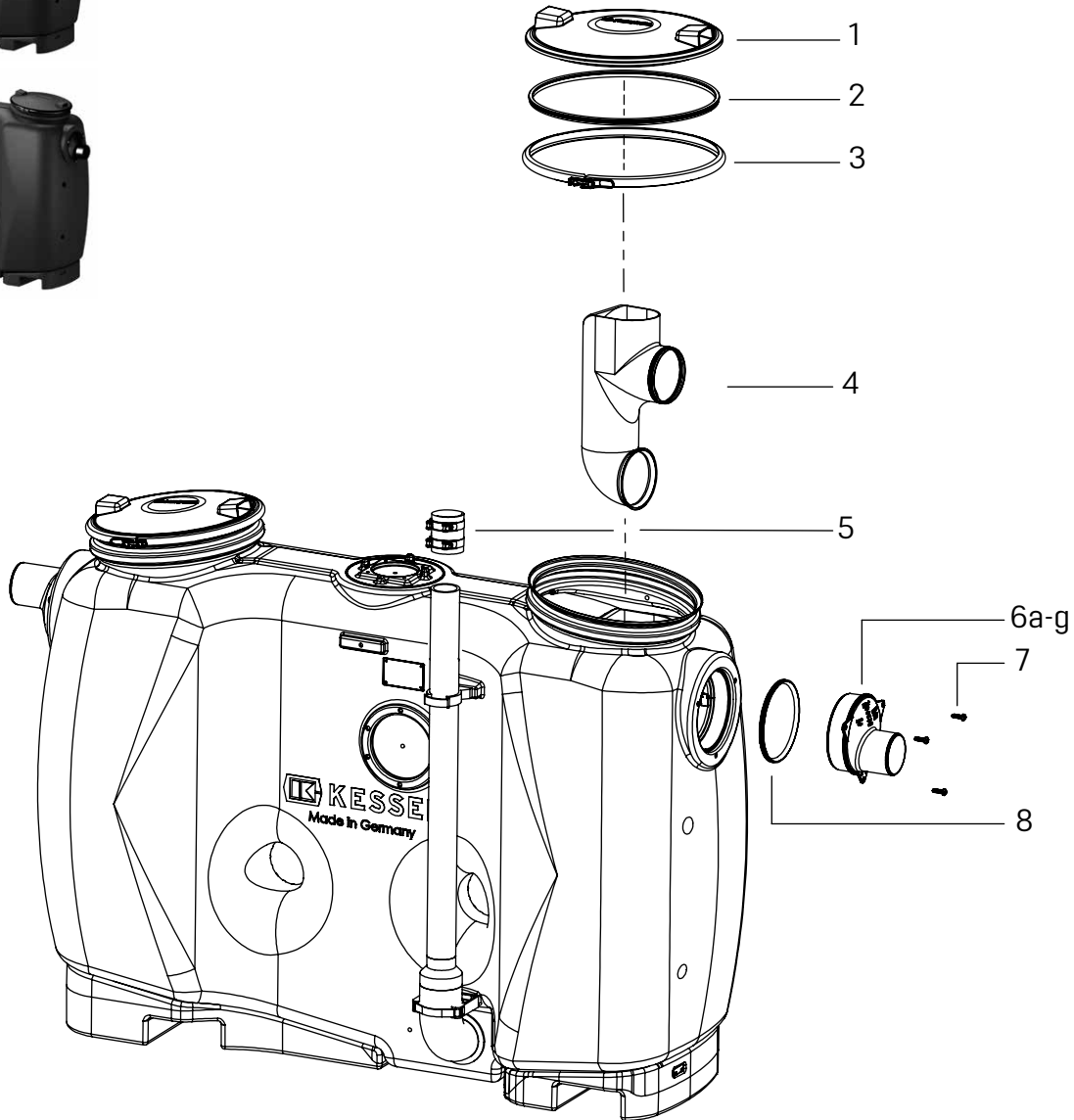
Free-standing set-up, up to model year 09/2013



Item	Designation	Art. no.	Item	Designation	Art. no.
1	Cover		2b	for cover Ø 420, beginning model year 04/2004	917 204
1a	Ø 420, up to model year 03/2004	680 326	3	Clamp fastener	
1b	Ø 420, beginning model year 04/2004	916 904	3a	for cover Ø 420, up to model year 03/2004	680 325
2	Seal		3b	for cover Ø 420, beginning model year 04/2004	917 004
2a	for cover Ø 420, up to model year 03/2004	680 217			

Grease separator *EasyClean* free Direct and Standard

Free-standing set-up, beginning model year 10/2013

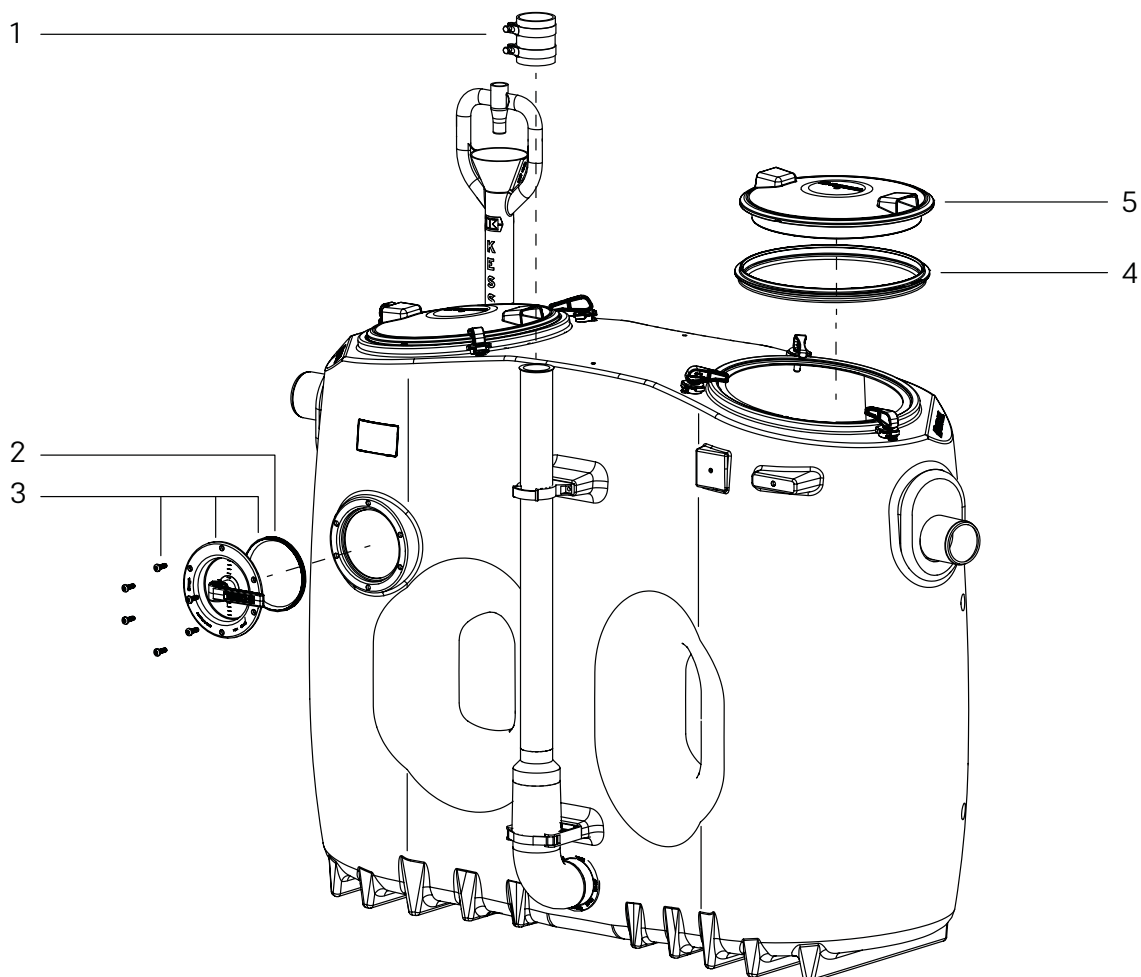


Item	Designation	Art. no.
1	Cover Ø 420, beginning model year 04/2004	916 904
2	Seal for cover Ø 420, beginning model year 04/2004	917 204
3	Clamp fastener for cover 420 mm, beginning model year 04/2004	917 004
4	Inlet/outlet structure for grease separator NS 2 - 10	680 439
5	Connection hose with hose clamps, Ø 75, L: 100 mm	680 555
6	Inlet/outlet for grease separator	
6a	Inlet NS 2 - 4	680 435
6b	Inlet NS 7 - 10	680 436

Item	Designation	Art. no.
6c	Outlet NS 2	680 437
6d	Outlet NS 3	680 890
6e	Outlet NS 4	680 437
6f	Outlet NS 7	680 891
6g	Outlet NS 10	680 438
7	Screw 10×3, A2	680 164
8	Seal for inlet/outlet connection, Ø 200	680 128

Grease separator *EasyClean* free Basic

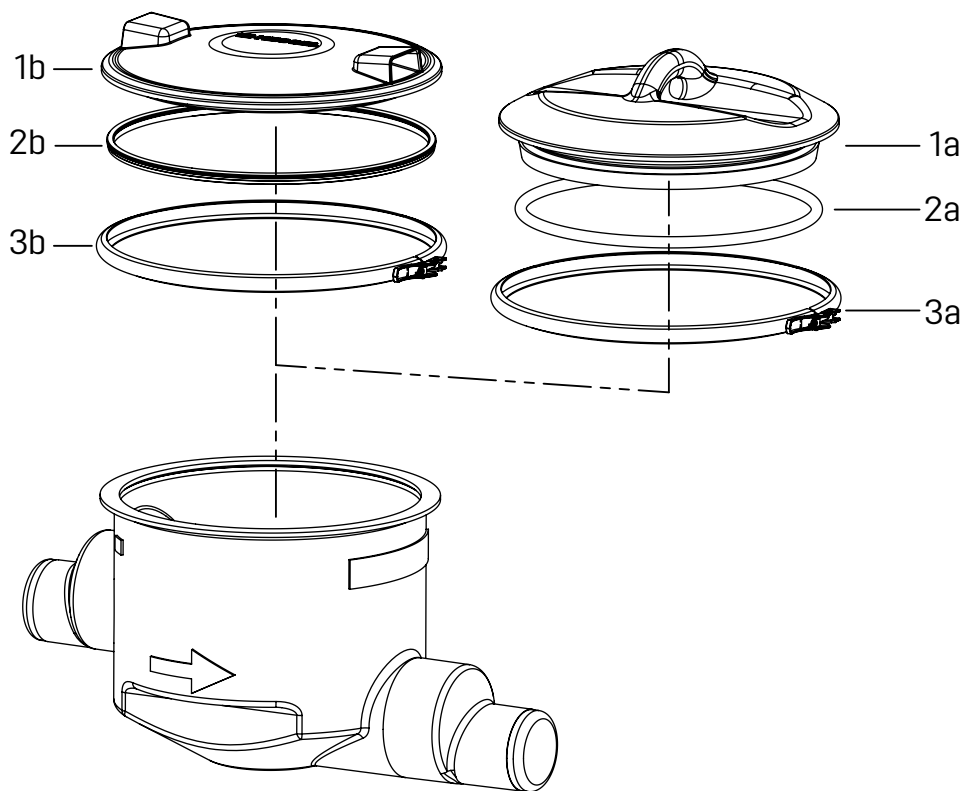
Free-standing set-up, beginning model year 10/2019



Item	Designation	Art. no.	Item	Designation	Art. no.
1	Connection hose with hose clamps, Ø 75, L: 100 mm	680 555	4	Seal for <i>EasyClean</i> free Basic	680 950
2	Seal Ø 160 for inspection window	680 003	5	Cover Ø 420	916 904
3	Inspection window for grease separator, <i>EasyClean</i> , with seal and screws	913 109			

Sampling chamber Ø 400 and Ø 450

Free-standing set-up

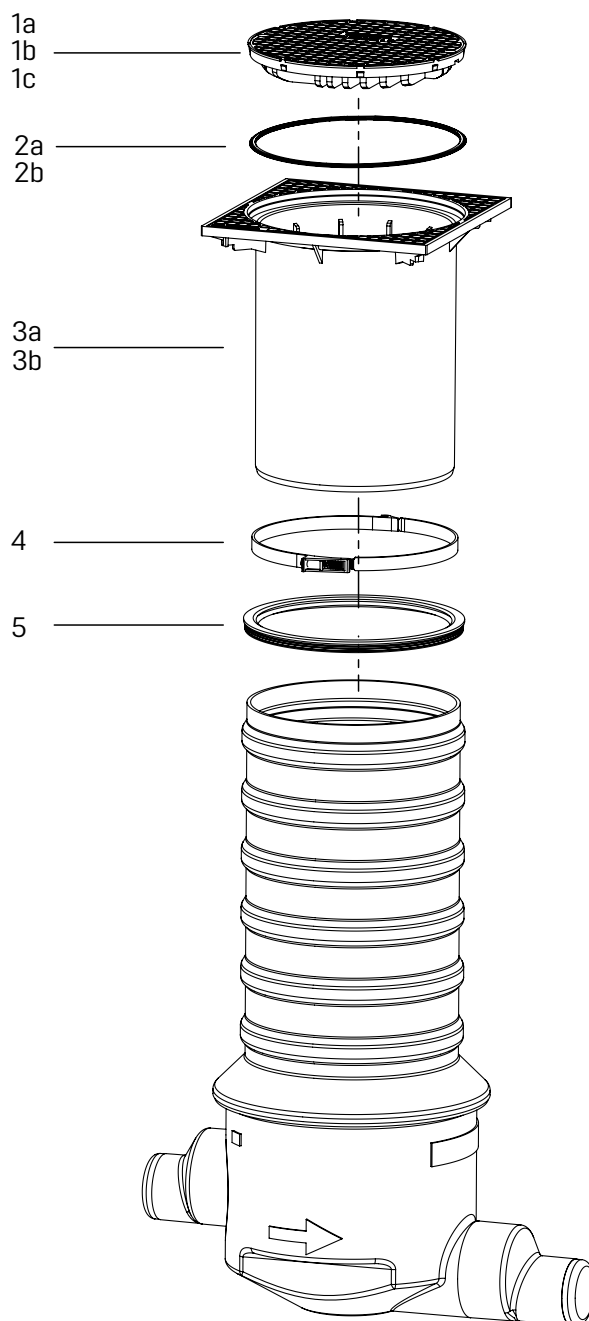


Item	Designation	Art. no.
1	Cover	
1a	Ø 420, up to model year 03/2004	680 326
1b	Ø 420, beginning model year 04/2004	916 904
2	Seal	
2a	for cover Ø 420, up to model year 03/2004	680 217

Item	Designation	Art. no.
2b	for cover Ø 420, beginning model year 04/2004	917 204
3	Clamp fastener	
3a	for cover Ø 420, up to model year 03/2004	680 325
3b	for cover Ø 420, beginning model year 04/2004	917 004

Sampling chamber Ø 400 and Ø 450

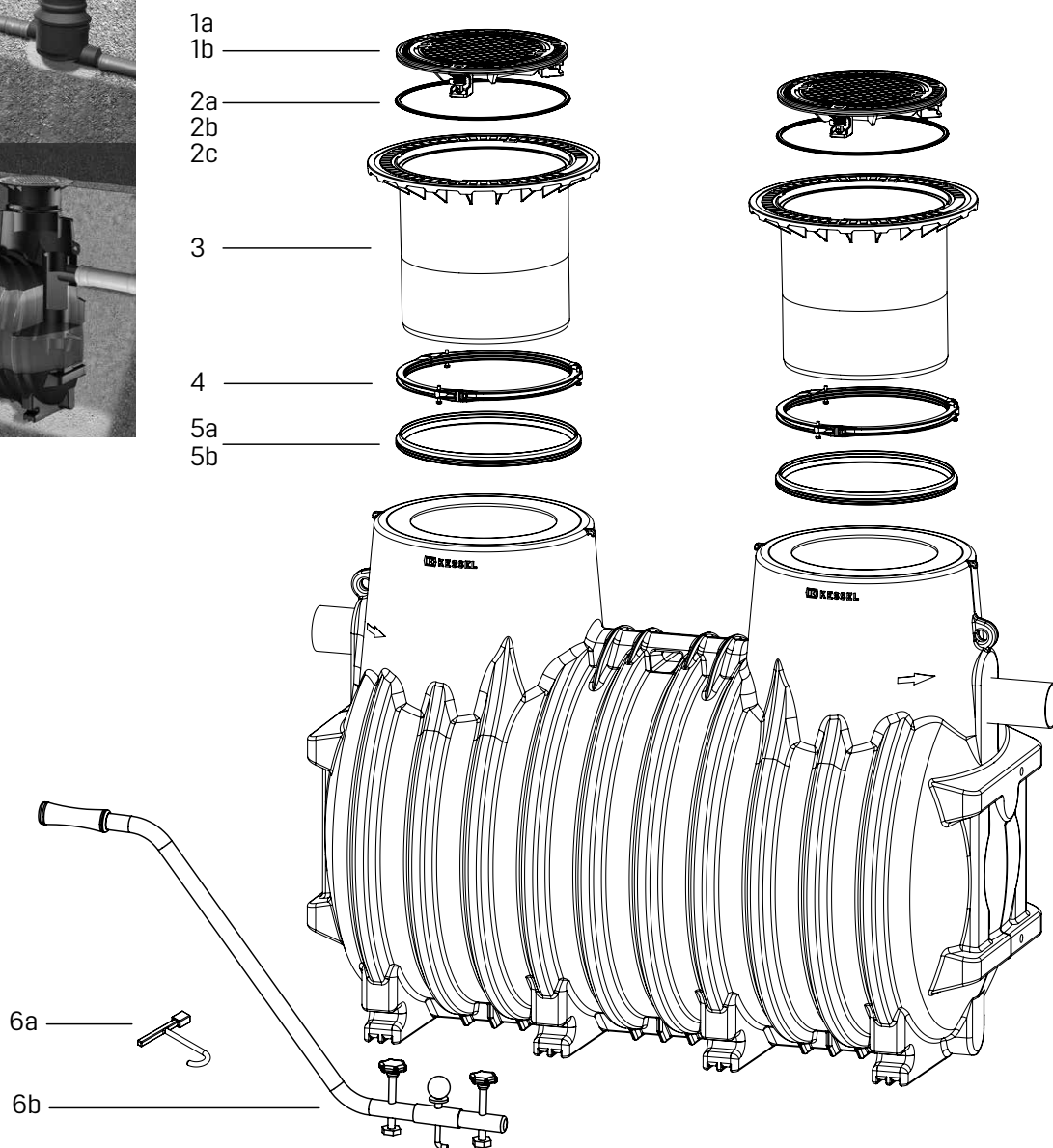
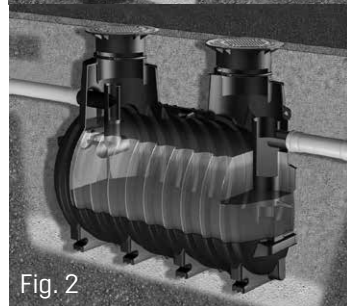
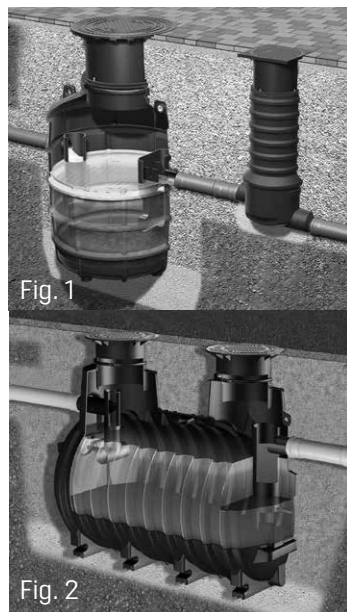
For underground installation



Item	Designation	Art. no.	Item	Designation	Art. no.
1	Cover plate		2b	for class D	680 316
1a	class A, with seal	680 312	3	Upper section	
1b	class B, with seal	680 553	3a	for class A and B, height adjustable	850 120
1c	class D, grey cast iron	680 313	3b	for class D, height adjustable	850 121
2	Seal for cover plate		4	Clamping ring for chamber system Ø 400	680 314
2a	for class A and B	680 058	5	Seal for chamber system Ø 400	680 315

Grease separator *EasyClean* ground Standard NS 1 - 35

For underground installation

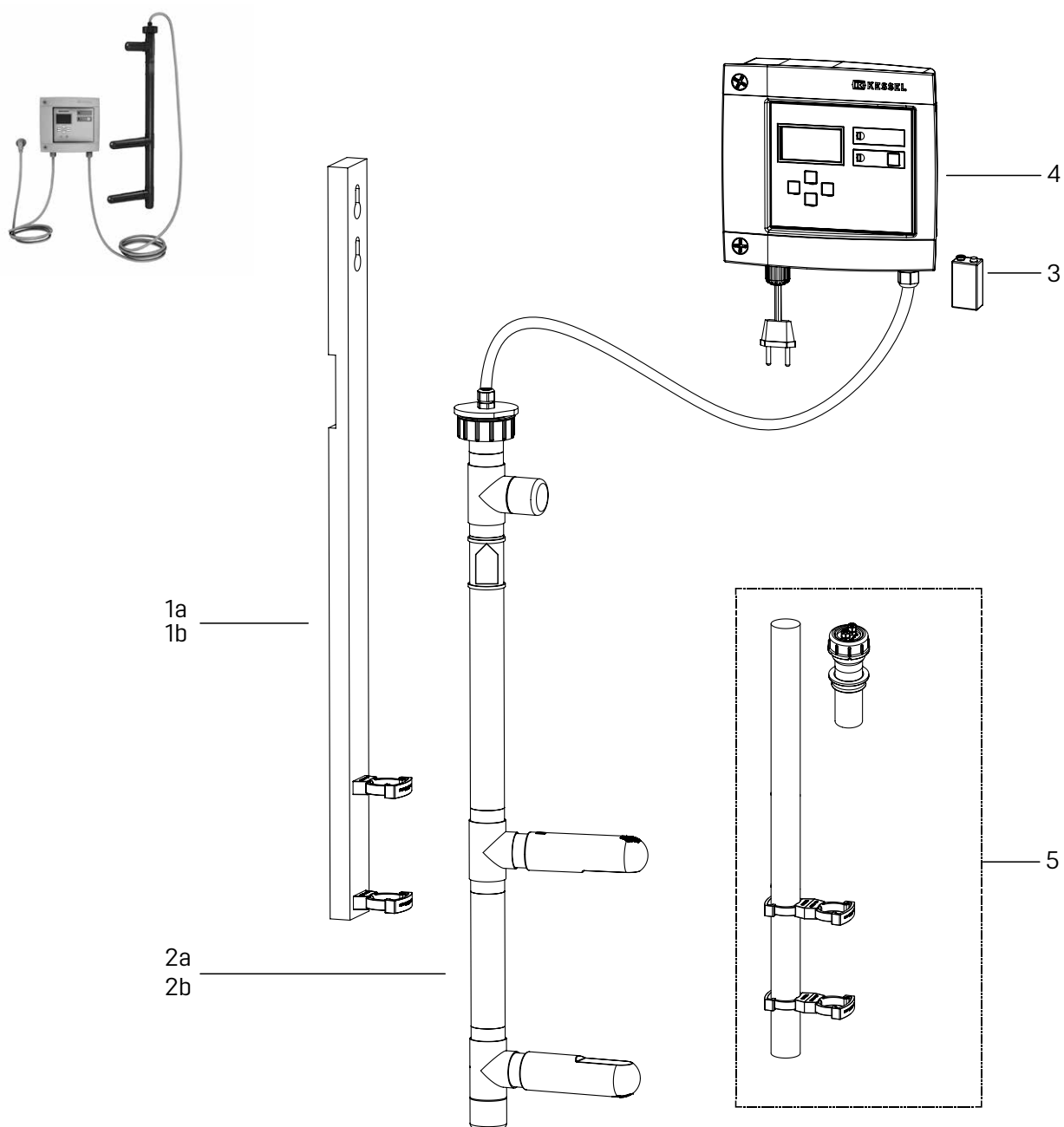


Item	Designation	Art. no.
1	Cover plate made of grey cast iron, incl. seal	
1a	class A/B, surface water resistant	860 119
1b	class D	916 803
2	Seal	
2a	for screwed cover, up to model year 2003	917 101
2b	for cover Ø 625 mm, beginning model year 2004	917 201
2c	for lockable cover, beginning model year 2010	680 323
3	upper section Ø 630, surface water resistant	680 324

Item	Designation	Art. no.
4	Clamping ring for upper section Ø 600	680 276
5	Seal	
5a	for chamber system (Fig. 1) current version up to NS 4: for cistern (Figure 2) NS 7 - 35, up to model year 12/2014	860 116
5b	Ø 630 mm, for cistern (Fig. 2) NS 7 - 35, beginning model year 01/2015	860 104
6a	Removal key for cover plates	680 278
6b	Lifting tool, Goliath, for chamber cover plates	917 112

Grease layer thickness measuring device *SonicControl*

For installation in a grease separator



Item	Designation	Art. no.	Item	Designation	Art. no.
1	Bracket, <i>SonicControl</i> grease separator		2b	beginning model year 10/2011 (sensor),	680 348
1a	with clips, up to model year 09/2011	917 837	3	Battery, 9 V block	680 034
1b	with clips, beginning model year 10/2011	680 350	4	Control unit <i>SonicControl</i>	680 349
2	Layer thickness measuring device <i>SonicControl</i> for grease separator		5	Installation bracket for <i>SonicControl</i> in underground grease separators	917 823
2a	up to model year 09/2011 (sensor + control unit), 10 m cable, 230 V	917 821			

Oil/fuel and coalescence separator *EasyOil* ground

For underground installation



Fig. 1

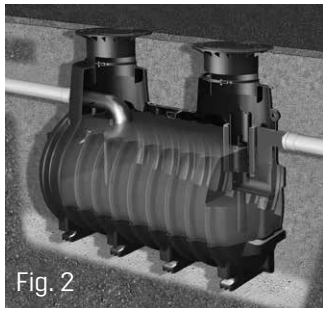
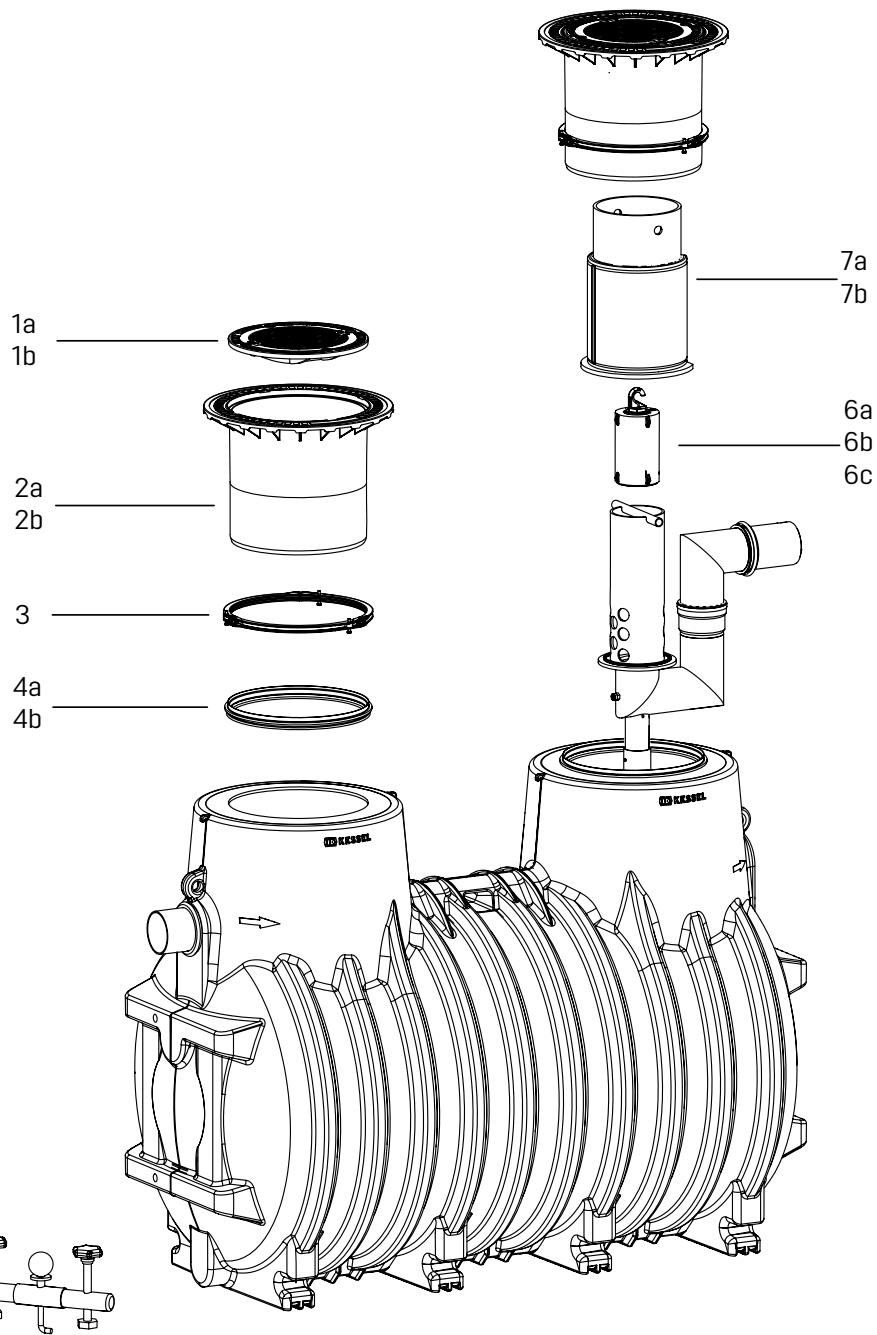


Fig. 2

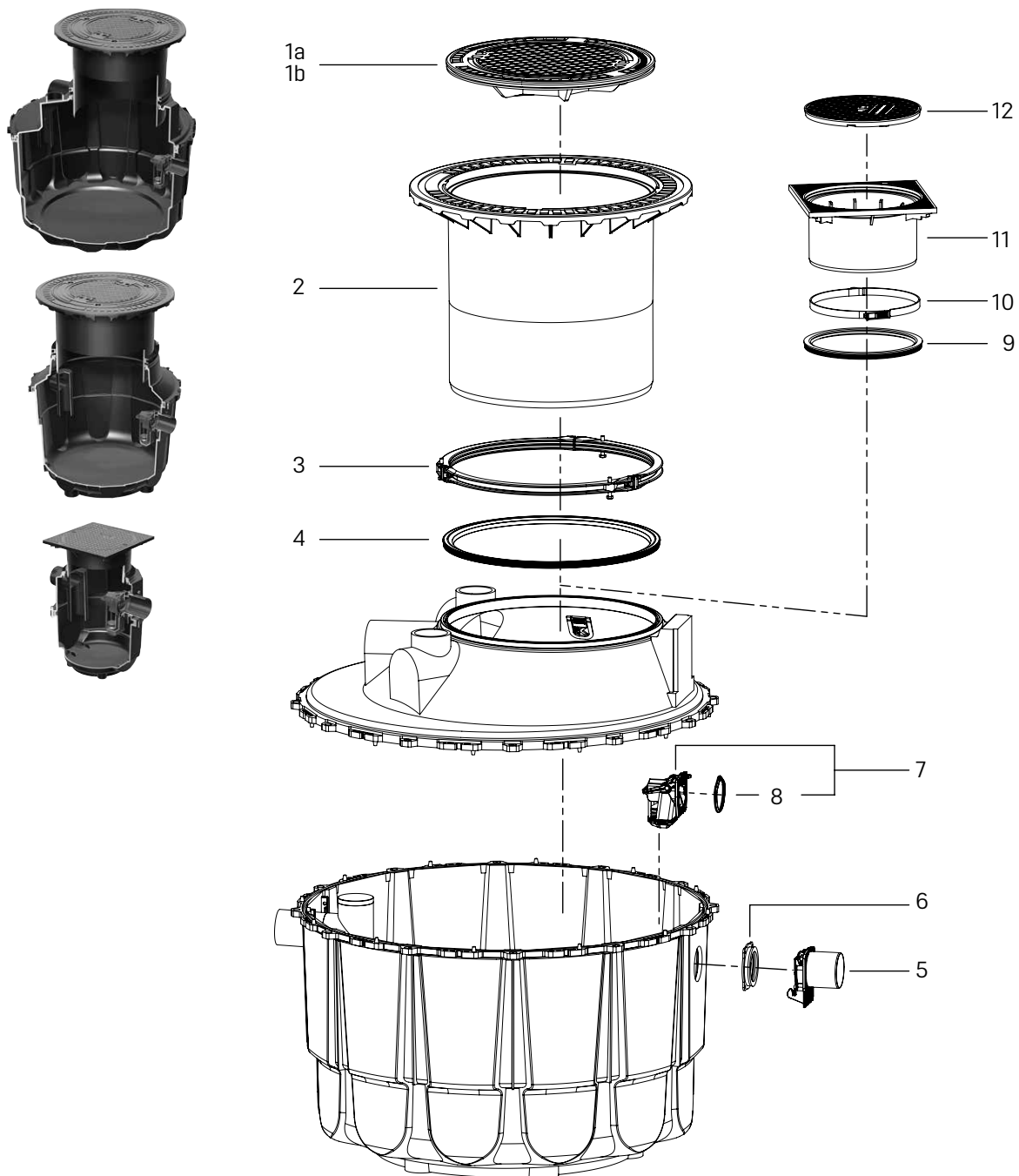


Item	Designation	Art. no.
1	Cover plate made of grey cast iron	
1a	class A/B, unlocked	680 321
1b	class D, unlocked	680 322
2	Upper section	
2a	class B, Ø 630, surface water resistant	680 324
2b	class D, Ø 630, with clamping ring	860 141
3	Clamping ring for upper section, Ø 600	680 276
4	Lip seal	
4a	for chamber system (Fig. 1) current version up to NS 4: for cistern (Figure 2) NS 7 - 35, up to model year 12/2014	860 116

Item	Designation	Art. no.
4b	Ø 630, for cistern (Figure 2) NS 7 - 35, beginning model year 01/2015	860 104
5a	Lifting tool, Goliath, for chamber cover plates	917 112
5b	Removal key for cover plates	680 278
6	Floater	
6a	with density 0.97 g/cm ³	680 299
6b	with density 0.92 g/cm ³ (standard)	680 300
6c	with density 0.87 g/cm ³	680 301
7	Coalescence filter	
7a	for cisterns (Figure 2)	917 805
7b	for chambers (Figure 1)	917 816

Oil/fuel and coalescence separator *EasyOil* ground

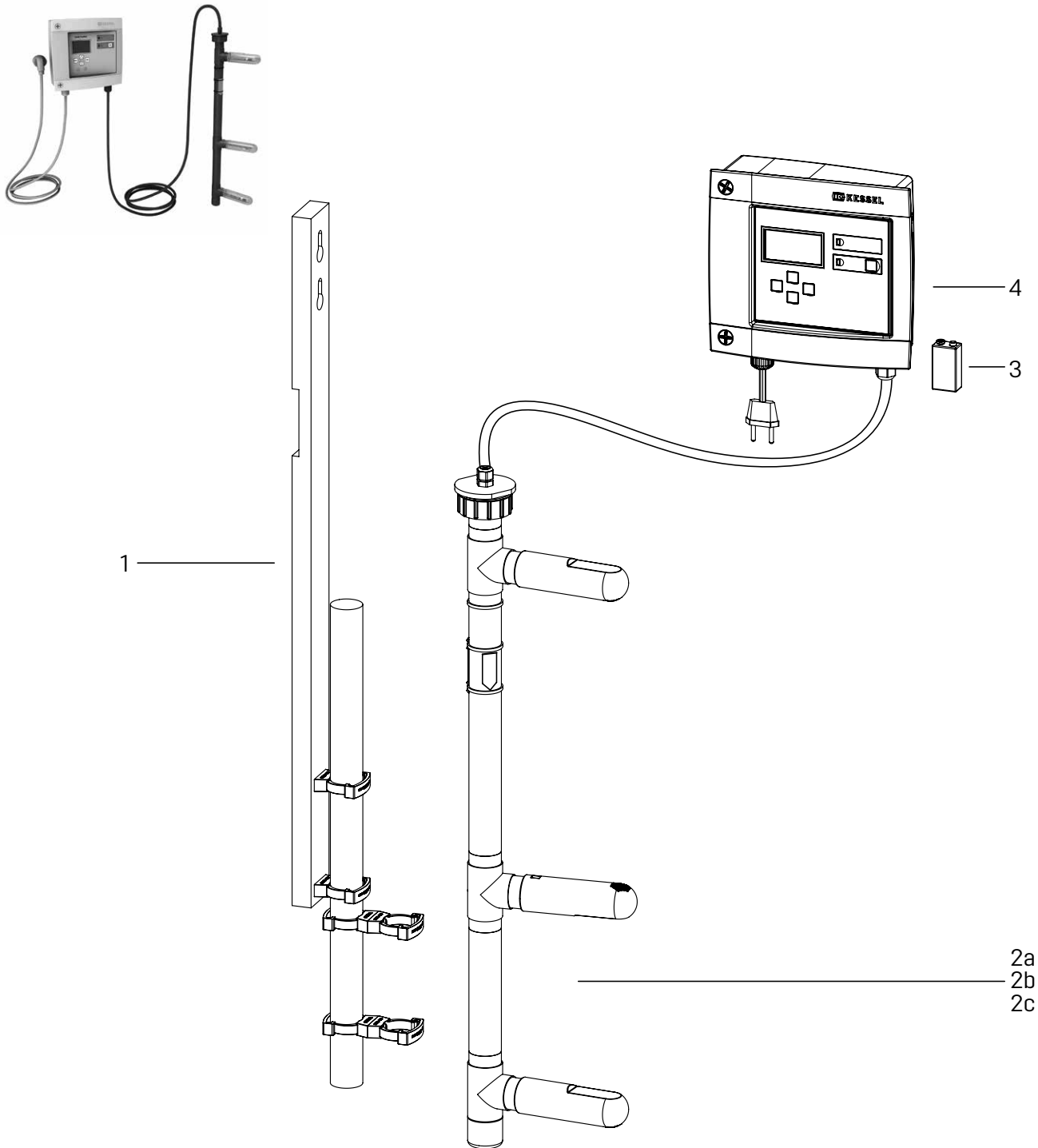
For underground installation



Item	Designation	Art. no.	Item	Designation	Art. no.
1	Cover plate made of grey cast iron		6	Seal for outlet connection	680 335
1a	class A/B, unlocked	680 321	7	Outlet structure for oil/fuel separator NS 1.5, incl. seal	680 333
1b	class D with seal	916 803	8	Lip seal Ø 117	680 280
2	Upper section, surface water resistant, made of polymer	860 141	9	Seal, oil resistant, Ø 468 mm	680 336
3	Clamping ring for upper section, Ø 600	680 276	10	Clamping ring for upper section, for chamber system Ø 400	680 314
4	Seal for upper section Ø 600	680 277	11	Upper section for Ø 400, with clamping ring	680 311
5	Adapter plate with socket	680 334	12	Cover plate, class B, grey cast iron, unlocked, Ø 400	680 317

Automatic measuring device *SonicControl*

For installation in a light liquid separator



Item	Designation	Art. no.
1	Bracket for <i>SonicControl</i> , incl. pipe, clips and installation and operating instructions	917 836
2	Sensor <i>SonicControl</i> for light liquid separator for measurement of:	
2a	OA (oil layer and backwater)	917 842
2b	O (oil layer)	917 844
2c	A (backwater)	917 846

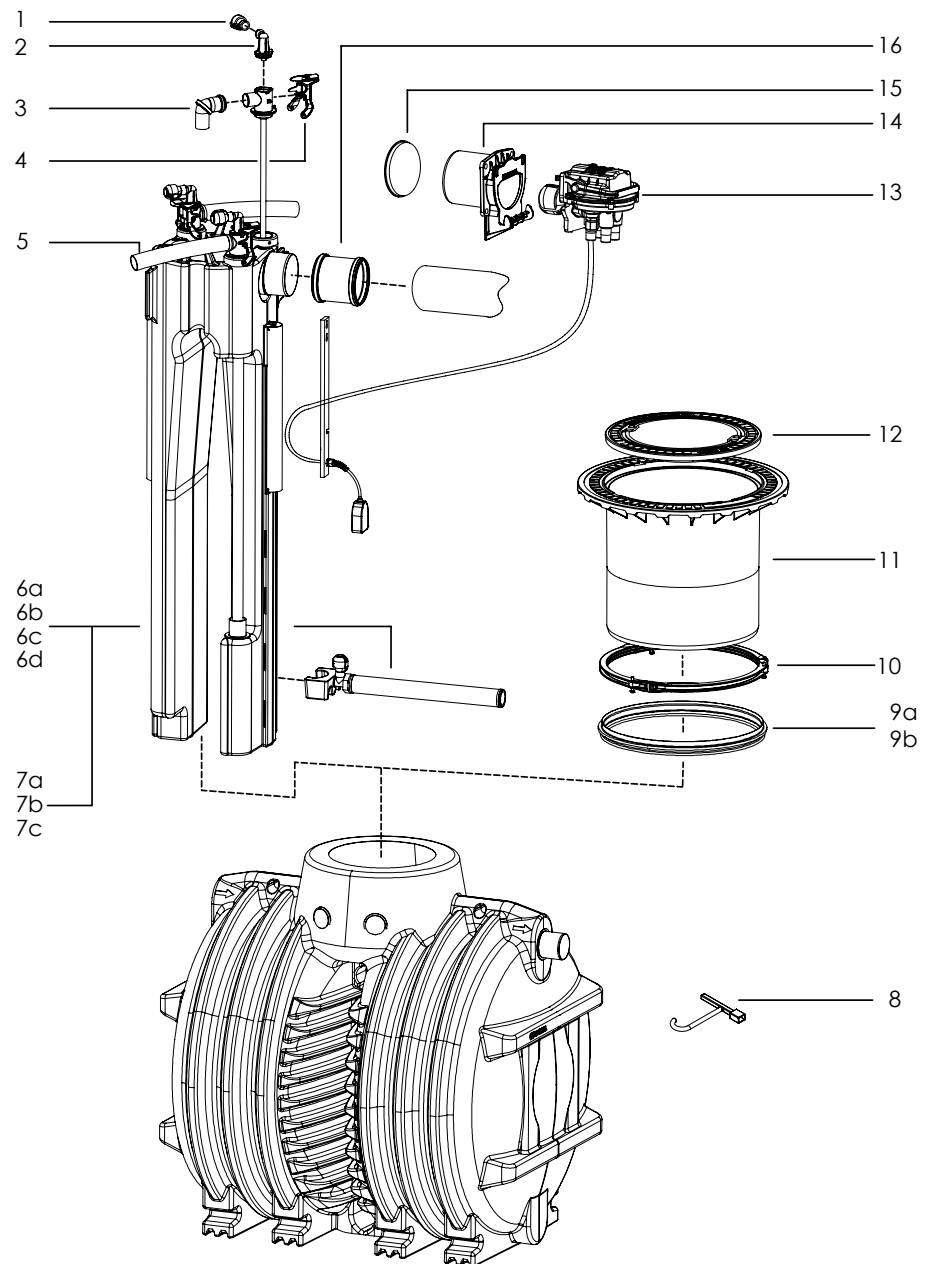
Item	Designation	Art. no.
3	Battery, 9 V block	680 034
4	Control unit <i>SonicControl</i> for light liquid separator	680 347

6. Septic systems

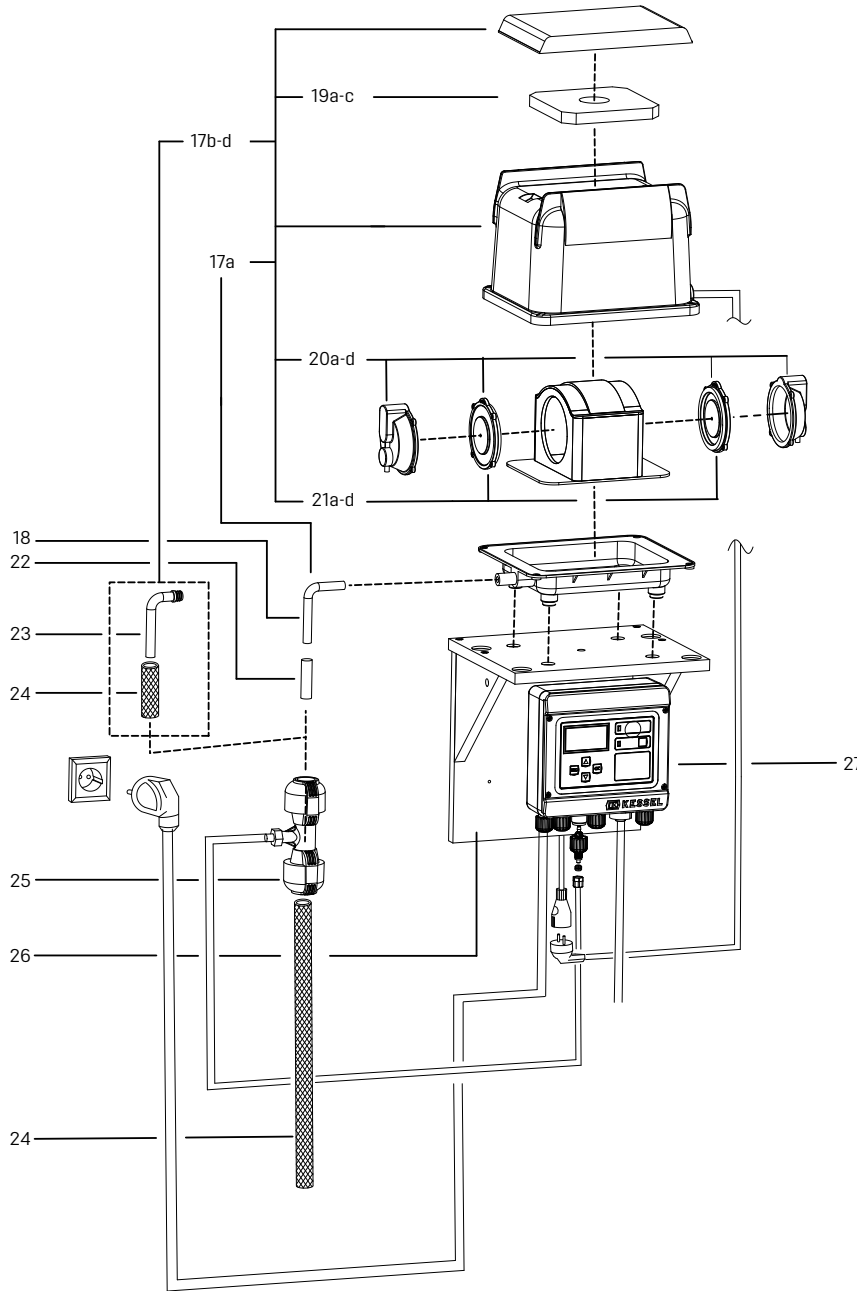
<i>InnoClean PLUS</i> , 2nd generation	150
<i>InnoClean</i> , 1st generation	152
Renovation/retrofit kit	154

InnoClean PLUS, 2nd generation

Installation in the ground, beginning model year 2010



Item	Designation	Art. no.	Item	Designation	Art. no.
1	Connector for <i>InnoClean PLUS</i>	680 567	7c	Length 1370 mm	680 564
2	Air connection bend for <i>InnoClean PLUS</i>	680 181	8	Removal key for <i>InnoClean PLUS</i> cover plate	915 595
3	HTK bend Ø 50	63 050	9	Lip seal	
4	Dual closure lever, <i>InnoClean PLUS</i>	680 139	9a	up to model year 12/2014	860 116
5	Spiral hose Ø 50 mm (bulk goods)	680 073	9b	beginning model year 01/2015	860 104
6	Aeration pipe for <i>InnoClean PLUS</i> with purification tower		10	Clamping ring, upper section Ø 600	680 276
6a	Length 620 mm	680 140	11	Upper section Ø 630, surface water resistant	680 324
6b	Length 820 mm	680 141	12	Cover plate A/B, grey cast iron, non-bolted	860 130
6c	Length 1170 mm	680 158	13	Valve block with float switch	680 161
6d	Length 1370 mm	680 160	14	Adapter plate with socket	680 334
7	Aeration pipe for <i>InnoClean PLUS</i> without purification tower (EW 18 - 50)		15	Temporary protective cover for adapter plate	680 213
7a	Length 820 mm	680 562	16	Slip-on sleeve Ø 160	680 166
7b	Length 1170 mm	680 563	17	Diaphragm compressor, complete	

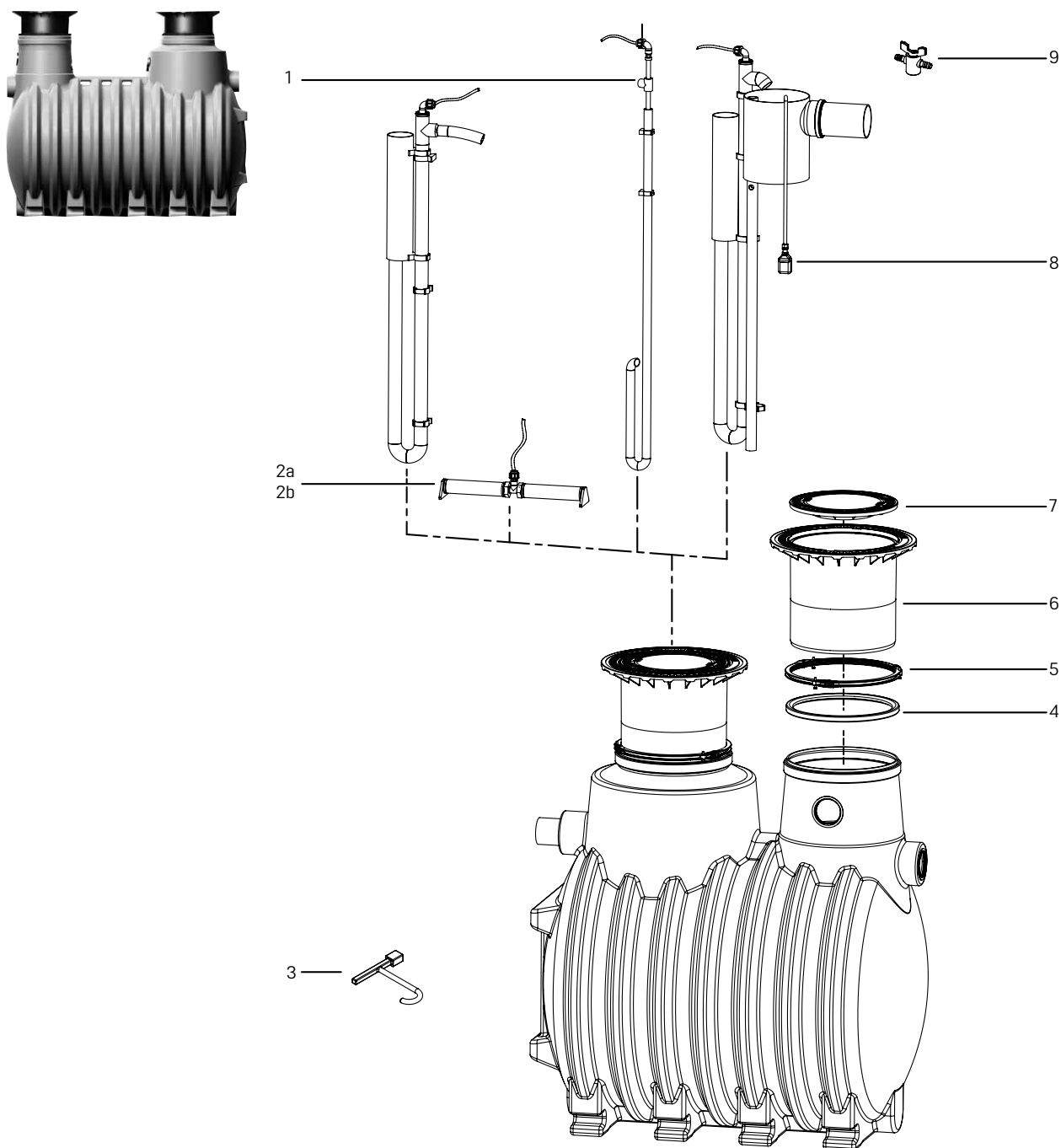


Item	Designation	Art. no.
17a	JDK 100	680 469
17b	JDK 150	680 471
17c	JDK 200	680 472
17d	JDK 250	680 473
18	Connector for diaphragm compressor	680 634
19	Filter mat (1 ea.) for diaphragm compressor	
19a	for EL-100 and 120 (1 ea.), for EL-150, 200 and 250 (2 ea.)	97 719
19b	for JDK 60 - 120	680 461
19c	for JDK 150 - 500	680 462
20	Maintenance set (1 set consists of: 2× diaphragm, 2× valve, 1× filter element)	
20a	for compressor EL-120 (1 set), EL-250 (2 sets)	680 180
20b	for compressor EL-100 (1 set), EL-150 and 200 (2 sets)	680 179

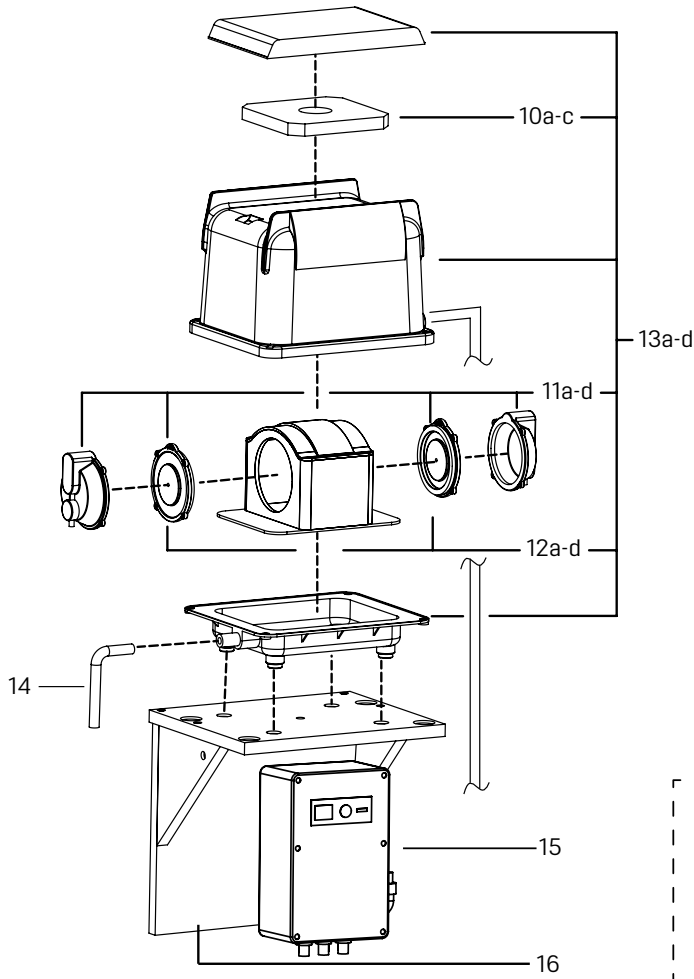
Item	Designation	Art. no.
20c	for compressor JDK 100 - 120	680 463
20d	for compressor JDK 150 - 500	680 464
21	Replacement diaphragms (1 pair)	
21a	for EL-100 (1 pair), EL-150 and 200 (2 pairs)	680 177
21b	for EL-120 (1 pair), EL-250 (2 pairs)	680 178
21c	for JDK 60 - 120	680 465
21d	for JDK 150 - 500	680 466
22	Supporting sleeve	97 742
23	PP bend 90° 3/4" × 20 (for Item 17 b, c, d only)	680 566
24	Air hose 19 × 25 mm (15 m)	97 738
25	Connector for pressure monitoring system, <i>InnoClean PLUS</i>	97 743
26	Wall mounting bracket for <i>InnoClean</i>	680 467
27	Control unit <i>InnoClean</i>	97 727

InnoClean, 1st generation

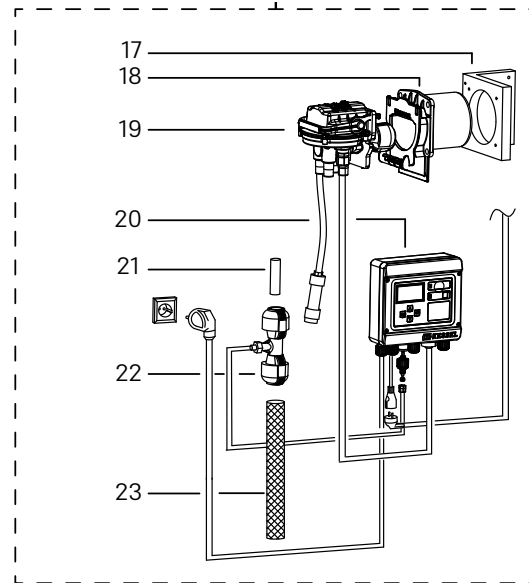
Installation in the ground, up to model year 2009



Item	Designation	Art. no.	Item	Designation	Art. no.
1	Branch, 88.5 d 63 - 50	on request	9	Ball valve 2 × 16 mm	680 122
2	Aeration pipe		10	Filter mat (1 ea.)	
2a	Length: 700 mm	680 188	10a	for EL-100 and 120 (1 ea.), for EL-150, 200 and 250 (2 ea.)	97 719
2b	Length: 1100 mm	680 189	10b	for JDK 60 - 120	680 461
3	Removal key for <i>InnoClean PLUS</i> cover plate	915 595	10c	for JDK 150 - 500	680 462
4	Lip seal up to model year 12/2014	860 116	11	Maintenance set (1 set consists of: 2× diaphragm, 2× valve, filter element)	
5	Clamping ring, upper section Ø 600	680 276	11a	for compressor EL-100 (1 set), EL-150 and 200 (2 sets)	680 179
6	Upper section Ø 630, surface water resistant	680 324	11b	for compressor EL-120 (1 set), EL-250 (2 sets)	680 180
7	Cover plate class A/B, grey cast iron, unbolted	860 130	11c	for compressor JDK 100 - 120	680 463
8	Float switch, 30 m	680 565	11d	for compressor JDK 150 - 500	680 464



Replacement for Item 15 contains

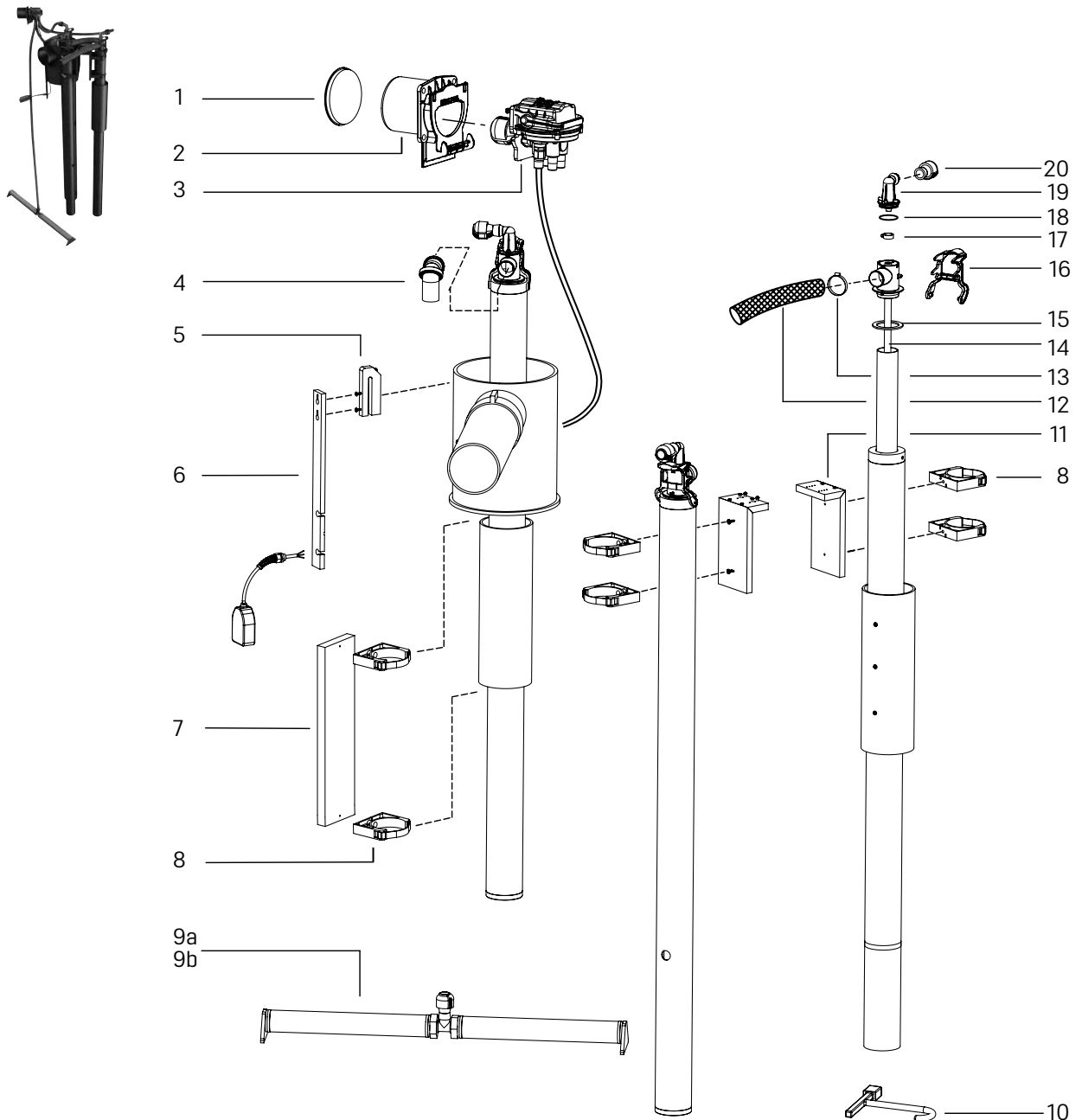


Item	Designation	Art. no.
12	Replacement diaphragms (1 pair)	
12a	for EL-100 (1 pair), EL-150 and 200 (2 pairs)	680 177
12b	for EL-120 (1 pair), EL-250 (2 pairs)	680 178
12c	for JDK 60 - 120	680 465
12d	for JDK 150 - 500	680 466
13	Diaphragm compressor complete	
13a	JDK 100	680 469
13b	JDK 150	680 471
13c	JDK 200	680 472
13d	JDK 250	680 473

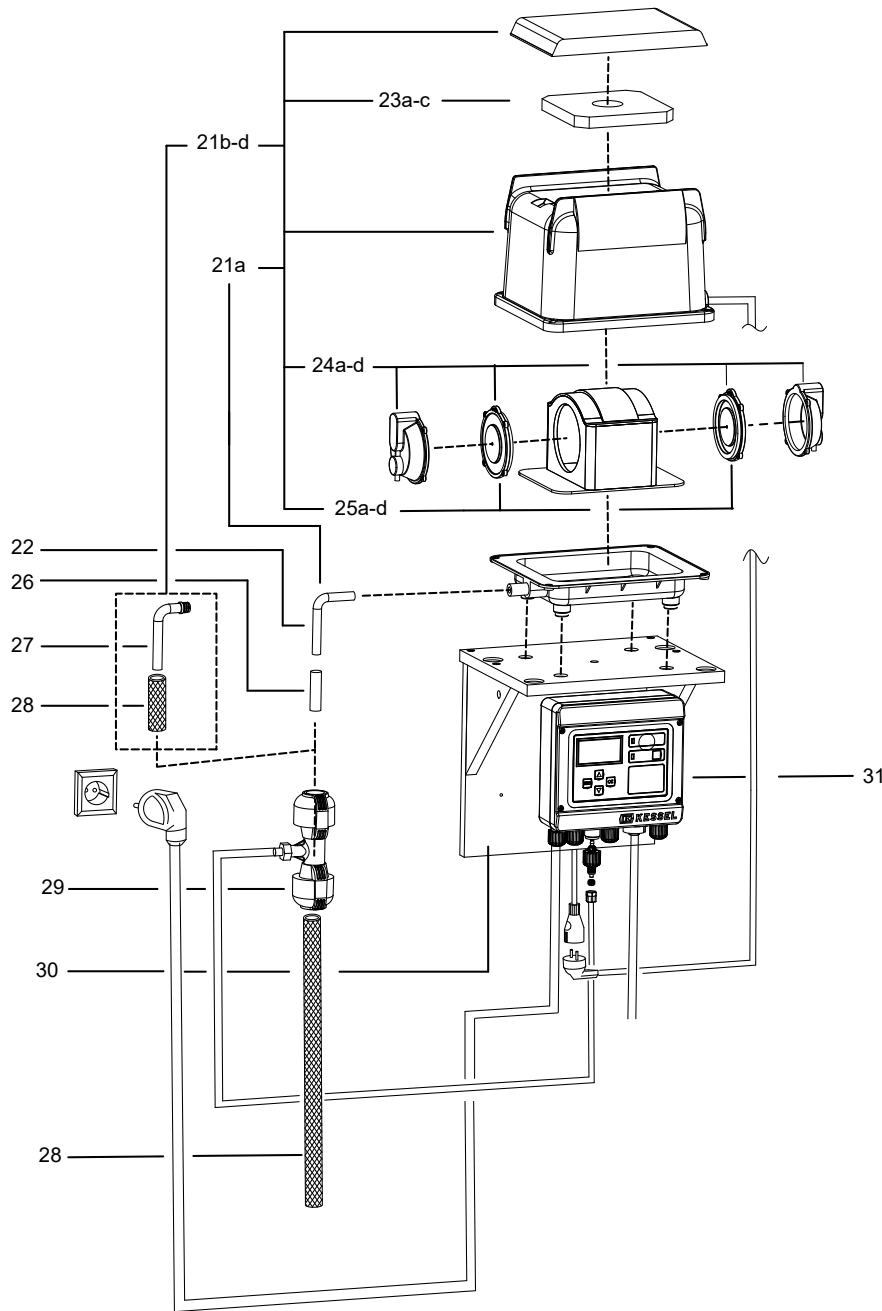
Item	Designation	Art. no.
14	Connector for diaphragm compressor	680 634
15	Conversion kit for <i>InnoClean</i> control unit	97 740
16	Wall mounting bracket for <i>InnoClean</i>	680 467
17	Wall mounting bracket for adapter plate	680 193
18	Adapter plate with muff	680 334
19	Valve block	680 194
20	Control unit <i>InnoClean</i>	97 727
21	Supporting sleeve	97 742
22	Connector for pressure monitoring system, <i>InnoClean</i>	680 195
23	Air hose 19 × 25 mm	97 738

Renovation/retrofit kit

for installation in existing double or multi-chamber cesspits



Item	Designation	Art. no.	Item	Designation	Art. no.
1	Temporary protective cover for adapter plate	680 213	11	Bracket with pipe clamps	680 211
2	Adapter plate with muff	680 334	12	Spiral hose Ø 50 mm (bulk goods)	680 073
3	Valve block with float switch	680 161	13	Hose clamp for hose 60 mm	680 283
4	HTK bend for clear water removal Ø 50	63 050	14	Air hose for lifter, Ø 16, Length: 1.0 m	680 406
5	Bracket for float switch, retrofit kit	680 197	15	Seal for lifter	680 407
6	Bracket strip for float switch	680 199	16	Dual locking lever	680 139
7	Fixing for pipe clamps	680 201	17	Hose clamp for 1/2" hose	680 082
8	Pipe clamp with bracket	680 369	18	Seal, O-ring	680 408
9	Aeration pipe, retrofit kit		19	Air connection bend	on request
9a	Length: 1100 mm	680 404	20	Hose connection	on request
9b	Length: 1600 mm	680 405	21	Diaphragm compressor complete	
10	Removal key for InnoClean PLUS cover plate	915 595	21a	JDK 100	680 469



Item	Designation	Art. no.
21b	JDK 150	680 471
21c	JDK 200	680 472
21d	JDK 250	680 473
22	Connector for diaphragm compressor	680 634
23	Filter mat (1 ea.)	
23a	for EL-100 and 120 (1 ea.), for EL-150, 200 and 250 (2 ea.)	97 719
23b	for JDK 60 - 120	680 461
23c	for JDK 150 - 500	680 462
24	Maintenance set (1 set consists of: 2× diaphragm, 2× valve, filter element)	
24a	for compressor EL-100 (1 set), EL-150 and 200 (2 sets)	680 179
24b	for compressor EL-120 (1 set), EL-250 (2 sets)	680 180
24c	for compressor JDK 100 - 120	680 463

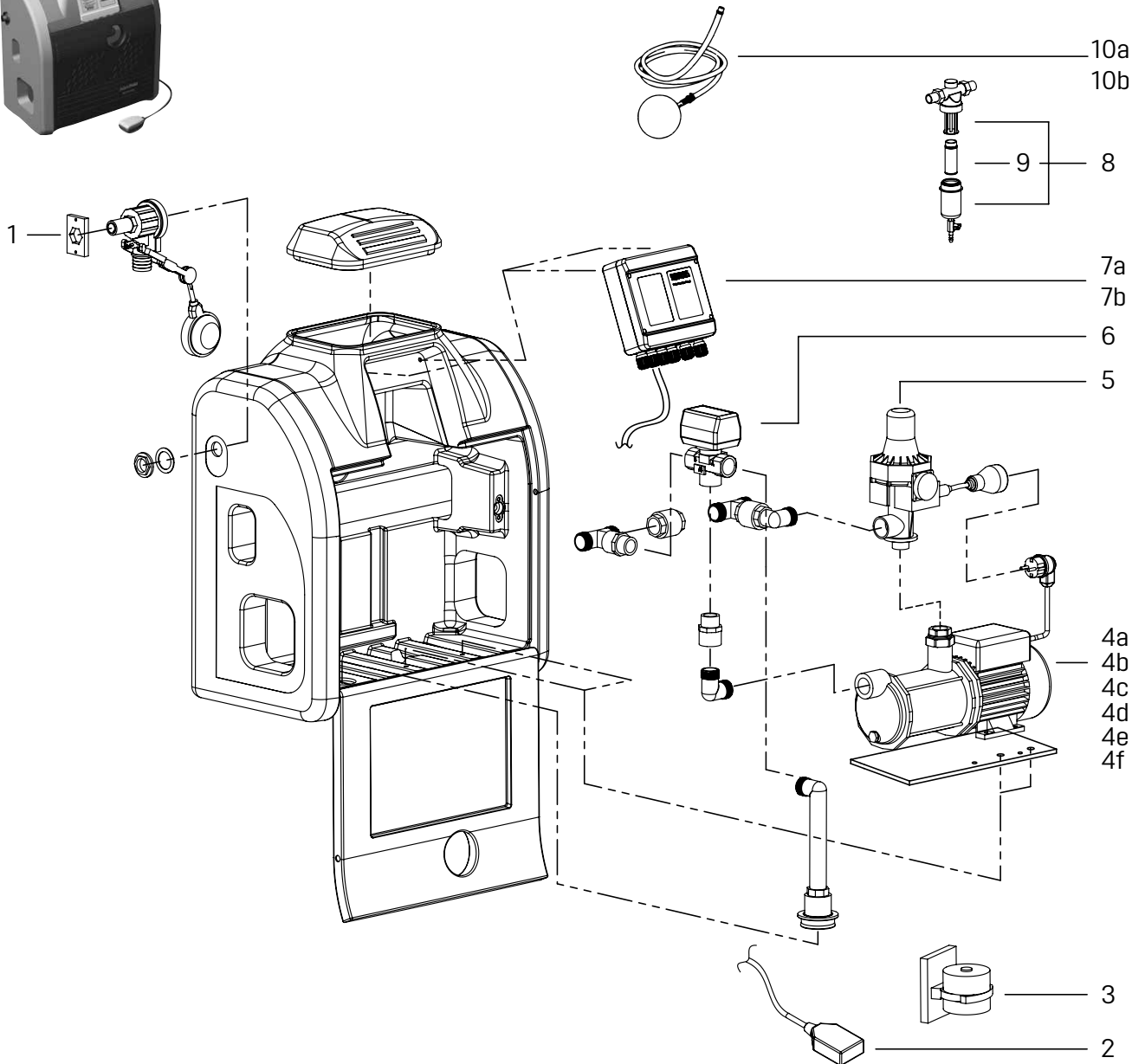
Item	Designation	Art. no.
24d	for compressor JDK 150 - 500	680 464
25	Replacement diaphragms (1 pair)	
25a	for EL-100 (1 pair), EL-150 and 200 (2 pairs)	680 177
25b	for EL-120 (1 pair), EL-250 (2 pairs)	680 178
25c	for JDK 60 - 120	680 465
25d	for JDK 150 - 500	680 466
26	Supporting sleeve	97 742
27	PP bend 90° 3/4" × 20 (for Item 21 b, c, d only)	680 566
28	Air hose 19 × 25 mm	97 738
29	Connector for pressure monitoring, <i>InnoClean</i> PLUS	97 743
30	Wall mounting bracket for <i>InnoClean</i>	680 467
31	Control unit <i>InnoClean</i>	97 727

7. Rainwater harvesting

<i>Aqabull</i>	158
<i>Aqadive</i>	159
Rainwater filters	160

Aqabull

Inside the building



Item	Designation	Art. no.
1	Float valve Quickstop	680 051*
2	Normally closed float switch, 20 m cable, without plug	85 043*
3	Ultrasonic probe with 20 m cable	on request*
4	Pump 230 V	
4a	Type 15/4, Comfort, 0.8 kW (standard)	on request*
4b	Type 25/3, Comfort, 1.0 kW	on request*
4c	Type 20/4, Comfort, 1.2 kW	on request*
4d	Type 20/5, Comfort, 1.5 kW	on request*
4e	Replacement pump, Type 25/5, 230 V	680 819
4f	Replacement pump (set), Aqabull Standard	85 005A*

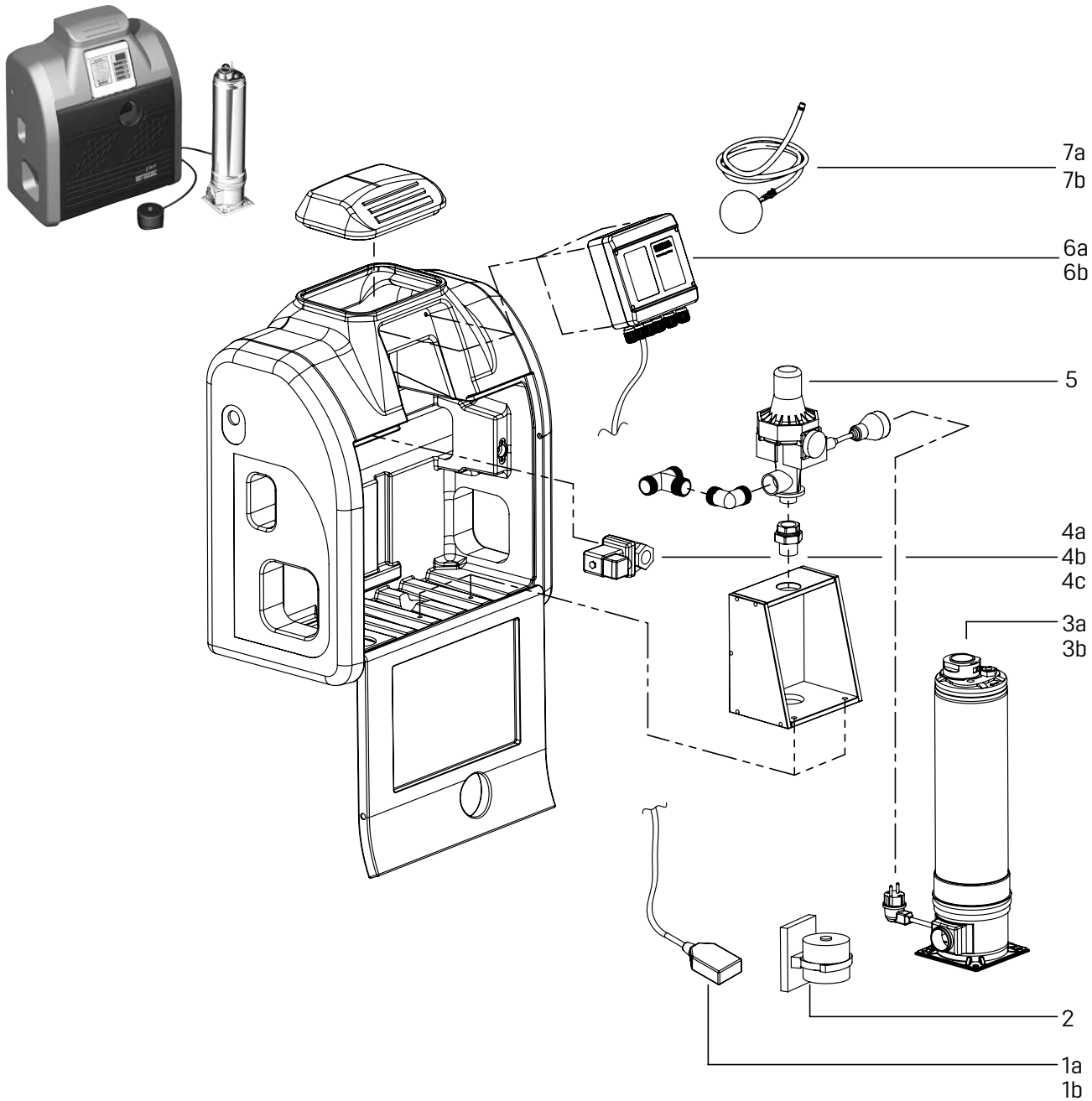
* As long as stocks last

Item	Designation	Art. no.
5	Pressure switch IP 55, 230 V, 2.4 bar (standard)	85 002*
6	3-way valve (valve body, motor, connection cable)	85 044*
7	Control unit	
7a	for Aqatronic K (for ultrasonic probe)	**
7b	for Aqatronic S (for float switch)	**
8	Backwash sediment filter	85 010*
9	Backwash filter for backwash sediment filter	85 035*
10a	Intake filter with non-return valve and coarse filter	85 051*
10b	Intake filter with non-return valve and sediment filter	85 050*

** no longer available

Aqadive

Inside the building



Item	Designation	Art. no.
1	Normally closed float switch with 20 m cable	
1a	with connector	on request*
1b	without connector	85 043*
2	Ultrasonic probe with 20 m cable	on request*
3	Replacement pump	
3a	KTP 800	85 003a*
3b	KTP 1000 (standard)	85 004a*
4	Solenoid valve 230 V	
4a	1/2 inch	85 045*

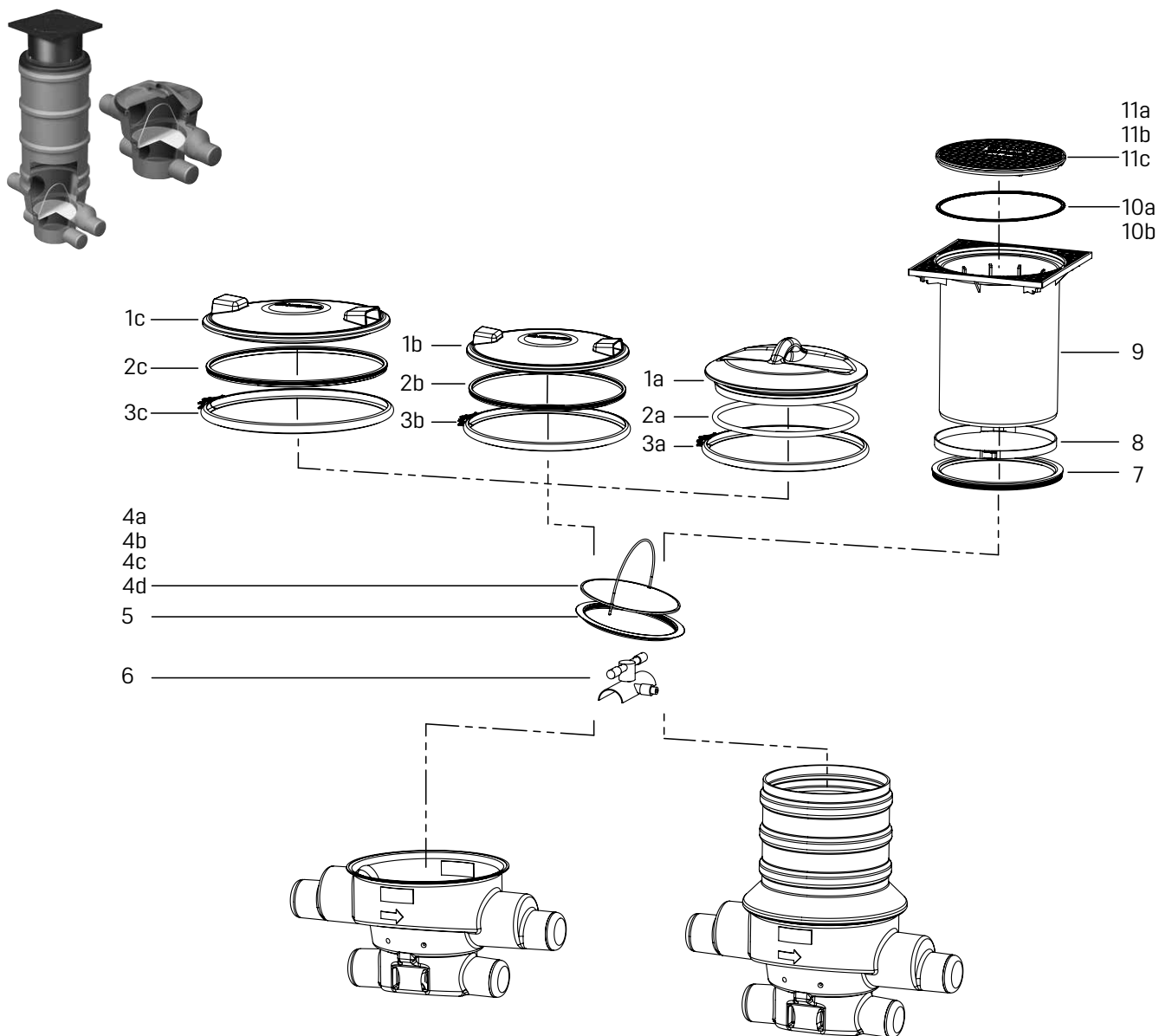
Item	Designation	Art. no.
4b	3/4 inch	85 046*
4c	1 inch	85 047*
5	Pressure switch IP 55, 230 V, 2.4 bar (standard)	85 002*
6	Control unit	
6a	for Aqatronic K (for ultrasonic probe)	**
6b	for Aqatronic S (for float switch)	**
7	Intake filter with non-return valve	
7a	and coarse filter	85 051*
7b	and sediment filter	85 050*

* As long as stocks last

** no longer available

Rainwater filters

Inside and outside the building



Item	Designation	Art. no.	Item	Designation	Art. no.
1	Cover		4c	square, mesh size 200 µm	680 488*
1a	Ø 420, up to model year 03/2004	680 326	4d	square, mesh size 500 µm	680 489*
1b	Ø 420, beginning model year 04/2004	916 904	5	Seal, round	680 415*
1c	Ø 630 for DIN 4040-100 separator, beginning model year 04/2004	916 901	6	Backwash device	on request*
2	Replacement seal		7	Seal	680 315
2a	Ø 420, up to model year 03/2004	680 217	8	Clamping ring for upper section	680 314
2b	Ø 420, beginning model year 04/2004	917 204	9	Upper section with clamping ring	680 311
2c	Ø 630 for DIN 4040-100 separator, beginning model year 04/2004	917 201	10	Seal for cover plate	
3	Clamp-type closure		10a	for class A and B	680 058
3a	Ø 420, up to model year 03/2004	680 325	10b	for class D	680 316
3b	Ø 420, beginning model year 04/2004	917 004	11	Cover plate	
3c	Ø 630 for DIN 4040-100 separator, beginning model year 04/2004	917 001	11a	class A	680 312
4	Replacement filter		11b	class B	680 553
4a	round, mesh size 200 µm	680 416*	11c	class D	680 313
4b	round, mesh size 500 µm	680 417*			

* As long as stocks last

8. Article index

List of article numbers
and page numbers

Art. no.	Page	Art. no.	Page	Art. no.	Page	Art. no.	Page
2							
21 056	48	28 052	11	30 001W	45	680 015	18
27 108	111	28 053	12	30 003S	45	680 016	18
27 119	114	28 054	10	30 003W	45	680 017	61
27 120	114	28 056	10	30 004S	65	680 018	10
27 121	114	28 060	10	32 500	65	680 019	61
27 140	121	28 061	10	36 590	116	680 020	61
27 141	121	28 063	85	39 005	43	680 021	61
27 150	116	28 064	82			680 022	15
27 151	116	28 065	82	4		680 023	15
27 154	115	28 066	82			680 024	15
				43 500	67		
27 155	115	28 070	14	47 100	123	680 025	10
27 156	122	28 071	10	47 102	123	680 026	10
27 157	116	28 073	12	47 103	123	680 027	98
27 169	123	28 074	85	47 200	44	680 028	98
27 170	123	28 075	10			680 029	98
				48 011	121		
27 171	123	28 301	75	48 012	121	680 030	98
27 173	121	28 351	10	48 013	121	680 031	64
27 180	121	28 380	98	48 014	121	680 032	64
27 182	123	28 390	98	48 018	121	680 033	64
27 205	110	28 608	80			680 034	10
				48 302	122		
27 207	61	28 609	80	48 303	122	680 035	10
27 208	61	28 663	80	48 335	122	680 038	14
27 308	110	28 676	80	48 345	122	680 039	14
27 603	110	28 677	82	48 500	77	680 040	14
27 604	112	28 683	84			680 041	14
				48 520	123		
27 605	123	28 706	50	48 600	123	680 042	14
27 606	113	28 714	80	48 602	123	680 043	14
27 607	113	28 731	64	48 603	123	680 044	80
27 608	111	28 732	74	48 954	112	680 045	80
27 613	112	28 733	74			680 046	80
				48 968	112		
27 643	116	28 734	74	48 975	123	680 047	80
27 714	112	28 737	75			680 048	81
28 004	44	28 738	76	5		680 049	64
28 005	65	28 739	74			680 050	80
28 006	65	28 744	74	54 188	123	680 051	158
28 011	64	28 746	64	6		680 052	50
28 012	67	28 755	106			680 053	80
28 014	84	28 756	80	60 101S	10	680 055	80
28 021	85	28 757	82	60 103	123	680 056	64
28 025	85	28 758	82	63 050	150	680 057	129
				67 007	10		
28 026	85	28 759	98	67 400	121	680 058	142
28 027	80	28 760	89			680 059	88
28 028	80	28 761	98	67 700	122	680 060	80
28 029	80	28 762	98	67 750	122	680 061	82
28 030	64	28 763	98	67 775	122	680 062	80
				680 000	111		
28 031	61	28 777	107	680 001	65	680 063	32
28 032	64	28 781	100			680 064	32
28 036	61	28 783	85	680 002	80	680 065	75
28 038	64	28 786	50	680 003	84	680 067	43
28 039	61	28 787	50	680 004	64	680 069	69
				680 005	111		
28 041	85	28 788	50	680 006	64	680 070	74
28 042	85	28 790	50			680 071	50
28 043	85	28 791	50	680 007	64	680 072	76
28 045	81	28 799	99	680 008	33	680 073	150
28 046	64	28 836	61	680 009	18	680 074	76
				680 010	70		
28 050	84	28 860	88	680 011	64	680 075	10
28 051	80	3				680 076	71
				680 012	64	680 078	121
30 001S	45	30 001S	45	680 013	61	680 081	113
				680 014	61	680 082	154

Art. no.	Page	Art. no.	Page	Art. no.	Page	Art. no.	Page
680 083	98	680 227	115	680 303	129	680 388	100
680 084	98	680 228	115	680 304	127	680 390	50
680 085	98	680 229	115	680 305	129	680 391	50
680 095	80	680 230	115	680 306	129	680 397	50
680 098	50	680 231	115	680 308	129	680 398	50
680 101	10	680 232	115	680 309	129	680 399	50
680 102	49	680 233	115	680 310	127	680 400	52
680 104	11	680 234	115	680 311	146	680 401	52
680 105	48	680 235	115	680 312	121	680 402	52
680 106	88	680 236	115	680 313	121	680 403	52
680 108	89	680 237	115	680 314	142	680 404	154
680 109	88	680 238	115	680 315	142	680 405	154
680 110	89	680 239	115	680 316	142	680 406	154
680 112	88	680 240	115	680 317	146	680 407	154
680 113	88	680 241	115	680 319	128	680 408	154
680 114	88	680 242	115	680 321	145	680 410	98
680 118	88	680 243	116	680 322	145	680 411	98
680 119	74	680 248	120	680 323	143	680 415	160
680 120	85	680 249	120	680 324	143	680 416	160
680 122	152	680 250	120	680 325	130	680 417	160
680 125	54	680 251	120	680 326	71	680 418	50
680 126	131	680 252	118	680 328	136	680 419	82
680 128	131	680 253	119	680 329	131	680 420	120
680 132	14	680 254	119	680 330	130	680 421	84
680 139	150	680 255	119	680 331	130	680 422	100
680 140	150	680 256	119	680 332	130	680 423	100
680 141	150	680 257	119	680 333	146	680 424	69
680 150	10	680 258	119	680 334	146	680 425	119
680 158	150	680 259	119	680 335	146	680 426	119
680 160	150	680 260	119	680 336	146	680 427	119
680 161	150	680 261	119	680 339	127	680 428	119
680 164	131	680 262	118	680 341	132	680 429	119
680 166	150	680 263	118	680 342	130	680 430	54
680 177	151	680 264	118	680 343	134	680 431	54
680 178	151	680 265	118	680 344	130	680 432	129
680 179	151	680 266	118	680 347	147	680 433	127
680 180	151	680 267	118	680 348	144	680 434	131
680 181	150	680 268	118	680 349	144	680 435	131
680 183	112	680 269	118	680 350	144	680 436	131
680 188	152	680 270	118	680 361	88	680 437	131
680 189	152	680 271	118	680 362	88	680 438	131
680 193	153	680 274	132	680 363	66	680 439	131
680 194	153	680 275	130	680 364	88	680 442	50
680 195	153	680 276	54	680 366	66	680 443	50
680 197	154	680 277	90	680 369	154	680 444	50
680 199	154	680 278	143	680 370	54	680 445	50
680 201	154	680 280	110	680 371	54	680 446	100
680 211	154	680 282	128	680 373	54	680 449	88
680 213	150	680 283	128	680 374	54	680 450	88
680 215	48	680 284	129	680 375	54	680 451	88
680 216	121	680 285	128	680 376	54	680 452	50
680 217	130	680 286	128	680 378	54	680 453	74
680 218	50	680 287	128	680 379	50	680 454	74
680 219	50	680 288	128	680 380	50	680 455	50
680 221	80	680 289	128	680 381	50	680 457	88
680 222	114	680 290	129	680 382	50	680 460	50
680 223	115	680 291	129	680 383	50	680 461	151
680 224	10	680 299	145	680 384	50	680 462	151
680 225	115	680 300	145	680 385	50	680 463	151
680 226	115	680 301	145	680 386	50	680 464	151

Art. no.	Page	Art. no.	Page	Art.-Nr.	Seite	Art. no.	Page
680 465	151	680 544	60	680 654	55	680 768	43
680 466	151	680 545	60	680 655	55	680 769	43
680 467	151	680 546	60	680 656	56	680 770	43
680 469	151	680 547	60	680 657	56	680 771	66
680 471	151	680 548	79	680 658	55	680 772	66
680 472	151	680 549	79	680 659	55	680 773	68
680 473	151	680 550	85	680 660	55	680 774	68
680 475	62	680 553	121	680 661	55	680 775	68
680 476	88	680 555	131	680 662	55	680 776	68
680 477	116	680 562	150	680 663	55	680 777	68
680 478	116	680 563	150	680 664	55	680 778	68
680 479	88	680 564	150	680 665	30	680 779	68
680 480	89	680 565	152	680 668	30	680 780	68
680 481	128	680 566	151	680 669	119	680 781	68
680 482	119	680 567	150	680 673	60	680 783	98
680 483	119	680 568	54	680 674	64	680 784	101
680 484	119	680 569	54	680 675	64	680 785	101
680 485	119	680 590	130	680 676	74	680 788	67
680 486	74	680 593	56	680 683	120	680 801	94
680 487	74	680 594	88	680 685	121	680 802	96
680 488	160	680 595	89	680 686	120	680 803	96
680 489	160	680 596	99	680 687	120	680 804	71
680 490	71	680 597	99	680 688	120	680 805	96
680 491	72	680 598	99	680 689	120	680 807	96
680 503	127	680 599	99	680 690	120	680 812	94
680 504	127	680 600	99	680 691	120	680 813	96
680 505	127	680 601	99	680 692	120	680 814	97
680 506	127	680 602	98	680 693	120	680 815	97
680 507	127	680 603	99	680 695	123	680 816	97
680 508	127	680 604	99	680 696	77	680 817	97
680 509	127	680 605	99	680 698	88	680 818	95
680 510	127	680 606	99	680 702	10	680 819	158
680 511	127	680 607	99	680 703	101	680 820	97
680 512	127	680 608	99	680 704	101	680 821	97
680 513	127	680 609	99	680 705	101	680 827	50
680 515	127	680 610	99	680 706	101	680 828	43
680 516	127	680 611	99	680 707	101	680 829	43
680 517	127	680 612	99	680 708	101	680 830	43
680 519	127	680 613	99	680 709	101	680 832	130
680 520	127	680 614	99	680 710	101	680 836	54
680 521	127	680 615	99	680 715	120	680 877	64
680 522	127	680 616	99	680 716	85	680 878	67
680 523	127	680 617	99	680 717	99	680 879	65
680 524	50	680 618	99	680 718	99	680 880	88
680 528	98	680 619	99	680 719	101	680 881	89
680 529	98	680 620	99	680 720	107	680 882	116
680 530	98	680 621	99	680 727	85	680 883	43
680 531	98	680 622	99	680 728	119	680 884	43
680 532	82	680 623	99	680 729	89	680 886	116
680 533	100	680 624	99	680 742	92	680 887	71
680 534	100	680 630	96	680 758	62	680 888	71
680 535	79	680 634	68	680 759	62	680 889	88
680 536	79	680 637	101	680 760	62	680 890	131
680 537	79	680 638	101	680 761	62	680 891	131
680 538	79	680 639	101	680 762	62	680 897	64
680 539	79	680 640	101	680 763	46	680 898	101
680 540	79	680 641	85	680 764	66	680 899	111
680 541	79	680 642	80	680 765	66	680 940	54
680 542	60	680 643	80	680 766	66	680 941	123
680 543	60	680 653	55	680 767	43	680 942	123

Art. no.	Page	Art. no.	Page	Art. no.	Page	Art. no.	Page
680 943	118	681 012	136	70 241	30	83 032	11
680 944	118	681 013	137	70 242	30	83 045	10
680 945	118	681 014	138	70 251	36	83 046	10
680 946	118	681 015	139	70 252	36	83 050	12
680 947	118	681 016	140	70 261	32	83 052	12
680 948	123	681 017	124	70 262	32	83 053	67
680 950	140	681 018	125	70 317	18	83 055	44
680 951	74	681 019	126	70 318	16	83 055	75
680 952	68	681 020	127	70 319	10	83 061	78
680 953	66	681 021	128	72 224	30	83 081	10
680 954	61	681 022	129	72 225	30	83 082	10
680 955	62	681 023	130	72 229	30	83 083	10
680 961	94	681 024	131	72 230	30	83 084	10
680 962	94	681 025	132	72 235	30	83 085	10
680 963	94	681 026	133	72 236	30	83 086	10
680 964	95	681 027	141	8		83 087	10
680 965	94	681 028	142	80 010	26	83 088	10
680 966	95	681 029	143	80 011	24	83 090	30
680 967	71	681 030	144	80 012	24	83 091	30
680 968	71	681 031	145	80 013	20	840 113	128
680 969	71	681 039	85	80 014	20	85 002	158
680 970	95	686 112	30	80 015	22	85 003a	159
680 971	95	686 113	30	80 016	16	85 004a	159
680 972	72	686 114	10	80 017	16	85 005A	158
680 973	72	686 115	30	80 024	18	85 010	158
680 974	72	7		80 026	18	850 112	64
680 975	71	70 053	40	80 031	18	850 113	64
680 976	71	70 054	42	80 032	18	850 116	54
680 977	72	70 055	40	80 035	18	850 117	54
680 978	71	70 056	40	80 036	18	850 120	142
680 979	72	70 073	41	80 038	10	850 121	142
680 980	71	70 075	41	80 039	10	850 134	121
680 981	71	70 101	37	80 041	12	850 135	121
680 982	71	70 103	33	80 071	16	850 137	121
680 983	71	70 104	33	80 075	18	850 141	123
680 984	71	70 105	33	80 076	10	850 142	123
680 985	71	70 106	33	80 888	10	85 035	158
680 986	71	70 115	33	80 889	8	85 043	158
680 987	71	70 116	33	80 890	8	85 044	158
680 988	72	70 117	33	80 891	8	85 045	159
680 989	73	70 118	33	80 892	8	85 046	159
680 990	71	70 126	37	80 893	8	85 047	130
680 991	73	70 128	33	80 895	8	85 050	158
680 992	73	70 129	33	80 988	14	85 051	158
680 993	73	70 130	33	81 894	8	860 104	143
680 994	73	70 151	37	830 045	10	860 110	90
680 995	73	70 153	33	830 046	10	860 111	129
680 996	72	70 154	33	830 050	16	860 113	128
680 998	71	70 155	22	830 052	16	860 116	143
680 999	95	70 201	36	830 053	43	860 118	54
681 001	10	70 202	14	830 054	43	860 119	143
681 003	117	70 203	32	830 055	77	860 130	150
681 004	118	70 205	32	830 056	77	860 131	88
681 005	119	70 214	14	830 061	10	860 136	54
681 006	120	70 217	22	830 065	66	860 141	145
681 007	121	70 231	30	830 100	30	860 900	54
681 008	122	70 232	30	830 101	30	874 01 75	54
681 009	123	70 233	32	830 030	15	874 01 76	54
681 010	134	70 234	32	830 031	11	874 01 77	54
681 011	135					874 01 78	54

Art. no.	Page
874 01 79	54
874 01 80	54
874 01 81	54

9

913 109	131
915 595	150
916 601	130
916 803	143
916 901	128

916 904	130
917 001	128
917 004	130
917 101	143
917 111	129

917 112	143
917 201	128
917 204	130
917 805	145
917 816	145

917 821	144
917 823	144
917 836	147
917 837	144
917 838	128

917 842	147
917 844	147
917 846	147
917 850	130
917 851	130

917 852	130
917 853	130
917 854	130
917 855	130
917 856	130

97 719	151
97 727	151
97 738	151
97 740	153
97 742	151

97 743	151
--------	-----

KESSEL AG Standard Conditions of Sale (SCS)

1. Scope of application, form

(1) The present Standard Conditions of Sale (SCS) apply to all our business relations with our customers ("Purchaser"). The SCS apply only provided the Purchaser is an entrepreneur (§ 14 of the German Civil Code (BGB), a public-law legal entity or public-law special assets.

(2) The SCS apply particularly to contracts for the sale and/or delivery of movable objects ("Products") as well as the sale of goods, software and technology ("Goods"), irrespective of whether we manufacture the Products/Goods ourselves or purchase them from suppliers (§§ 433, 651 BGB). Unless anything different has been agreed, the version of the SCS which was applicable at the time of the Purchaser's order or at least as last communicated to him in text form will apply as a framework agreement, also in the case of similar future contracts and without our having to refer to them again in each individual case.

(3) Only our SCS apply. Different, contrary or complementary standard terms and conditions of the Purchaser will only be part of the contract when and to the extent that we have expressly consented to their application. This requirement of consent will apply in all circumstances, for example should we also carry out the delivery without reservations, although aware of the Purchaser's standard terms and conditions.

(4) Individual agreements made with the Purchaser in a particular case (including side-agreements, additions and amendments) will in any event have precedence over these SCS. Subject to proof to the contrary, the content of such agreements will be governed by a written contract or our written confirmation.

(5) Legally material declarations and notices by the Purchaser with regard to the contract (e.g. setting of a deadline, report of defects, rescission or a price reduction) must be submitted in writing, i.e. in written or text form (e.g. letter, e-mail, fax). This will not affect legal requirements regarding form and additional evidence, particularly in the event of doubts on the legitimacy of the party making the declaration.

(6) Reference to the application of provisions of the law are only intended for purposes of clarification. Thus, even without such clarification, the provisions of the law will apply unless they are directly amended or expressly excluded in these SCS.

2. Conclusion of a contract

(1) Our quotations are subject to change and not binding. This will also be the case should we have provided the Purchaser with catalogues, technical documentation (e.g. drawing, plans, calculations, estimates, reference to DIN norms), other product descriptions or documents – also in electronic form – to which we reserve rights of title and copyright.

(2) The Purchaser's order for Products is considered a binding offer to conclude a contract. Unless the order provides for anything different, we are entitled to accept this offer to conclude a contract within four weeks of having received the offer.

(3) The offer may be accepted either in writing (e.g. by way of an order confirmation) or through delivery of the Products to the Purchaser.

3. Reservation regarding matters related to the German Foreign Trade Law

The contract is subject to the reservation that its fulfilment is not subject to any hindrances due to the domestic or international provisions of the Foreign Trade Law or contrary to any embargos and/or other sanctions. Our Goods may be subject to restrictions under the Foreign Trade Law. These are to be understood to include legal prohibitions and/or obligations to obtain permits. Should a Product be purchased that is subject to the requirement that approval is obtained, it will be clarified with the Purchase in each individual case how the goods are to be shipped and whether a contract may be concluded at all. A restriction in terms of the Foreign Trade Law may be related *inter alia* to the final destination and intended use of the Products. Should Products supplied by us be forwarded to a third party at home or in a foreign country, the Purchaser is required to comply with the applicable provisions of domestic and international foreign trade law. If necessary, the Purchaser is required, immediately on being requested to do so, to provide us with all information and documents required by the responsible authority for approval in accordance with the Foreign Trade Law concerning the ultimate recipient, final destination and intended use of the Products we supply as well as any restrictions in terms of foreign trade law in this regard. Any amendments and errors reserved.

4. Delivery period and delivery delays

(1) The delivery period will be agreed individually or stated by us on accepting the order. Should this not be the case, the delivery period is approximately four weeks after the conclusion of the contract.

(2) Should we be unable to meet binding delivery dates for reasons for which we are not responsible (service not available), we will inform the Purchaser of this fact immediately and simultaneously give notification the probable new delivery period. Should the service also not be available within the new delivery period, we are entitled to rescind all or part of the contract; should the Provider have already paid for the service, we will reimburse this immediately. Non-delivery of the service within the meaning of the above is particularly the case in which our supplier does not deliver to us on time, should we have concluded a parallel covering order, should neither we or our supplier be at fault or should we not be required to procure the Products in the particular case. We assume no procurement guarantee.

(3) We will be in arrears with the delivery should we be responsible for the delay in service, whereby our degree of blame in accordance with § 8 of these SCS is limited to deliberate intent and gross negligence. In any event, however, a reminder by the Purchaser is required. Should we fall into arrears with the delivery, the Purchaser may demand a lump-sum amount as compensation for its damages due to the delay. The lump-sum compensation amount of 0.5 % of the net price (delivery value) for every complete week of arrears, subject however to a maximum of 5 % of the delivery value of the Goods delivered late. We reserve the right to prove that the Purchaser has not incurred any damage or has incurred considerably lower damages than the above lump-sum amount.

(4) The Purchaser's rights in accordance with § 8 of these SCS and our legal rights, particularly in the event of an exclusion of the obligation to perform (e.g. due to impossibility or that performance and/or subsequent fulfilment are unreasonable) are not affected.

5. Delivery, transfer of risk, formal acceptance, delay in acceptance

(1) The delivery will be made solely in the packing units stated. The delivery is carried out from the warehouse, which is also the place of fulfilment for the delivery and of any subsequent fulfilment. At the request and expense of the Purchaser, the Goods may be delivered to a different destination (sales shipment). Unless anything different has been agreed, we are entitled to determine ourselves the method of shipment (particularly freight forwarder, routing, packaging). Surcharges for freight sent as an urgent or express shipment will be paid by the Purchaser. The Purchaser is required to report transport damage to the freight forwarder/service provider as soon as the shipment is received and to note any damage in writing in the shipment documents.

(2) The risk of accidental destruction and accidental deterioration will pass to the Purchaser at the latest upon delivery. In the case of sales shipments however the risk of accidental destruction and accidental deterioration of the Products as well as the risk of delay will pass already on delivery of the Products to the freight forwarder, transporter or any other person or institution appointed to carry out the delivery. Should formal acceptance have been agreed, this will determine the transfer of risk. Otherwise, an agreed acceptance will also be governed by the provisions of the law relating to contracts for specific tasks as appropriate. Should the Purchaser be in arrears in accepting the Goods, it is irrelevant whether the Goods are handed over or subject to formal acceptance.

(3) Should the Purchaser be in arrears in accepting the Goods, fail to fulfil an obligation to cooperate or should our delivery be delayed for other reasons for which the Purchaser is responsible, we are entitled to demand compensation for damage incurred thereby, including additional expenses (e.g. storage costs). For this purpose, we charge a lump-sum amount of 1.0 % of the net value of the Goods for each complete month as compensation, subject however to a maximum of 5 % of the net value of the Goods, beginning on the delivery date or, in the absence of the delivery date, with the notification that the Goods are ready to be delivered. This does not affect proof of higher damage and our legal rights (particularly compensation for additional expenses, adequate compensation, termination); the lump-sum amount is however to be deducted from additional financial claims. The Purchaser is entitled to prove that we have not incurred any damage or considerably lower damages than the above lump-sum amount.

6. Prices and payment conditions

(1) Unless anything different is agreed in the particular case, our current ex warehouse price list at the time the contract is concluded plus the VAT stipulated by law will apply.

(2) In the case of a sales shipment (§ 5 paragraph 1), the Purchaser will pay the costs of transport from the warehouse as well as any transport insurance requested by the Purchaser.

(3) The freight-paid limit begins at 500.00 € net goods value in the case of a closed order, without unloading, within Germany (excluding the German islands) and ex factory below 500.00 € net goods value.

(4) We charge 10.00 € minimum quality surcharge on deliveries of less than 150.00 € net goods value.

(5) A third-party delivery surcharge of 8 % of the net goods value will be charged on orders that are not delivered to the Purchaser's warehouse.

(6) The purchase price is due and payable immediately. We grant a quick-payment discount of 3 % in the event of payment within 8 days of the invoice and delivery or formal acceptance of the Products. We grant 2 % quick-payment discount in the case of payment within 14 days or no quick-payment discount should payment be made within 30 days. We grant 4 % quick-payment discount in the case of direct debit. We are however entitled at any time, even as part of a continuous business relationship, only to deliver all or part of the shipment in return for payment in advance. We will notify such a reservation at the latest with the order confirmation.

(7) The Purchaser will be in arrears 30 days after the payment deadline has expired. The interest rate on arrears stipulated by law will be charged on the purchase price whilst payment is in arrears. We reserve the right to claim additional damages on account of payment arrears. In relations with entrepreneurs, our right to claim the commercial interest rate after the due date (§ 353 of the Commercial Code (HGB) is not affected.

(8) The Purchaser is only entitled to offset claims and to withhold payment provided its claim has been established in law or is undisputed. In the event of defects in a delivery, the Purchaser's counter-claims, particularly in accordance with section 8 paragraph 6 sentence 2 of these SCS, are unaffected.

(9) Should it become clear after the contract has been concluded (e.g. though an application for the initiation of insolvency proceedings), that our claim to the purchase price is endangered due to lack of ability on the part of the Purchaser to perform, we will be entitled to refuse performance in accordance with the provisions of the law and – if applicable, after having granted a grace period – to rescind the contract (§ 321 BGB). In the case of contracts for the manufacture of products which are not inter-changeable (individual constructions), we may declare rescission immediately; this will not affect the provisions of the law relating to the necessity of setting a grace period.

7. Reservation of title

(1) We reserve title to the goods sold until all our current and future claims under the purchase contract and an ongoing business relationship (secured claims) are paid for in full.

(2) Goods subject to reservation of title may neither be mortgaged to third parties nor have title transferred by way of collateral until the secured claims are paid for in full. The Purchaser is required to notify us immediately in writing should insolvency proceedings be applied for or should third parties seize goods belonging to us (e.g. attachments).

(3) In the event of behaviour by the Purchaser in breach of contract, particularly non-payment of the purchase price once due, we are entitled, in accordance with the provisions of the law to rescind the contract and/or to demand the return of the Goods on account of reservation of title.

(4) The Purchaser is authorised until further notice in accordance with (c) below to continue to sell and/or to process reserved goods as part of its regular business activity. In this case, the following provisions will apply additionally.

(a) The reservation of title includes the full value of the products resulting from processing, mixing or combining our goods, whereby we are deemed to be the manufacturer. Should, in the event of processing, mixing or combining with goods belonging to third parties, these third parties retain their rights of ownership, we will acquire co-ownership in proportion to the invoice value of the processed, mixed or combined goods. Otherwise, the same will apply to the resulting product as applies to Goods delivered subject to reservation of title.

(b) The Purchaser cedes to us with immediate effect the receivables due from third parties created as a result of the re-sale of the Goods or the Products, either in their entirety or equal to any co-ownership we might have in accordance with the previous paragraph, as security. We accept the cession. The Purchaser's obligations referred to in paragraph 2 also apply with respect to the ceded receivables.

(c) In addition to us, the Purchaser is entitled to collect the receivables. We undertake not to collect the receivables as long as the Purchaser fulfils its payment obligations to us, as long as there is no deficiency in its ability to perform and we do not enforce the reservation of title by exercising a right in accordance with paragraph 3. Should this be the case, however, we may demand that the Purchaser inform us of the receivables ceded and their debtors as well as all information required to collect the receivables, hands over the relevant documents and notifies the debtors (third parties) of the cession. Moreover, in this case we are entitled to rescind the Purchaser's authority to continue to dispose of and to process the Goods subject to reservation of title.

(d) Should the realisable value of the collateral exceed our claims by more than 10 %, we will, at the Purchaser's request, release collateral of our choice.

8. Purchaser's warranty claims

(1) Unless anything different is agreed below, the Purchaser's rights in the event of quality and legal defects (including incorrect and deficient deliveries as well as incorrect assembly or incorrect assembly instructions) will be governed by the provisions of the law. In any event, the special provisions of the law relating to the final delivery of unprocessed Goods to a consumer are not affected, even should this consumer have further processed the goods (supplier's recourse in accordance with §§ 478 BGB). Claims derived from supplier's recourse are excluded should the defective goods have been further processed by the Purchaser or some other entrepreneur, e.g. as a result of installation in another product.

(2) Liability for defects is based above all on the agreement made on the nature of the Goods. All product descriptions which are the object of the individual contract will be considered an agreement on the nature of the goods.

(3) Should the nature of the goods not have been agreed, the provision, whether a defect is present or not (§ 434 paragraph 1 page 2 and 3 BGB) will be judged by the provision of the law. We assume no liability for statements made by third parties (e.g. advertising claims).

(4) Warranty claims by the Purchaser are conditional on it having fulfilled its legal obligations to examine the Goods and to report defects (§§ 377, 381 HGB). This also includes a visual check for transport damage and an immediate report to the freight forwarder/service provider in accordance with section 5 paragraph 1 of these SCS. Should a defect be identified at the time of the delivery, the examination or at some time subsequently, this must be notified to us immediately in writing. In any event, obvious defects must be reported in writing within five days of the delivery and defects not identified at the time of the examination must be reported in writing within the same period of time from when the defect is discovered. Should the Purchaser fail to carry out an examination correctly and/or fail to report defects correctly, our liability for the defect not reported or not reported on time or properly is excluded in accordance with the provisions of the law.

(5) Should the object delivered be defective, we may initially choose whether we provide subsequent fulfilment by eliminating the defect (rectification) or by the delivery of a defect-free object (replacement shipment). Our right to refuse subsequent fulfilment in accordance with the conditions provided for in law is not affected.

(6) We are entitled to make the required subsequent fulfilment dependent on whether the Purchaser has paid the purchase price due. The Purchaser is however entitled to withhold a reasonable part of the purchase price proportionate to the defect. Reasonable is generally double the costs required in order to remedy the defect.

(7) The Purchaser is required to grant us the time and opportunity required in order to carry out the subsequent fulfilment due, in particular to hand over the Goods complained of for purposes of examination. In the case of a replacement shipment, the Purchaser is required to return the defective object as required by law. Subsequent fulfilment does not include either dismantling or re-assembling the defective object should we originally not have been required to carry out assembly.

(8) We will reimburse the expenses required for examination and subsequent fulfilment, particularly the costs of transport, travel, labour and materials as well as, if applicable, those of dismantling and reassembly, in accordance with the requirements of the law, provided a defect is actually present. Otherwise, we may demand from the Purchaser the reimbursement of the costs of the unjustified request that the defect be eliminated (particularly the costs of examination and transportation), unless the fact that the object was not defective was not evident to the Purchaser.

(9) Should subsequent fulfilment fail or should a time-limit for subsequent fulfilment to be set by the Purchaser expire without the desired result or be unnecessary in accordance with the provisions of the law, the Purchaser may rescind the contract or reduce the purchase price. Should the defect be only minor however, there is no right to rescind the contract.

(10) Claims by the Purchaser for compensation or the reimbursement of costs incurred in vain with regard to defects are only admissible in accordance with § 8 and are otherwise excluded.

9. Other liability

(1) Unless these SCS including the following conditions provide for anything different, we are liable for the infringement of contractual and out-of-court obligations in accordance with the provisions of the law.

(2) We are liable for compensation – irrespective of the legal reason – in accordance with the law of negligence in cases of deliberate intent and gross negligence. In the event of minor

negligence, we are liable, subject to a lesser degree of liability in accordance with the provisions of the law (e.g. duty of care in one's own affairs), only a) for damage due to injury to life, limb or health, b) for damage due to a not inconsiderable infringement of a significant contractual obligation, the fulfilment of which makes the proper implementation of the contract possible at all and on whose compliance the contractual partner normally relies and may rely; in this case, our liability is however limited to compensation for the foreseeable damage typically incurred.

(3) The limitations of liability referred to paragraph 2 also apply to infringements of obligations of persons for whose negligence we are responsible according to the law. They do not apply should we have fraudulently concealed a defect or assumed a guarantee of the nature of the goods and to claims by the Purchaser in accordance with the German Law on Product Liability.

(4) The Purchaser may only rescind or terminate the contract on account of an infringement of an obligation that does not constitute a defect should we be responsible for the infringement of the liability. Free right to terminate on the part of the Purchaser (particularly in accordance with §§ 651, 649 BGB) is excluded. Otherwise, the conditions and legal consequences provided for in law will apply.

10. Time-limitation

(1) The Purchaser's claims will become time-expired within two years of the delivery of the Goods unless the Goods concerned are building materials and/or building modules used in the construction of buildings in accordance their normal intended use.

(2) Building materials and building modules that have been used in the construction of a building in accordance with their normal intended use and which have caused the building to have defects are governed by the provisions of the law.

11. Data processing / data protection

(1) We record, process and use personal data (e.g. name, delivery address, invoice address, telephone number, tax number etc.) that have become known as part of contractual relations and which are required in order to process orders. We also process third parties' data (final customers/ final consumers) transmitted to us by the Purchaser for the purpose of processing as part of the order. For its part, the Purchaser is responsible for processing the data in accordance with data protection within the meaning of the General Data Protection Regulation (GDPR for short) and the German Federal Data Protection Law (BDSG for short) within the meaning of these laws.

(2) We transmit data obtained as part of the business relationship with the Purchaser to external third parties

- for the purpose of preparing quotations,
- for order processing and invoicing purposes
- as part of fulfilling data processing tasks with service partners.

We oblige external third parties to ensure the confidentiality and security of the data. The volume of data transmitted is established contractually. Provided this is required in order to safeguard legitimate interests, we also transmit data to end customers/end users directly or through a contractual partner within the meaning of article 28 GDPR. In doing this, we ensure that the interests of the Purchaser and of end customers/end users worthy of protection are not impinged. Equally, the Purchaser is required to ensure when processing that the interests of end customers/end users worthy of protection are not impinged and that the provisions of the GDPR and BDSG are complied with. In this regard, the Purchaser will ensure in particular that there is a legal basis in accordance with GDPR und BDSG for processing end customers'/ end users' personal data. The Purchaser may ensure this by concluding contracts or by having secured end customer' consent to our further processing of personal data. The Purchaser will for its part also fulfil existing information obligations to its end customers/end users in accordance with GDPR. The Purchaser will inform the end customers'/end users in a way that can be proven that their personal data has been forwarded to us in order to carry out the order and for processing purposes.

(3) We reserve the right to obtain information from commercial information agents or credit insurers with regard to the Purchaser's credit rating for purposes of checking his creditworthiness and to report data to him – limited to cases of processing not according to contract, e.g. application for a dunning letter, with regard to an undisputed claim, enforcement order, sequestration measures. Data will only be transmitted provided that this is necessary in order to safeguard our legitimate interests. Balance sheet data will be handled confidentially and used solely for the purpose of credit checking. The Purchaser expressly gives his consent to the data processing described above. With regard to the processing of contractual partners' and final customers' personal data provided to us by the Purchaser for the purpose of carrying out the order, the Purchaser will irrefutably ensure with documentary evidence that the legal basis required for this purpose in accordance with the GDPR and the BDSG exists in our favour.

12. Choice of law and place of jurisdiction

(1) These SCS and the contractual relationship between ourselves and the Purchaser are subject to the law of the Federal Republic of Germany to the exclusion of international uniformity law, particularly UN purchasing law.

(2) Should the Purchaser be an entrepreneur within the meaning of the Commercial Code, a public-law legal entity or public-law special assets, the sole – also international – place of jurisdiction for all disputes arising directly or indirectly from the contractual relationship is our registered office (Lenting) Ingolstadt. The same will apply should the Purchaser be an entrepreneur within the meaning of § 14 BGB ist. We are however in any event entitled to lodge a claim at the place of performance of the delivery obligation in accordance with these SCS or with an individual agreement having precedence or at the Purchaser's general place of jurisdiction. This will not affect overriding provisions of the law, particularly with respect to exclusive responsibilities.

Lenting, 01.01.2019



The contents of this catalogue and its layout are the property of KESSEL AG and are copyright protected. Any copying of the catalogue or its individual contents is prohibited without the express permission of the owner and is subject to prosecution or civil judgements. All rights reserved.

Rights reserved for technical changes. Issue July 2019.

WEEE-Reg.-Nr. DE 86420036

KESSEL AG

Bahnhofstraße 31 • 85101 Lenting • Germany

www.kessel.de